

## CXX LD 42G

**Weidmüller Interface GmbH & Co. KG**  
Klingenbergstraße 26  
D-32758 Detmold  
Germany

[www.weidmueller.com](http://www.weidmueller.com)



Similar to illustration

### General ordering data

Version	CUBESERIES, LED module with freewheel diode, Rated control voltage: 24...60 V DC, Plug-in connection
Order No.	<a href="#">3053340000</a>
Type	CXX LD 42G
GTIN (EAN)	4099987023139
Qty.	20 items

## CXX LD 42G

**Weidmüller Interface GmbH & Co. KG**  
 Klingenbergstraße 26  
 D-32758 Detmold  
 Germany

www.weidmueller.com

## Technical data

### Approvals

ROHS	Conform
------	---------

### Dimensions and weights

Depth	25.7 mm	Depth (inches)	1.0118 inch
Height	9.2 mm	Height (inches)	0.3622 inch
Width	12.8 mm	Width (inches)	0.5039 inch
Net weight	2 g		

### Temperatures

Storage temperature	-40 °C...85 °C	Ambient temperature	-40 °C...70 °C
Operating temperature			

### Environmental Product Compliance

RoHS Compliance Status	Compliant without exemption
REACH SVHC	No SVHC above 0.1 wt%

### Control side

Rated control voltage	24...60 V DC	Rated current DC	4,9 mA
Status indicator	Green LED	Protective circuit	Free-wheeling diode

### General data

Colour	black		
UL94 flammability rating component	Component	Housing	
	UL94 flammability rating	V-2	

### Connection data

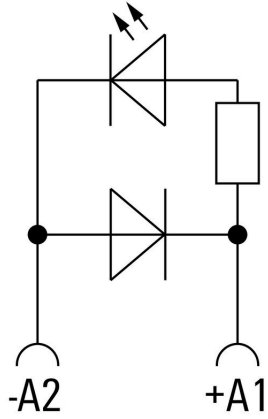
Wire connection method	Plug-in connection
------------------------	--------------------

### Classifications

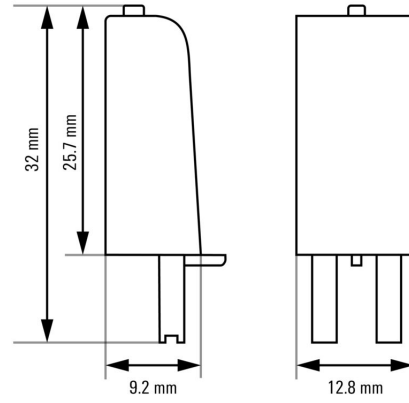
ETIM 8.0	EC002586	ETIM 9.0	EC002586
ETIM 10.0	EC002586	ECLASS 14.0	27-37-16-92
ECLASS 15.0	27-37-16-92		

Drawings

Connection diagram



Dimensional drawing



Miscellaneous

Type code CUBESERIES LED / protective module versions

