

CXX LD 41G

Weidmüller Interface GmbH & Co. KG
Klingenbergstraße 26
D-32758 Detmold
Germany

www.weidmueller.com



General ordering data

Version	CUBESERIES, LED module with freewheel diode, Rated control voltage: 6...24 V DC, Plug-in connection
Order No.	3053310000
Type	CXX LD 41G
GTIN (EAN)	4099987023115
Qty.	20 items

CXX LD 41G

Weidmüller Interface GmbH & Co. KG
 Klingenbergstraße 26
 D-32758 Detmold
 Germany

www.weidmueller.com

Technical data

Approvals

ROHS Conform

Dimensions and weights

Depth	25.7 mm	Depth (inches)	1.0118 inch
Height	9.2 mm	Height (inches)	0.3622 inch
Width	12.8 mm	Width (inches)	0.5039 inch
Net weight	2 g		

Temperatures

Storage temperature	-40 °C...85 °C	Ambient temperature	-40 °C...70 °C
Operating temperature			

Environmental Product Compliance

RoHS Compliance Status	Compliant without exemption
REACH SVHC	No SVHC above 0.1 wt%

Control side

Rated control voltage	6...24 V DC	Rated current DC	6.7 mA
Status indicator	Green LED	Protective circuit	Free-wheeling diode

General data

Colour	black		
UL94 flammability rating component	Component	Housing	
	UL94 flammability rating	V-2	

Connection data

Wire connection method Plug-in connection

Classifications

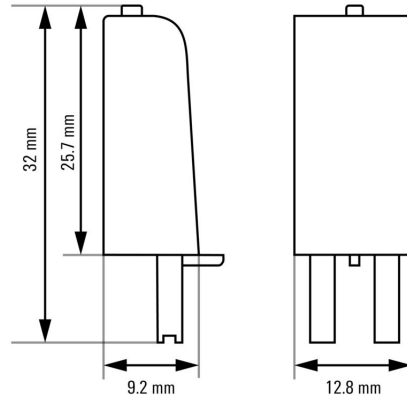
ETIM 8.0	EC002586	ETIM 9.0	EC002586
ETIM 10.0	EC002586	ECLASS 14.0	27-37-16-92
ECLASS 15.0	27-37-16-92		

Drawings

Connection diagram



Dimensional drawing



Miscellaneous

Type code CUBESERIES LED / protective module versions

