

CXM CLIP P

Weidmüller Interface GmbH & Co. KG

Klingenbergstraße 26

D-32758 Detmold

Germany

www.weidmueller.com



Retaining clips for CUBESERIES CRI relays.

Plastic retaining clip:

- With relay ejector function
- Marking slots for MultiFit markers
- Fits on relays with and without test button

Metal retaining clip:

- For a strong hold of the relay in the socket

General ordering data

Version	CUBESERIES, Retaining clip
Order No.	3053240000
Type	CXM CLIP P
GTIN (EAN)	409998702306 1
Qty.	10 items

CXM CLIP P

Weidmüller Interface GmbH & Co. KG
 Klingenbergstraße 26
 D-32758 Detmold
 Germany

www.weidmueller.com

Technical data

Approvals

ROHS	Conform
------	---------

Dimensions and weights

Depth	48.7 mm	Depth (inches)	1.9173 inch
Height	25.3 mm	Height (inches)	0.9961 inch
Width	25.7 mm	Width (inches)	1.0118 inch
Net weight	5 g		

Temperatures

Storage temperature	Operating temperature
---------------------	-----------------------

Environmental Product Compliance

RoHS Compliance Status	Compliant without exemption
REACH SVHC	No SVHC above 0.1 wt%

General data

Version	with marker holder	Basic material	Plastic
Colour	orange		

Classifications

ETIM 8.0	EC002586	ETIM 9.0	EC002586
ETIM 10.0	EC002586	ECLASS 14.0	27-37-16-92
ECLASS 15.0	27-37-16-92		

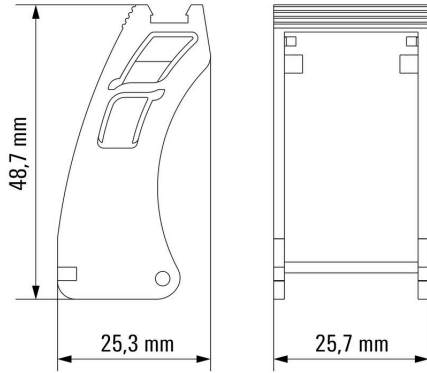
CXM CLIP P

Weidmüller Interface GmbH & Co. KG
Klingenbergstraße 26
D-32758 Detmold
Germany

Drawings

www.weidmueller.com

Dimensional drawing



Miscellaneous

Type code CUBESERIES accessories versions



CXM CLIP P

Weidmüller Interface GmbH & Co. KG

Klingenbergstraße 26

D-32758 Detmold

Germany

Accessories

www.weidmueller.com

MultiFit



MultiMark MultiFit

For connectors from competitors.

The elastic surface finish makes for simple installation. This special material enables the strips to be stretched to accommodate slight variations in spacing, especially with long terminal blocks.

A print resolution of 300 dpi also produces a very legible script. Your benefits with MultiMark

- Firm hold and durable printing
- Continuous strips save installation time
- Easy mounting thanks to an innovative composite material
- Large label field for optimal legibility
- High flexibility thanks to manufacturer independence
- Firm hold and durable printing
- Continuous strips save installation time
- Easy mounting thanks to an innovative composite material
- Large label field for optimal legibility
- High flexibility thanks to manufacturer independence
-] • Firm hold and durable printing
- Continuous strips save installation time
- Easy mounting thanks to an innovative composite material
- Large label field for optimal legibility
- High flexibility thanks to manufacturer independence

General ordering data

Type	MF 10/3.5 MM WS	Version
Order No.	2885970000	Terminal marker, 10 x 3.5 mm, Pitch in mm (P): 3.50 white
GTIN (EAN)	4064675854579	
Qty.	850 ST	
Type	MF 10/4.2 MM WS	Version
Order No.	2885980000	Terminal marker, 10 x 4.2 mm, Pitch in mm (P): 4.20 white
GTIN (EAN)	4064675854586	
Qty.	750 ST	
Type	MF 10/6 MM WS	Version
Order No.	2519180000	Terminal marker, 10 x 6 mm, white
GTIN (EAN)	4050118531404	
Qty.	500 ST	
Type	MF 10/5 MM WS	Version
Order No.	2519170000	Terminal marker, 10 x 5 mm, white
GTIN (EAN)	4050118531190	
Qty.	600 ST	
Type	MF 10/7.6 MM WS	Version
Order No.	2885990000	Terminal marker, 10 x 7.6 mm, Pitch in mm (P): 7.60 white
GTIN (EAN)	4064675854593	
Qty.	400 ST	
Type	MF 10/8 MM WS	Version
Order No.	2519190000	Terminal marker, 10 x 8 mm, white
GTIN (EAN)	4050118531411	
Qty.	400 ST	

CXM CLIP P

Weidmüller Interface GmbH & Co. KG

Klingenbergstraße 26

D-32758 Detmold

Germany

www.weidmueller.com

Accessories

Type	MF 10/10 MM WS	Version
Order No.	2886000000	Terminal marker, 10 x 10 mm, white
GTIN (EAN)	4064675854609	
Qty.	300 ST	
Type	MF 10/12 MM WS	Version
Order No.	2886010000	Terminal marker, 10 x 12 mm, white
GTIN (EAN)	4064675854616	
Qty.	250 ST	
Type	MF 10/16 MM WS	Version
Order No.	2886020000	Terminal marker, 10 x 16 mm, white
GTIN (EAN)	4064675854623	
Qty.	150 ST	

Blank



MultiFit is the Weidmüller marker system used for other makes of terminals. Similar to the Weidmüller Dekafix, the markers of the MultiFit family are available ready-for-use with standard printing.

We recommend to carry out a test with sample markers on the terminals used when using MultiFit for the first time.

- One marker, suitable for different makes of terminals.
- Ready-to-use markers with standard printing
- Blank markers for printing with the PrintJet CONNECT or Plotter
- Delivery of individually printed markers according to customer CAE data or specifications
- One marking system for all applications

For custom printing: Please send us a file of our labeling software M-Print PRO or M-Print PRO Online (without installation) for your labeling specifications.

General ordering data

Type	MF 10/5 MC NE WS	Version
Order No.	1677160000	MultiFit, Terminal marker, 10 x 5 mm, Pitch in mm (P): 5.00 Phoenix,
GTIN (EAN)	4008190475505	Wieland, Legrand, Telemecanique, Entelec, white
Qty.	600 ST	
Type	MF 10/6 MC NE WS	Version
Order No.	1677220000	MultiFit, Terminal marker, 10 x 6 mm, Pitch in mm (P): 6.00 Phoenix,
GTIN (EAN)	4008190475529	Wieland, Legrand, Telemecanique, Entelec, white
Qty.	600 ST	
Type	MF 10/8 MC NE WS	Version
Order No.	1868440000	MultiFit, Terminal marker, 10 x 8 mm, Pitch in mm (P): 8.00 Phoenix,
GTIN (EAN)	4032248440023	Entelec, white
Qty.	350 ST	
Type	MF 10/10 MC NE WS	Version
Order No.	1856760000	MultiFit, Terminal marker, 10 x 10 mm, Pitch in mm (P): 10.00
GTIN (EAN)	4032248401031	Phoenix, Entelec, white
Qty.	200 ST	