

CXM CLIP P

Weidmüller Interface GmbH & Co. KG

Klingenbergstraße 26

D-32758 Detmold

Germany

www.weidmueller.com



Retaining clips for CUBESERIES CRI relays.

Plastic retaining clip:

- With relay ejector function
- Marking slots for MultiFit markers
- Fits on relays with and without test button

Metal retaining clip:

- For a strong hold of the relay in the socket

General ordering data

Version	CUBESERIES, Retaining clip
Order No.	3053240000
Type	CXM CLIP P
GTIN (EAN)	409998702306 1
Qty.	10 items

CXM CLIP P

Weidmüller Interface GmbH & Co. KG
 Klingenbergstraße 26
 D-32758 Detmold
 Germany

www.weidmueller.com

Technical data

Approvals

ROHS	Conform
------	---------

Dimensions and weights

Depth	48.7 mm	Depth (inches)	1.9173 inch
Height	25.3 mm	Height (inches)	0.9961 inch
Width	25.7 mm	Width (inches)	1.0118 inch
Net weight	5 g		

Temperatures

Storage temperature	Operating temperature
---------------------	-----------------------

Environmental Product Compliance

RoHS Compliance Status	Compliant without exemption
REACH SVHC	No SVHC above 0.1 wt%

General data

Version	with marker holder	Basic material	Plastic
Colour	orange		

Classifications

ETIM 8.0	EC002586	ETIM 9.0	EC002586
ETIM 10.0	EC002586	ECLASS 14.0	27-37-16-92
ECLASS 15.0	27-37-16-92		

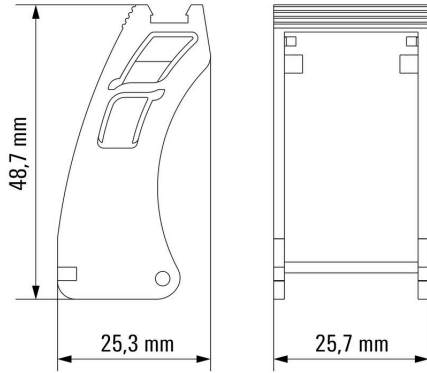
CXM CLIP P

Weidmüller Interface GmbH & Co. KG
Klingenbergstraße 26
D-32758 Detmold
Germany

Drawings

www.weidmueller.com

Dimensional drawing



Miscellaneous

Type code CUBESERIES accessories versions

