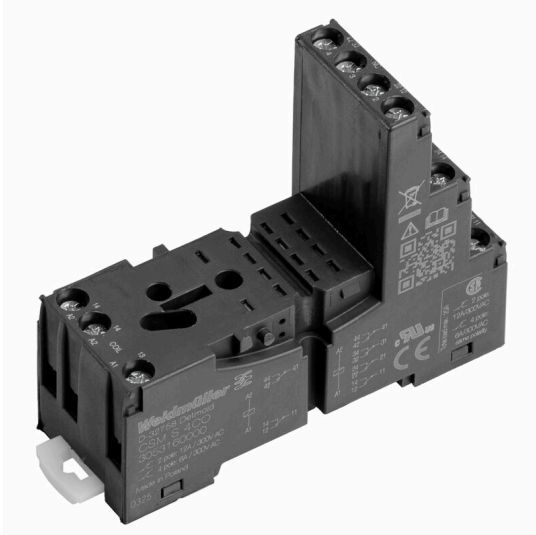


CSM S 4CO

Weidmüller Interface GmbH & Co. KG

Klingenbergstraße 26
D-32758 Detmold
Germany

www.weidmueller.com



Relay sockets for the CUBESERIES CRM relays

- 4 CO output version for 2 CO and 4 CO relays
- Screw and PUSH IN connection
- PUSH IN sockets with wide pushers for screwdrivers up to 1.0 x 5.5 mm blade size
- Various cross connection possibilities
- Matching accessories such as cross-connections, retaining clips and LED modules

General ordering data

Version	CUBESERIES, Relay socket, Number of contacts: 4, CO contact, Continuous current: 6 A, Screw connection
Order No.	3053160000
Type	CSM S 4CO
GTIN (EAN)	4099987022989
Qty.	10 items

CSM S 4CO

Weidmüller Interface GmbH & Co. KG

Klingenbergstraße 26

D-32758 Detmold

Germany

www.weidmueller.com

Technical data

Approvals

Approvals



ROHS Conform

UL File Number Search [UL Website](#)

Certificate No. (cURus) E223759

Dimensions and weights

Depth	61 mm	Depth (inches)	2.4016 inch
Height	75 mm	Height (inches)	2.9527 inch
Width	27 mm	Width (inches)	1.063 inch
Net weight	73.6 g		

Temperatures

Storage temperature	Ambient temperature	-40 °C...70 °C
Operating temperature		

Environmental Product Compliance

RoHS Compliance Status	Compliant without exemption
REACH SVHC	No SVHC above 0.1 wt%

Rated data UL

Certificate No. (cURus)	E223759
-------------------------	---------

Control side

Status indicator	No
------------------	----

Load side

Continuous current	12 A @ 2 CO; 6 A @ 4 CO	Max. switching voltage, AC	300 V
Contact type	4 CO contact		

General data

Operating altitude	≤ 2000 m, above sea level		
Mounting rail	TS 35		
Colour	black		
UL 94 flammability rating	V-2		
UL94 flammability rating component	Component	Socket	
	UL94 flammability rating	V-2	

Insulation coordination

Surge voltage category	II	Dielectric strength for control side - load 4 kVeff / 1 Min. side	
Dielectric strength of neighbouring contacts	3 kVeff / 1 Min.	Dielectric strength to mounting rail	4 kVeff / 1 Min.
Impulse withstand voltage	3 kV	Protection degree	IP20

CSM S 4C0

Weidmüller Interface GmbH & Co. KG

Klingenbergstraße 26
D-32758 Detmold
Germany

www.weidmueller.com

Technical data

Further details of approvals / standards

Certificate No. (CSA)	607178-80219312	Certificate No. (cURus)	E223759
-----------------------	-----------------	-------------------------	---------

Connection data

Wire connection method	Screw connection	Stripping length, rated connection	8 mm
Tightening torque, min.	0.7 Nm	Clamping range, rated connection	2.5 mm ²
Clamping range, min.	0.75 mm ²	Clamping range, max.	4 mm ²
Wire cross-section, solid, min.	0.75 mm ²	Wire cross-section, solid, max.	4 mm ²
Wire cross-section, solid, min. (AWG)	AWG 20	Wire cross-section, solid, max. (AWG)	AWG 16
Wire connection cross section, finely stranded, min.	0.75 mm ²	Wire connection cross section, finely stranded, max.	4 mm ²
Wire cross-section, finely stranded, min. (AWG)	AWG 24	Wire cross-section, finely stranded, max. (AWG)	AWG 16
Wire connection cross-section, finely stranded with wire-end ferrules DIN 46228/4, min.	0.75 mm ²	Wire connection cross-section, finely stranded with wire-end ferrules DIN 46228/4, max.	4 mm ²
Twin wire-end ferrules, min.	1.5 mm ²	Twin wire-end ferrules, max.	2.5 mm ²
Blade size	PZ 1		

Classifications

ETIM 8.0	EC001456	ETIM 9.0	EC001456
ETIM 10.0	EC001456	ECLASS 14.0	27-37-16-03
ECLASS 15.0	27-37-16-03		

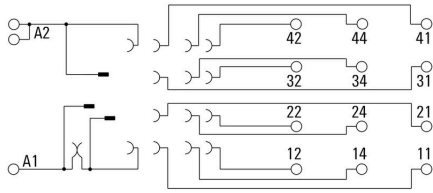
CSM S 4C0

Weidmüller Interface GmbH & Co. KG
Klingenbergstraße 26
D-32758 Detmold
Germany

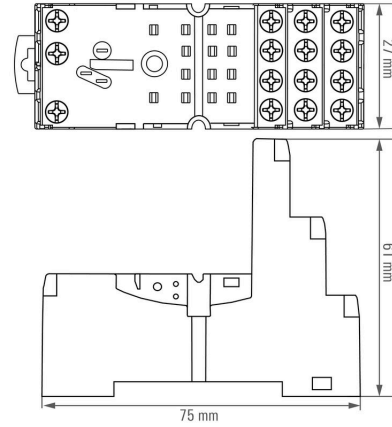
www.weidmueller.com

Drawings

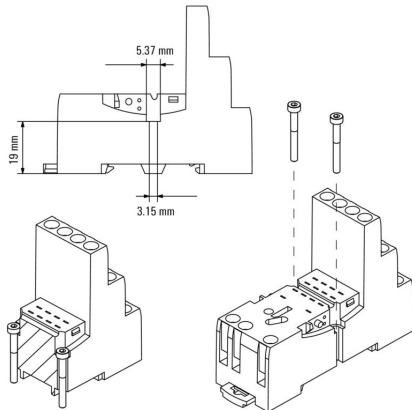
Wiring diagram



Dimensional drawing

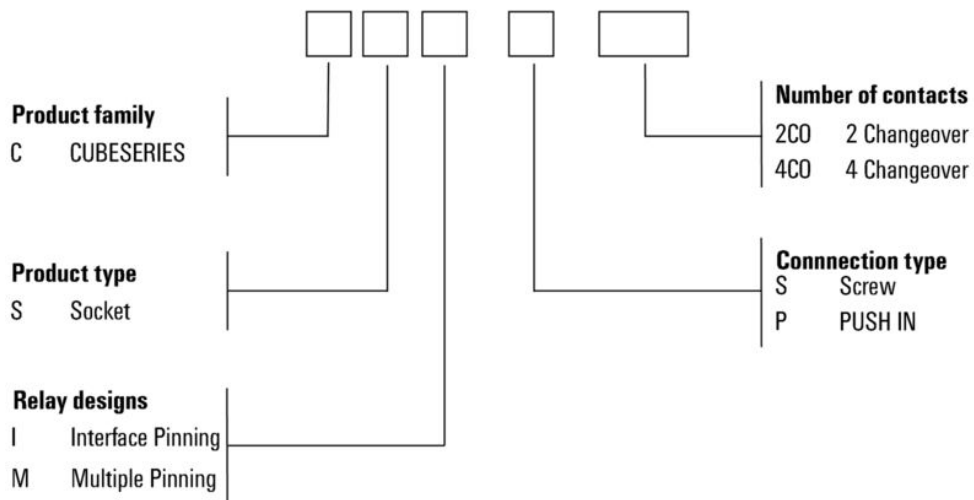


Dimensional drawing



Miscellaneous

Type code CUBESERIES socket versions



CSM S 4C0

Weidmüller Interface GmbH & Co. KG
 Klingenbergstraße 26
 D-32758 Detmold
 Germany

www.weidmueller.com

Accessories

LED



General ordering data

Type	CXX L 61G	Version
Order No.	3053420000	CUBESERIES, LED module, Rated control voltage: 6...24 V UC, Plug-in connection
GTIN (EAN)	4099987023207	
Qty.	20 ST	
Type	CXX L 61R	Version
Order No.	3053410000	CUBESERIES, LED module, Rated control voltage: 6...24 V UC, Plug-in connection
GTIN (EAN)	4099987023191	
Qty.	20 ST	
Type	CXX L 62G	Version
Order No.	3053440000	CUBESERIES, LED module, Rated control voltage: 24...60 V UC, Plug-in connection
GTIN (EAN)	4099987023221	
Qty.	20 ST	
Type	CXX L 62R	Version
Order No.	3053430000	CUBESERIES, LED module, Rated control voltage: 24...60 V UC, Plug-in connection
GTIN (EAN)	4099987023214	
Qty.	20 ST	
Type	CXX L 63G	Version
Order No.	3053460000	CUBESERIES, LED module, Rated control voltage: 110...230 V UC, Plug-in connection
GTIN (EAN)	4099987023245	
Qty.	20 ST	
Type	CXX L 63R	Version
Order No.	3053450000	CUBESERIES, LED module, Rated control voltage: 110...230 V UC, Plug-in connection
GTIN (EAN)	4099987023238	
Qty.	20 ST	

LED and free-wheel diode



CSM S 4C0

Weidmüller Interface GmbH & Co. KG
 Klingenbergstraße 26
 D-32758 Detmold
 Germany

www.weidmueller.com

Accessories

General ordering data

Type	CXX LD 41G	Version	
Order No.	3053310000	CUBESERIES, LED module with freewheel diode, Rated control	
GTIN (EAN)	4099987023115	voltage: 6...24 V DC, Plug-in connection	
Qty.	20 ST		
Type	CXX LD 41R	Version	
Order No.	3053290000	CUBESERIES, LED module with freewheel diode, Rated control	
GTIN (EAN)	4099987023108	voltage: 6...24 V DC, Plug-in connection	
Qty.	20 ST		

LED and free-wheeling diode



General ordering data

Type	CXX LD 42G	Version	
Order No.	3053340000	CUBESERIES, LED module with freewheel diode, Rated control	
GTIN (EAN)	4099987023139	voltage: 24...60 V DC, Plug-in connection	
Qty.	20 ST		

LED and free-wheel diode



General ordering data

Type	CXX LD 42R	Version	
Order No.	3053320000	CUBESERIES, LED module with freewheel diode, Rated control	
GTIN (EAN)	4099987023122	voltage: 24...60 V DC, Plug-in connection	
Qty.	20 ST		
Type	CXX LD 43G	Version	
Order No.	3053360000	CUBESERIES, LED module with freewheel diode, Rated control	
GTIN (EAN)	4099987023153	voltage: 110...230 V DC, Plug-in connection	
Qty.	20 ST		
Type	CXX LD 43R	Version	
Order No.	3053350000	CUBESERIES, LED module with freewheel diode, Rated control	
GTIN (EAN)	4099987023146	voltage: 110...230 V DC, Plug-in connection	
Qty.	20 ST		

CSM S 4C0

Weidmüller Interface GmbH & Co. KG

Klingenbergstraße 26

D-32758 Detmold

Germany

Accessories

www.weidmueller.com

Protection modules



General ordering data

Type	CXX D 21N	Version
Order No.	3053270000	CUBESERIES, Free-wheeling diode, Rated control voltage: 6...230 V
GTIN (EAN)	4099987023092	DC, Plug-in connection
Qty.	20 ST	
Type	CXX RC 51	Version
Order No.	3053370000	CUBESERIES, RC element, Rated control voltage: 6...24 V UC, Plug-in connection
GTIN (EAN)	4099987023160	
Qty.	20 ST	
Type	CXX RC 52	Version
Order No.	3053390000	CUBESERIES, RC element, Rated control voltage: 24...60 V UC, Plug-in connection
GTIN (EAN)	4099987023177	
Qty.	20 ST	
Type	CXX RC 53	Version
Order No.	3053400000	CUBESERIES, RC element, Rated control voltage: 110...230 V AC, Plug-in connection
GTIN (EAN)	4099987023184	
Qty.	20 ST	
Type	CXX V 71	Version
Order No.	3053470000	CUBESERIES, Protective varistor, Rated control voltage: 6...24 V AC, Plug-in connection
GTIN (EAN)	4099987023252	
Qty.	20 ST	
Type	CXX V 72	Version
Order No.	3053480000	CUBESERIES, Protective varistor, Rated control voltage: 110...130 V AC, Plug-in connection
GTIN (EAN)	4099987023269	
Qty.	20 ST	
Type	CXX V 73	Version
Order No.	3053490000	CUBESERIES, Protective varistor, Rated control voltage: 220...240 V AC, Plug-in connection
GTIN (EAN)	4099987023276	
Qty.	20 ST	

Cross-connections



CSM S 4C0

Weidmüller Interface GmbH & Co. KG
 Klingenbergstraße 26
 D-32758 Detmold
 Germany

www.weidmueller.com

Accessories

General ordering data

Type	CXM CCS 6P GY	Version	
Order No.	3053180000	CUBESERIES, Cross-connector	
GTIN (EAN)	4099987023009		
Qty.	2 ST		

Retaining clips



Retaining clips for CUBESERIES CRI relays.

Plastic retaining clip:

- With relay ejector function
- Marking slots for MultiFit markers
- Fits on relays with and without test button

Metal retaining clip:

- For a strong hold of the relay in the socket

General ordering data

Type	CXM CLIP M	Version	
Order No.	3053190000	CUBESERIES, Retaining clip	
GTIN (EAN)	4099987023016		
Qty.	25 ST		
Type	CXM CLIP P	Version	
Order No.	3053240000	CUBESERIES, Retaining clip	
GTIN (EAN)	4099987023061		
Qty.	10 ST		

Marker holder



General ordering data

Type	CXM LABEL FLAP S	Version	
Order No.	3169140000	CUBESERIES, Label	
GTIN (EAN)	4099987828055		
Qty.	50 ST		