

CSM S 4CO

Weidmüller Interface GmbH & Co. KG

Klingenbergstraße 26

D-32758 Detmold

Germany

www.weidmueller.com



Relay sockets for the CUBESERIES CRM relays

- 4 CO output version for 2 CO and 4 CO relays
- Screw and PUSH IN connection
- PUSH IN sockets with wide pushers for screwdrivers up to 1.0 x 5.5 mm blade size
- Various cross connection possibilities
- Matching accessories such as cross-connections, retaining clips and LED modules

General ordering data

Version	CUBESERIES, Relay socket, Number of contacts: 4, CO contact, Continuous current: 6 A, Screw connection
Order No.	3053160000
Type	CSM S 4CO
GTIN (EAN)	4099987022989
Qty.	10 items

CSM S 4CO

Weidmüller Interface GmbH & Co. KG

Klingenbergstraße 26

D-32758 Detmold

Germany

www.weidmueller.com

Technical data

Approvals

Approvals



ROHS Conform

UL File Number Search [UL Website](#)

Certificate No. (cURus) E223759

Dimensions and weights

Depth	61 mm	Depth (inches)	2.4016 inch
Height	75 mm	Height (inches)	2.9527 inch
Width	27 mm	Width (inches)	1.063 inch
Net weight	73.6 g		

Temperatures

Storage temperature	Ambient temperature	-40 °C...70 °C
Operating temperature		

Environmental Product Compliance

RoHS Compliance Status	Compliant without exemption
REACH SVHC	No SVHC above 0.1 wt%

Rated data UL

Certificate No. (cURus)	E223759
-------------------------	---------

Control side

Status indicator	No
------------------	----

Load side

Continuous current	12 A @ 2 CO; 6 A @ 4 CO	Max. switching voltage, AC	300 V
Contact type	4 CO contact		

General data

Operating altitude	≤ 2000 m, above sea level		
Mounting rail	TS 35		
Colour	black		
UL 94 flammability rating	V-2		
UL94 flammability rating component	Component	Socket	
	UL94 flammability rating	V-2	

Insulation coordination

Surge voltage category	II	Dielectric strength for control side - load 4 kVeff / 1 Min. side	
Dielectric strength of neighbouring contacts	3 kVeff / 1 Min.	Dielectric strength to mounting rail	4 kVeff / 1 Min.
Impulse withstand voltage	3 kV	Protection degree	IP20

CSM S 4C0

Weidmüller Interface GmbH & Co. KG
 Klingenbergstraße 26
 D-32758 Detmold
 Germany

www.weidmueller.com

Technical data

Further details of approvals / standards

Certificate No. (CSA)	607178-80219312	Certificate No. (cURus)	E223759
-----------------------	-----------------	-------------------------	---------

Connection data

Wire connection method	Screw connection	Stripping length, rated connection	8 mm
Tightening torque, min.	0.7 Nm	Clamping range, rated connection	2.5 mm ²
Clamping range, min.	0.75 mm ²	Clamping range, max.	4 mm ²
Wire cross-section, solid, min.	0.75 mm ²	Wire cross-section, solid, max.	4 mm ²
Wire cross-section, solid, min. (AWG)	AWG 20	Wire cross-section, solid, max. (AWG)	AWG 16
Wire connection cross section, finely stranded, min.	0.75 mm ²	Wire connection cross section, finely stranded, max.	4 mm ²
Wire cross-section, finely stranded, min. (AWG)	AWG 24	Wire cross-section, finely stranded, max. (AWG)	AWG 16
Wire connection cross-section, finely stranded with wire-end ferrules DIN 46228/4, min.	0.75 mm ²	Wire connection cross-section, finely stranded with wire-end ferrules DIN 46228/4, max.	4 mm ²
Twin wire-end ferrules, min.	1.5 mm ²	Twin wire-end ferrules, max.	2.5 mm ²
Blade size	PZ 1		

Classifications

ETIM 8.0	EC001456	ETIM 9.0	EC001456
ETIM 10.0	EC001456	ECLASS 14.0	27-37-16-03
ECLASS 15.0	27-37-16-03		

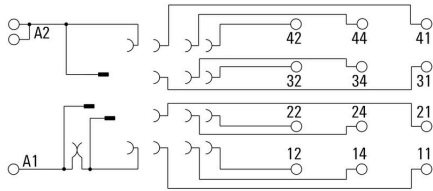
CSM S 4C0

Weidmüller Interface GmbH & Co. KG
Klingenbergstraße 26
D-32758 Detmold
Germany

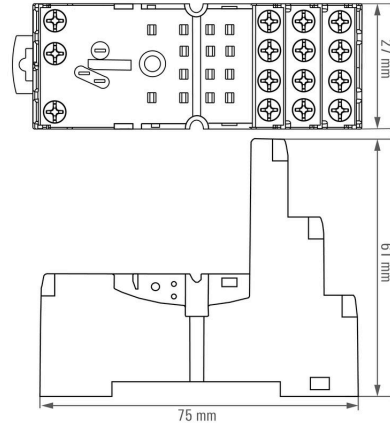
www.weidmueller.com

Drawings

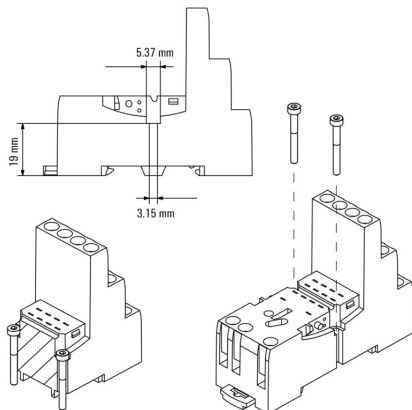
Wiring diagram



Dimensional drawing



Dimensional drawing



Miscellaneous

Type code CUBESERIES socket versions

