

**CSM P 4CO**
**Weidmüller Interface GmbH & Co. KG**

Klingenbergstraße 26

D-32758 Detmold

Germany

www.weidmueller.com



Relay sockets for the CUBESERIES CRM relays

- 4 CO output version for 2 CO and 4 CO relays
- Screw and PUSH IN connection
- PUSH IN sockets with wide pushers for screwdrivers up to 1.0 x 5.5 mm blade size
- Various cross connection possibilities
- Matching accessories such as cross-connections, retaining clips and LED modules

**General ordering data**

Version	CUBESERIES, Relay socket, Number of contacts: 4, CO contact, Continuous current: 8 A, PUSH IN
Order No.	<a href="#">3053140000</a>
Type	CSM P 4CO
GTIN (EAN)	4099987022965
Qty.	10 items

## CSM P 4CO

Weidmüller Interface GmbH &amp; Co. KG

Klingenbergstraße 26

D-32758 Detmold

Germany

www.weidmueller.com

## Technical data

## Approvals

Approvals



ROHS Conform

UL File Number Search [UL Website](#)

Certificate No. (cURus) E223759

## Dimensions and weights

Depth	45.9 mm	Depth (inches)	1.8071 inch
Height	97 mm	Height (inches)	3.8189 inch
Width	31 mm	Width (inches)	1.2205 inch
Net weight	75 g		

## Temperatures

Storage temperature	Ambient temperature	-40 °C...70 °C
Operating temperature	Humidity	40 °C / 93 % rel. humidity, no condensation

## Environmental Product Compliance

RoHS Compliance Status	Compliant without exemption
REACH SVHC	No SVHC above 0.1 wt%

## Rated data UL

Certificate No. (cURus) E223759

## Control side

Status indicator No

## Load side

Rated switching voltage	250 V AC	Continuous current	12 A @ 2 CO; 8 A @ 4 CO
Max. switching voltage, AC	300 V	Contact type	4 CO contact

## General data

Operating altitude	≤ 2000 m, above sea level		
Mounting rail	TS 35		
Colour	black		
UL 94 flammability rating	V-0		
UL94 flammability rating component	Component	Socket	
	UL94 flammability rating	V-0	
	Component	Housing	
	UL94 flammability rating	V-0	

## Insulation coordination

Rated voltage	300 V	Pollution severity	2
Surge voltage category	II	Insulating material group	IIIa

## CSM P 4CO

**Weidmüller Interface GmbH & Co. KG**

Klingenbergstraße 26  
D-32758 Detmold  
Germany

[www.weidmueller.com](http://www.weidmueller.com)

## Technical data

Dielectric strength for control side - load side	4 kVeff / 1 Min.
Dielectric strength to mounting rail	3 kVeff / 1 min.
Protection degree	IP20

Dielectric strength of neighbouring contacts	3 KVeff / 1 Min.
Impulse withstand voltage	3 kV

### Further details of approvals / standards

Certificate No. (CSA)	607178-80219312	Certificate No. (cURus)	E223759
-----------------------	-----------------	-------------------------	---------

### Connection data

Wire connection method	PUSH IN	Stripping length, rated connection	8 mm
Clamping range, rated connection	1.5 mm <sup>2</sup>	Clamping range, min.	0.5 mm <sup>2</sup>
Clamping range, max.	1.5 mm <sup>2</sup>	Wire cross-section, solid, min.	0.5 mm <sup>2</sup>
Wire cross-section, solid, min. (AWG)	AWG 20	Wire cross-section, solid, max. (AWG)	AWG 16
Wire connection cross section, finely stranded, max.	1.5 mm <sup>2</sup>	Wire cross-section, finely stranded, min. (AWG)	AWG 24
Wire cross-section, finely stranded, max. (AWG)	AWG 16	Wire connection cross-section, finely stranded with wire-end ferrules DIN 46228/4, max.	1 mm <sup>2</sup>
Twin wire-end ferrules, max.	1.5 mm <sup>2</sup>	Blade size	0.6 x 3.5 mm

### Classifications

ETIM 8.0	EC001456	ETIM 9.0	EC001456
ETIM 10.0	EC001456	ECLASS 14.0	27-37-16-03
ECLASS 15.0	27-37-16-03		

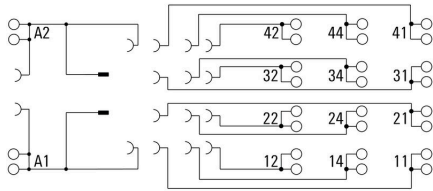
CSM P 4CO

Weidmüller Interface GmbH & Co. KG  
 Klingenbergstraße 26  
 D-32758 Detmold  
 Germany

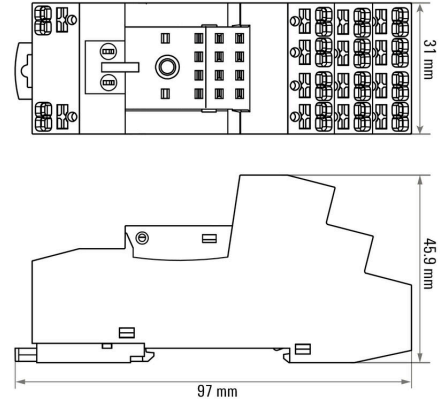
Drawings

www.weidmueller.com

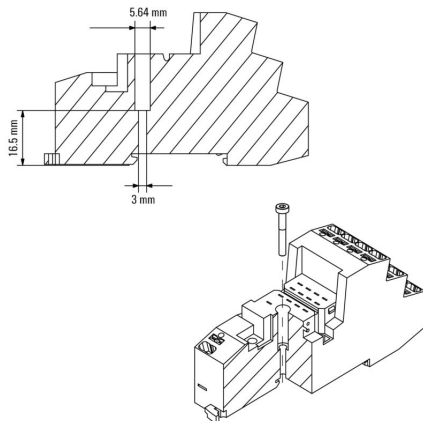
Wiring diagram



Dimensional drawing

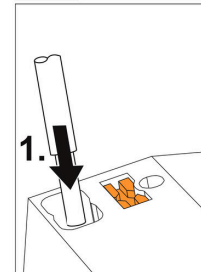


Dimensional drawing



Miscellaneous

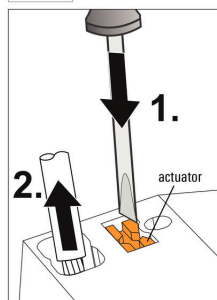
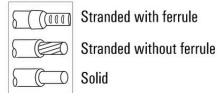
Insert flexible and solid cables



Solid wires can be inserted without opening the terminal.

Miscellaneous

Removal of cables



Push the actuator with a screwdriver to remove the wire.

Miscellaneous

## Type code CUBESERIES socket versions

