

**CRM40024TLD****Weidmüller Interface GmbH & Co. KG**

Klingenbergstraße 26

D-32758 Detmold

Germany

www.weidmueller.com



Individual relays within the CUBESERIES CRM

- Control voltages from 12 - 110 V DC and 24 - 230V AC
- 4 CO contact (7 A)
- With test buttons with colour coding (DC coil: blue)
- Integrated green status LED and free-wheeling diode
- With mechanical status indicator

**General ordering data**

Version	CUBESERIES, Relay, Number of contacts: 4, CO contact AgNi, Rated control voltage: 24 V DC, Continuous current: 7 A, Plug-in connection, Test button available: Yes
Order No.	<a href="#">3053080000</a>
Type	CRM40024TLD
GTIN (EAN)	4099987022903
Qty.	10 items

## Technical data

## Approvals

Approvals



ROHS Conform

UL File Number Search [UL Website](#)

Certificate No. (cURus) E223474

## Dimensions and weights

Depth	35.5 mm	Depth (inches)	1.3976 inch
Height	27.4 mm	Height (inches)	1.0787 inch
Width	21 mm	Width (inches)	0.8268 inch
Net weight	33 g		

## Temperatures

Storage temperature	-40 °C...85 °C	Ambient temperature	-40 °C...70 °C
Operating temperature		Humidity	25 °C / 95 % rel. humidity, no condensation

## Environmental Product Compliance

RoHS Compliance Status	Compliant without exemption
REACH SVHC	No SVHC above 0.1 wt%

## Rated data UL

Certificate No. (cURus)	E223474
-------------------------	---------

## Control side

Rated control voltage	24 V DC	Rated current DC	37.8 mA
Power rating	0.9 W	Coil resistance	640 Ω ± 10 %
Status indicator	Green LED	Protective circuit	Free-wheeling diode

## Load side

Rated switching voltage	250 V AC	Continuous current	7 A
Max. switching frequency at rated load	0.1 Hz	Max. switching voltage, AC	250 V
Inrush current	16 A / 20 ms	AC switching capacity (resistive), max.	1500 VA
DC switching capacity (resistive), max.	168 W @ 24 V	Switch-on delay	≤ 20 ms
Switch-off delay	≤ 20 ms	Contact type	4 CO contact (AgNi)
Mechanical service life	2 x 10 <sup>7</sup> switching cycles	Min. switching power	10 mA @ 12 V, 100 mA @ 5 V

## General data

Operating altitude	≤ 2000 m, above sea level	Test button available	Yes
Version of test button	Lockable test button, Momentary test button	Mechanical switch position indicator	Yes
Colour	Transparent	UL 94 flammability rating	V-2

## CRM40024TLD

**Weidmüller Interface GmbH & Co. KG**  
 Klingenbergstraße 26  
 D-32758 Detmold  
 Germany

www.weidmueller.com

## Technical data

### Insulation coordination

Rated voltage	250 V	Pollution severity	2
Surge voltage category	II	Dielectric strength for control side - load side	2.5 kVeff / 1 Min.
Dielectric strength of neighbouring contacts	2 kVeff / 1 min	Dielectric strength of open contact	1.5 kVeff / 1 min.
Impulse withstand voltage	4 kV (1.2/50 µs)	Protection degree	IP40

### Further details of approvals / standards

Certificate No. (CSA)	607178-80219312	Certificate No. (VDE)	40059812
Certificate No. (cURus)	E223474		

### Connection data

Wire connection method	Plug-in connection	Pitch in mm (P)	5.00 mm
------------------------	--------------------	-----------------	---------

### Classifications

ETIM 8.0	EC001437	ETIM 9.0	EC001437
ETIM 10.0	EC001437	ECLASS 14.0	27-37-16-01
ECLASS 15.0	27-37-16-01		

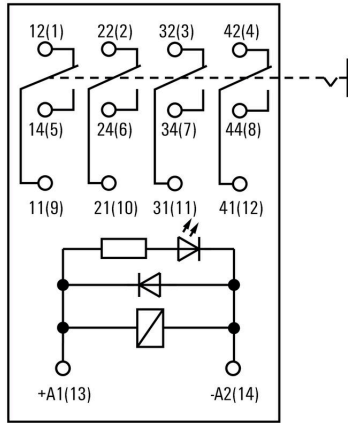
CRM40024TLD

Weidmüller Interface GmbH & Co. KG  
 Klingenbergstraße 26  
 D-32758 Detmold  
 Germany

www.weidmueller.com

Drawings

Connection diagram



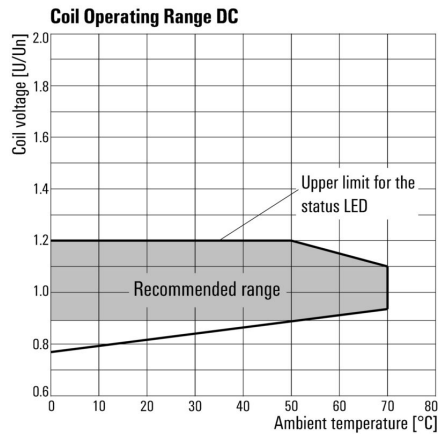
Graph



Graph



Graph



Dimensional drawing



Miscellaneous

**Type code CUBESERIES relay versions**



Type codes