

CRM20110

Weidmüller Interface GmbH & Co. KG

Klingenbergstraße 26

D-32758 Detmold

Germany

www.weidmueller.com



Similar to illustration

Individual relays within the CUBESERIES CRM

- Control voltages from 12 - 110 V DC and 24 - 230V AC
- 2 CO contact (12 A)
- Without test button with coloured blind plugs (AC coil: orange, DC coil: blue)
- With test button Individual relays within the CUBESERIES CRM
- Control voltages from 12 - 110 V DC and 24 - 230V AC
- 2 CO contact (12 A)
- With test buttons with colour coding (AC coil: orange, DC coil: blue)
- With mechanical status indicator

General ordering data

Version	CUBESERIES, Relay, Number of contacts: 2, CO contact AgNi, Rated control voltage: 110 V DC, Continuous current: 12 A, Plug-in connection, Test button available: No
Order No.	3052750000
Type	CRM20110
GTIN (EAN)	4099987022552
Qty.	10 items

CRM20110

Weidmüller Interface GmbH & Co. KG
Klingenbergstraße 26
D-32758 Detmold
Germany

www.weidmueller.com

Technical data

Approvals

Approvals



ROHS	Conform
UL File Number Search	UL Website
Certificate No. (cURus)	E223474

Dimensions and weights

Depth	35.5 mm	Depth (inches)	1.3976 inch
Height	27.4 mm	Height (inches)	1.0787 inch
Width	21 mm	Width (inches)	0.8268 inch
Net weight	35 g		

Temperatures

Storage temperature	-40 °C...85 °C	Ambient temperature	-40 °C...70 °C
Operating temperature		Humidity	25 °C / 95 % rel. humidity, no condensation

Environmental Product Compliance

RoHS Compliance Status	Compliant without exemption
REACH SVHC	No SVHC above 0.1 wt%

Rated data UL

Certificate No. (cURus)	E223474
-------------------------	---------

Control side

Rated control voltage	110 V DC	Rated current DC	8.3 mA
Power rating	0.9 W	Coil resistance	13600 Ω ± 10 %
Status indicator	No		

Load side

Rated switching voltage	250 V AC	Continuous current	12 A
Max. switching frequency at rated load	0.1 Hz	Max. switching voltage, AC	250 V
Max. switching voltage, DC	250 V	AC switching capacity (resistive), max.	3000 VA
DC switching capacity (resistive), max.	288 W @ 24 V	Switch-on delay	≤ 20 ms
Switch-off delay	≤ 6 ms	Contact type	2 CO contact (AgNi)
Mechanical service life	2 x 10 ⁷ switching cycles	Min. switching power	10 mA @ 12 V, 100 mA @ 5 V

General data

Operating altitude	≤ 2000 m, above sea level	Test button available	No
Mechanical switch position indicator	Yes	Colour	Transparent
UL 94 flammability rating	V-2		

Technical data

Insulation coordination

Rated voltage	250 V	Pollution severity	3
Surge voltage category	III	Dielectric strength for control side - load side	2.5 kVeff/ 1 min
Dielectric strength of neighbouring contacts	2.5 kVeff/ 1 min	Dielectric strength of open contact	1.5 kVeff /1 min.
Impulse withstand voltage	4 kV (1.2/50 µs)	Protection degree	IP40

Further details of approvals / standards

Certificate No. (CSA)	607178-80219312	Certificate No. (VDE)	40059812
Certificate No. (cURus)	E223474		

Connection data

Wire connection method	Plug-in connection	Pitch in mm (P)	5.00 mm
------------------------	--------------------	-----------------	---------

Classifications

ETIM 8.0	EC001437	ETIM 9.0	EC001437
ETIM 10.0	EC001437	ECLASS 14.0	27-37-16-01
ECLASS 15.0	27-37-16-01		

Connection diagram



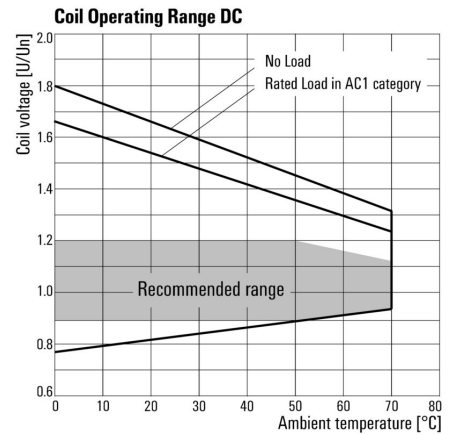
Graph



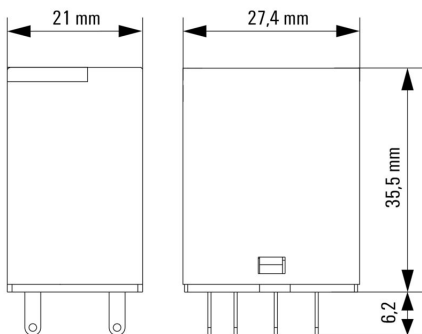
Graph



Graph



Dimensional drawing



Miscellaneous

Type code CUBESERIES relay versions



Type codes

CRM20110

Weidmüller Interface GmbH & Co. KG
 Klingenbergstraße 26
 D-32758 Detmold
 Germany

www.weidmueller.com

Accessories

Protection modules



General ordering data

Type	CXX D 21N	Version	
Order No.	3053270000	CUBESERIES, Free-wheeling diode, Rated control voltage: 6...230 V	
GTIN (EAN)	4099987023092	DC, Plug-in connection	
Qty.	20 ST		

LED and free-wheeling diode



General ordering data

Type	CXX LD 43G	Version	
Order No.	3053360000	CUBESERIES, LED module with freewheel diode, Rated control voltage: 110...230 V DC, Plug-in connection	
GTIN (EAN)	4099987023153		
Qty.	20 ST		

LED and free-wheel diode



General ordering data

Type	CXX LD 43R	Version	
Order No.	3053350000	CUBESERIES, LED module with freewheel diode, Rated control voltage: 110...230 V DC, Plug-in connection	
GTIN (EAN)	4099987023146		
Qty.	20 ST		

CRM20110

Weidmüller Interface GmbH & Co. KG

Klingenbergstraße 26

D-32758 Detmold

Germany

www.weidmueller.com

Accessories

LED



General ordering data

Type	CXX L 63G	Version	
Order No.	3053460000	CUBESERIES, LED module, Rated control voltage: 110...230 V UC,	
GTIN (EAN)	4099987023245	Plug-in connection	
Qty.	20 ST		
Type	CXX L 63R	Version	
Order No.	3053450000	CUBESERIES, LED module, Rated control voltage: 110...230 V UC,	
GTIN (EAN)	4099987023238	Plug-in connection	
Qty.	20 ST		

Relay sockets



Relay sockets for the CUBESERIES CRM relays

- 4 CO output version for 2 CO and 4 CO relays
- Screw and PUSH IN connection
- PUSH IN sockets with wide pushers for screwdrivers up to 1.0 x 5.5 mm blade size
- Various cross connection possibilities
- Matching accessories such as cross-connections, retaining clips and LED modules

General ordering data

Type	CSM P 4CO	Version	
Order No.	3053140000	CUBESERIES, Relay socket, Number of contacts: 4, CO contact,	
GTIN (EAN)	4099987022965	Continuous current: 8 A, PUSH IN	
Qty.	10 ST		
Type	CSM S 4CO	Version	
Order No.	3053160000	CUBESERIES, Relay socket, Number of contacts: 4, CO contact,	
GTIN (EAN)	4099987022989	Continuous current: 6 A, Screw connection	
Qty.	10 ST		

CRM20110

Weidmüller Interface GmbH & Co. KG

Klingenbergstraße 26

D-32758 Detmold

Germany

www.weidmueller.com

Accessories

Cross-connections



General ordering data

Type	CXM CCP 2P BL	Version
Order No.	3053230000	CUBESERIES, Cross-connector
GTIN (EAN)	4099987023054	
Qty.	20 ST	
Type	CXM CCP 2P RD	Version
Order No.	3053220000	CUBESERIES, Cross-connector
GTIN (EAN)	4099987023047	
Qty.	20 ST	
Type	CXM CCP 8P BL	Version
Order No.	3053210000	CUBESERIES, Cross-connector
GTIN (EAN)	4099987023030	
Qty.	10 ST	
Type	CXM CCP 8P RD	Version
Order No.	3053200000	CUBESERIES, Cross-connector
GTIN (EAN)	4099987023023	
Qty.	10 ST	
Type	CXM CCS 6P GY	Version
Order No.	3053180000	CUBESERIES, Cross-connector
GTIN (EAN)	4099987023009	
Qty.	2 ST	

Retaining clips



Retaining clips for CUBESERIES CRI relays.

Plastic retaining clip:

- With relay ejector function
- Marking slots for MultiFit markers
- Fits on relays with and without test button

Metal retaining clip:

- For a strong hold of the relay in the socket

General ordering data

Type	CXM CLIP P	Version
Order No.	3053240000	CUBESERIES, Retaining clip
GTIN (EAN)	4099987023061	
Qty.	10 ST	

CRM20110

Weidmüller Interface GmbH & Co. KG
Klingenbergstraße 26
D-32758 Detmold
Germany

www.weidmueller.com

Accessories

Type	CXM CLIP M	Version	
Order No.	3053190000	CUBESERIES, Retaining clip	
GTIN (EAN)	4099987023016		
Qty.	25 ST		

Cross-connections



General ordering data

Type	CXX JMP 2P BL	Version	
Order No.	3053260000	CUBESERIES, Cross-connector	
GTIN (EAN)	4099987023085		
Qty.	30 ST		
Type	CXX JMP 2P RD	Version	
Order No.	3053250000	CUBESERIES, Cross-connector	
GTIN (EAN)	4099987023078		
Qty.	30 ST		

Relay sockets



Relay sockets for the CUBESERIES CRM relays

- 4 CO output version for 2 CO and 4 CO relays
- Screw and PUSH IN connection
- PUSH IN sockets with wide pushers for screwdrivers up to 1.0 x 5.5 mm blade size
- Various cross connection possibilities
- Matching accessories such as cross-connections, retaining clips and LED modules

General ordering data

Type	CSM P 4CO	Version	
Order No.	3053140000		CUBESERIES, Relay socket, Number of contacts: 4, CO contact,
GTIN (EAN)	4099987022965		Continuous current: 8 A, PUSH IN
Qty.	10 ST		
Type	CSM S 4CO	Version	
Order No.	3053160000		CUBESERIES, Relay socket, Number of contacts: 4, CO contact,
GTIN (EAN)	4099987022989		Continuous current: 6 A, Screw connection
Qty.	10 ST		