

## CRM20024

Weidmüller Interface GmbH &amp; Co. KG

Klingenbergstraße 26

D-32758 Detmold

Germany

www.weidmueller.com



Similar to illustration

## Individual relays within the CUBESERIES CRM

- Control voltages from 12 - 110 V DC and 24 - 230V AC
- 2 CO contact (12 A)
- Without test button with coloured blind plugs (AC coil: orange, DC coil: blue)
- With test button Individual relays within the CUBESERIES CRM
- Control voltages from 12 - 110 V DC and 24 - 230V AC
- 2 CO contact (12 A)
- With test buttons with colour coding (AC coil: orange, DC coil: blue)
- With mechanical status indicator

## General ordering data

Version	CUBESERIES, Relay, Number of contacts: 2, CO contact AgNi, Rated control voltage: 24 V DC, Continuous current: 12 A, Plug-in connection, Test button available: No
Order No.	<a href="#">3052730000</a>
Type	CRM20024
GTIN (EAN)	4099987022538
Qty.	10 items

## Technical data

## Approvals

Approvals



ROHS Conform

UL File Number Search [UL Website](#)

Certificate No. (cURus) E223474

## Dimensions and weights

Depth	35.5 mm	Depth (inches)	1.3976 inch
Height	27.4 mm	Height (inches)	1.0787 inch
Width	21 mm	Width (inches)	0.8268 inch
Net weight	35 g		

## Temperatures

Storage temperature	-40 °C...85 °C	Ambient temperature	-40 °C...70 °C
Operating temperature		Humidity	25 °C / 95 % rel. humidity, no condensation

## Environmental Product Compliance

RoHS Compliance Status	Compliant without exemption
REACH SVHC	No SVHC above 0.1 wt%

## Rated data UL

Certificate No. (cURus)	E223474
-------------------------	---------

## Control side

Rated control voltage	24 V DC	Rated current DC	37.8 mA
Power rating	0.9 W	Coil resistance	640 Ω ± 10 %
Status indicator	No		

## Load side

Rated switching voltage	250 V AC	Continuous current	12 A
Max. switching frequency at rated load	0.1 Hz	Max. switching voltage, AC	250 V
Max. switching voltage, DC	250 V	AC switching capacity (resistive), max.	3000 VA
DC switching capacity (resistive), max.	288 W @ 24 V	Switch-on delay	≤ 20 ms
Switch-off delay	≤ 6 ms	Contact type	2 CO contact (AgNi)
Mechanical service life	2 x 10 <sup>7</sup> switching cycles	Min. switching power	10 mA @ 12 V, 100 mA @ 5 V

## General data

Operating altitude	≤ 2000 m, above sea level	Test button available	No
Mechanical switch position indicator	Yes	Colour	Transparent
UL 94 flammability rating	V-2		

## Technical data

### Insulation coordination

Rated voltage	250 V	Pollution severity	3
Surge voltage category	III	Dielectric strength for control side - load side	2.5 kVeff/ 1 min
Dielectric strength of neighbouring contacts	2.5 kVeff/ 1 min	Dielectric strength of open contact	1.5 kVeff /1 min.
Impulse withstand voltage	4 kV (1.2/50 µs)	Protection degree	IP40

### Further details of approvals / standards

Certificate No. (CSA)	607178-80219312	Certificate No. (VDE)	40059812
Certificate No. (cURus)	E223474		

### Connection data

Wire connection method	Plug-in connection	Pitch in mm (P)	5.00 mm
------------------------	--------------------	-----------------	---------

### Classifications

ETIM 8.0	EC001437	ETIM 9.0	EC001437
ETIM 10.0	EC001437	ECLASS 14.0	27-37-16-01
ECLASS 15.0	27-37-16-01		

Connection diagram



Graph



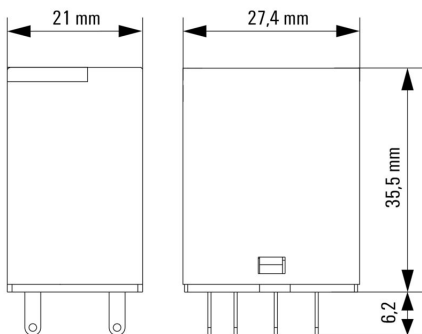
Graph



Graph



Dimensional drawing



Miscellaneous

**Type code CUBESERIES relay versions**



Type codes

## CRM20024

**Weidmüller Interface GmbH & Co. KG**  
 Klingenbergstraße 26  
 D-32758 Detmold  
 Germany

www.weidmueller.com

## Accessories

### Protection modules



#### General ordering data

Type	CXX D 21N	Version	
Order No.	<a href="#">3053270000</a>	CUBESERIES, Free-wheeling diode, Rated control voltage: 6...230 V	
GTIN (EAN)	4099987023092	DC, Plug-in connection	
Qty.	20 ST		

### LED and free-wheel diode



#### General ordering data

Type	CXX LD 41G	Version	
Order No.	<a href="#">3053310000</a>	CUBESERIES, LED module with freewheel diode, Rated control voltage: 6...24 V DC, Plug-in connection	
GTIN (EAN)	4099987023115		
Qty.	20 ST		
Type	CXX LD 41R	Version	
Order No.	<a href="#">3053290000</a>	CUBESERIES, LED module with freewheel diode, Rated control voltage: 6...24 V DC, Plug-in connection	
GTIN (EAN)	4099987023108		
Qty.	20 ST		

### LED and free-wheeling diode



## CRM20024

**Weidmüller Interface GmbH & Co. KG**  
 Klingenbergstraße 26  
 D-32758 Detmold  
 Germany

www.weidmueller.com

## Accessories

### General ordering data

Type	CXX LD 42G	Version	
Order No.	<a href="#">3053340000</a>	CUBESERIES, LED module with freewheel diode, Rated control	
GTIN (EAN)	4099987023139	voltage: 24...60 V DC, Plug-in connection	
Qty.	20 ST		

### LED and free-wheel diode



### General ordering data

Type	CXX LD 42R	Version	
Order No.	<a href="#">3053320000</a>	CUBESERIES, LED module with freewheel diode, Rated control	
GTIN (EAN)	4099987023122	voltage: 24...60 V DC, Plug-in connection	
Qty.	20 ST		

### LED



### General ordering data

Type	CXX L 61G	Version	
Order No.	<a href="#">3053420000</a>	CUBESERIES, LED module, Rated control voltage: 6...24 V UC, Plug-in	
GTIN (EAN)	4099987023207	connection	
Qty.	20 ST		
Type	CXX L 61R	Version	
Order No.	<a href="#">3053410000</a>	CUBESERIES, LED module, Rated control voltage: 6...24 V UC, Plug-in	
GTIN (EAN)	4099987023191	connection	
Qty.	20 ST		
Type	CXX L 62G	Version	
Order No.	<a href="#">3053440000</a>	CUBESERIES, LED module, Rated control voltage: 24...60 V UC, Plug-	
GTIN (EAN)	4099987023221	in connection	
Qty.	20 ST		
Type	CXX L 62R	Version	
Order No.	<a href="#">3053430000</a>	CUBESERIES, LED module, Rated control voltage: 24...60 V UC, Plug-	
GTIN (EAN)	4099987023214	in connection	
Qty.	20 ST		

## CRM20024

Weidmüller Interface GmbH &amp; Co. KG

Klingenbergstraße 26

D-32758 Detmold

Germany

## Accessories

www.weidmueller.com

## Relay sockets



Relay sockets for the CUBESERIES CRM relays

- 4 CO output version for 2 CO and 4 CO relays
- Screw and PUSH IN connection
- PUSH IN sockets with wide pushers for screwdrivers up to 1.0 x 5.5 mm blade size
- Various cross connection possibilities
- Matching accessories such as cross-connections, retaining clips and LED modules

## General ordering data

Type	CSM P 4CO	Version	
Order No.	<a href="#">3053140000</a>	CUBESERIES, Relay socket, Number of contacts: 4, CO contact,	
GTIN (EAN)	4099987022965	Continuous current: 8 A, PUSH IN	
Qty.	10 ST		
Type	CSM S 4CO	Version	
Order No.	<a href="#">3053160000</a>	CUBESERIES, Relay socket, Number of contacts: 4, CO contact,	
GTIN (EAN)	4099987022989	Continuous current: 6 A, Screw connection	
Qty.	10 ST		

## Cross-connections



## General ordering data

Type	CXM CCP 2P BL	Version	
Order No.	<a href="#">3053230000</a>	CUBESERIES, Cross-connector	
GTIN (EAN)	4099987023054		
Qty.	20 ST		
Type	CXM CCP 2P RD	Version	
Order No.	<a href="#">3053220000</a>	CUBESERIES, Cross-connector	
GTIN (EAN)	4099987023047		
Qty.	20 ST		
Type	CXM CCP 8P BL	Version	
Order No.	<a href="#">3053210000</a>	CUBESERIES, Cross-connector	
GTIN (EAN)	4099987023030		
Qty.	10 ST		
Type	CXM CCP 8P RD	Version	
Order No.	<a href="#">3053200000</a>	CUBESERIES, Cross-connector	
GTIN (EAN)	4099987023023		
Qty.	10 ST		

## CRM20024

Weidmüller Interface GmbH &amp; Co. KG

Klingenbergstraße 26

D-32758 Detmold

Germany

www.weidmueller.com

## Accessories

Type	CXM CCS 6P GY	Version
Order No.	<a href="#">3053180000</a>	CUBESERIES, Cross-connector
GTIN (EAN)	4099987023009	
Qty.	2 ST	

## Retaining clips



Retaining clips for CUBESERIES CRI relays.

Plastic retaining clip:

- With relay ejector function
- Marking slots for MultiFit markers
- Fits on relays with and without test button

Metal retaining clip:

- For a strong hold of the relay in the socket

## General ordering data

Type	CXM CLIP P	Version
Order No.	<a href="#">3053240000</a>	CUBESERIES, Retaining clip
GTIN (EAN)	4099987023061	
Qty.	10 ST	

Type	CXM CLIP M	Version
Order No.	<a href="#">3053190000</a>	CUBESERIES, Retaining clip
GTIN (EAN)	4099987023016	
Qty.	25 ST	

## Cross-connections



## General ordering data

Type	CXX JMP 2P BL	Version
Order No.	<a href="#">3053260000</a>	CUBESERIES, Cross-connector
GTIN (EAN)	4099987023085	
Qty.	30 ST	

Type	CXX JMP 2P RD	Version
Order No.	<a href="#">3053250000</a>	CUBESERIES, Cross-connector
GTIN (EAN)	4099987023078	
Qty.	30 ST	

## Relay sockets



Relay sockets for the CUBESERIES CRM relays

- 4 CO output version for 2 CO and 4 CO relays
- Screw and PUSH IN connection
- PUSH IN sockets with wide pushers for screwdrivers up to 1.0 x 5.5 mm blade size
- Various cross connection possibilities
- Matching accessories such as cross-connections, retaining clips and LED modules

## General ordering data

Type	CSM P 4CO	Version	
Order No.	<a href="#">3053140000</a>		CUBESERIES, Relay socket, Number of contacts: 4, CO contact,
GTIN (EAN)	4099987022965		Continuous current: 8 A, PUSH IN
Qty.	10 ST		
Type	CSM S 4CO	Version	
Order No.	<a href="#">3053160000</a>		CUBESERIES, Relay socket, Number of contacts: 4, CO contact,
GTIN (EAN)	4099987022989		Continuous current: 6 A, Screw connection
Qty.	10 ST		