

**CXI CLIP P****Weidmüller Interface GmbH & Co. KG**

Klingenbergstraße 26

D-32758 Detmold

Germany

www.weidmueller.com



Retaining clips for CUBESERIES CRI relays.

Plastic retaining clip:

- With relay ejector function
- Marking slots for MultiFit markers
- Fits on relays with and without test button

Metal retaining clip:

- For a strong hold of the relay in the socket
- Individual versions for relays with and without test button

**General ordering data**

|            |                            |
|------------|----------------------------|
| Version    | CUBESERIES, Retaining clip |
| Order No.  | <a href="#">3052710000</a> |
| Type       | CXI CLIP P                 |
| GTIN (EAN) | 4099987022514              |
| Qty.       | 10 items                   |

**CXI CLIP P**

**Weidmüller Interface GmbH & Co. KG**  
 Klingenbergstraße 26  
 D-32758 Detmold  
 Germany

www.weidmueller.com

**Technical data**

**Approvals**

|      |         |
|------|---------|
| ROHS | Conform |
|------|---------|

**Dimensions and weights**

|            |         |                 |             |
|------------|---------|-----------------|-------------|
| Depth      | 49.1 mm | Depth (inches)  | 1.9331 inch |
| Height     | 21.8 mm | Height (inches) | 0.8583 inch |
| Width      | 15.6 mm | Width (inches)  | 0.6142 inch |
| Net weight | 4 g     |                 |             |

**Temperatures**

|                     |                       |
|---------------------|-----------------------|
| Storage temperature | Operating temperature |
|---------------------|-----------------------|

**Environmental Product Compliance**

|                        |                             |
|------------------------|-----------------------------|
| RoHS Compliance Status | Compliant without exemption |
| REACH SVHC             | No SVHC above 0.1 wt%       |

**General data**

|         |                    |                |         |
|---------|--------------------|----------------|---------|
| Version | with marker holder | Basic material | Plastic |
| Colour  | orange             |                |         |

**Classifications**

|             |             |             |             |
|-------------|-------------|-------------|-------------|
| ETIM 8.0    | EC002586    | ETIM 9.0    | EC002586    |
| ETIM 10.0   | EC002586    | ECLASS 14.0 | 27-37-16-92 |
| ECLASS 15.0 | 27-37-16-92 |             |             |

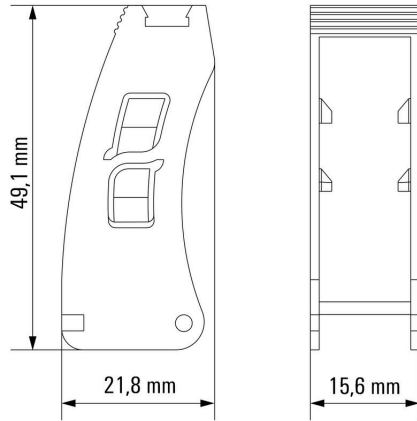
**CXI CLIP P**

**Weidmüller Interface GmbH & Co. KG**  
Klingenbergstraße 26  
D-32758 Detmold  
Germany

**Drawings**

[www.weidmueller.com](http://www.weidmueller.com)

**Dimensional drawing**



Miscellaneous

**Type code CUBESERIES accessories versions**



## CXI CLIP P

Weidmüller Interface GmbH &amp; Co. KG

Klingenbergstraße 26

D-32758 Detmold

Germany

## Accessories

www.weidmueller.com

## MultiFit



## MultiMark MultiFit

For connectors from competitors.

The elastic surface finish makes for simple installation. This special material enables the strips to be stretched to accommodate slight variations in spacing, especially with long terminal blocks.

A print resolution of 300 dpi also produces a very legible script. Your benefits with MultiMark

- Firm hold and durable printing
- Continuous strips save installation time
- Easy mounting thanks to an innovative composite material
- Large label field for optimal legibility
- High flexibility thanks to manufacturer independence
- Firm hold and durable printing
- Continuous strips save installation time
- Easy mounting thanks to an innovative composite material
- Large label field for optimal legibility
- High flexibility thanks to manufacturer independence
- ] • Firm hold and durable printing
- Continuous strips save installation time
- Easy mounting thanks to an innovative composite material
- Large label field for optimal legibility
- High flexibility thanks to manufacturer independence

## General ordering data

|            |                            |   |
|------------|----------------------------|---|
| Type       | MF 10/3.5 MM WS            | Version   |
| Order No.  | <a href="#">2885970000</a> | Terminal marker, 10 x 3.5 mm, Pitch in mm (P): 3.50 white |
| GTIN (EAN) | 4064675854579              |   |
| Qty.       | 850 ST                     |   |
| Type       | MF 10/4.2 MM WS            | Version   |
| Order No.  | <a href="#">2885980000</a> | Terminal marker, 10 x 4.2 mm, Pitch in mm (P): 4.20 white |
| GTIN (EAN) | 4064675854586              |   |
| Qty.       | 750 ST                     |   |
| Type       | MF 10/6 MM WS              | Version   |
| Order No.  | <a href="#">2519180000</a> | Terminal marker, 10 x 6 mm, white                         |
| GTIN (EAN) | 4050118531404              |   |
| Qty.       | 500 ST                     |   |
| Type       | MF 10/5 MM WS              | Version   |
| Order No.  | <a href="#">2519170000</a> | Terminal marker, 10 x 5 mm, white                         |
| GTIN (EAN) | 4050118531190              |   |
| Qty.       | 600 ST                     |   |
| Type       | MF 10/7.6 MM WS            | Version   |
| Order No.  | <a href="#">2885990000</a> | Terminal marker, 10 x 7.6 mm, Pitch in mm (P): 7.60 white |
| GTIN (EAN) | 4064675854593              |   |
| Qty.       | 400 ST                     |   |
| Type       | MF 10/8 MM WS              | Version   |
| Order No.  | <a href="#">2519190000</a> | Terminal marker, 10 x 8 mm, white                         |
| GTIN (EAN) | 4050118531411              |   |
| Qty.       | 400 ST                     |   |

## CXI CLIP P

Weidmüller Interface GmbH &amp; Co. KG

Klingenbergstraße 26

D-32758 Detmold

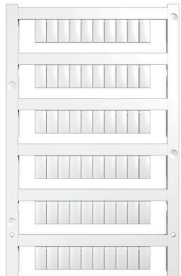
Germany

www.weidmueller.com

## Accessories

|            |                           |                                    |
|------------|---------------------------|------------------------------------|
| Type       | MF 10/10 MM WS            | Version                            |
| Order No.  | <a href="#">288600000</a> | Terminal marker, 10 x 10 mm, white |
| GTIN (EAN) | 4064675854609             |                                    |
| Qty.       | 300 ST                    |                                    |
| Type       | MF 10/12 MM WS            | Version                            |
| Order No.  | <a href="#">288601000</a> | Terminal marker, 10 x 12 mm, white |
| GTIN (EAN) | 4064675854616             |                                    |
| Qty.       | 250 ST                    |                                    |

## Blank



MultiFit is the Weidmüller marker system used for other makes of terminals. Similar to the Weidmüller Dekafix, the markers of the MultiFit family are available ready-for-use with standard printing.

We recommend to carry out a test with sample markers on the terminals used when using MultiFit for the first time.

- One marker, suitable for different makes of terminals.
- Ready-to-use markers with standard printing
- Blank markers for printing with the PrintJet CONNECT or Plotter
- Delivery of individually printed markers according to customer CAE data or specifications
- One marking system for all applications

For custom printing: Please send us a file of our labeling software M-Print PRO or M-Print PRO Online (without installation) for your labeling specifications.

## General ordering data

|            |                           |   |
|------------|---------------------------|---|
| Type       | MF 10/5 MC NE WS          | Version   |
| Order No.  | <a href="#">167716000</a> | MultiFit, Terminal marker, 10 x 5 mm, Pitch in mm (P): 5.00 Phoenix, Wieland, Legrand, Telemecanique, Entrelec, white |
| GTIN (EAN) | 4008190475505             |   |
| Qty.       | 600 ST                    |   |
| Type       | MF 10/6 MC NE WS          | Version   |
| Order No.  | <a href="#">167722000</a> | MultiFit, Terminal marker, 10 x 6 mm, Pitch in mm (P): 6.00 Phoenix, Wieland, Legrand, Telemecanique, Entrelec, white |
| GTIN (EAN) | 4008190475529             |   |
| Qty.       | 600 ST                    |   |
| Type       | MF 10/8 MC NE WS          | Version   |
| Order No.  | <a href="#">186844000</a> | MultiFit, Terminal marker, 10 x 8 mm, Pitch in mm (P): 8.00 Phoenix, Entrelec, white                                  |
| GTIN (EAN) | 4032248440023             |   |
| Qty.       | 350 ST                    |   |
| Type       | MF 10/10 MC NE WS         | Version   |
| Order No.  | <a href="#">185676000</a> | MultiFit, Terminal marker, 10 x 10 mm, Pitch in mm (P): 10.00 Phoenix, Entrelec, white                                |
| GTIN (EAN) | 4032248401031             |   |
| Qty.       | 200 ST                    |   |