

CSI S 2CO

Weidmüller Interface GmbH & Co. KG

Klingenbergstraße 26
D-32758 Detmold
Germany

www.weidmueller.com



- Relay sockets for the CUBESERIES CRI relays
- 2 CO output version for 1 CO and 2 CO relays
 - Screw and PUSH IN connection
 - PUSH IN sockets with wide pushers for screwdrivers up to 1.0 x 5.5 mm blade size
 - Various cross connection possibilities
 - Matching accessories such as cross-connections, retaining clips and LED modules

General ordering data

Version	CUBESERIES, Relay socket, Number of contacts: 2, CO contact, Continuous current: 8 A, Screw connection
Order No.	3052590000
Type	CSI S 2CO
GTIN (EAN)	4099987022422
Qty.	10 items

CSI S 2CO

Weidmüller Interface GmbH & Co. KG

Klingenbergstraße 26

D-32758 Detmold

Germany

www.weidmueller.com

Technical data

Approvals

Approvals



ROHS Conform

UL File Number Search [UL Website](#)

Certificate No. (cURus) E223759

Dimensions and weights

Depth	45.9 mm	Depth (inches)	1.8071 inch
Height	97 mm	Height (inches)	3.8189 inch
Width	15.9 mm	Width (inches)	0.626 inch
Net weight	45 g		

Temperatures

Storage temperature	Ambient temperature	-40 °C...70 °C
Operating temperature		

Environmental Product Compliance

RoHS Compliance Status	Compliant without exemption
REACH SVHC	No SVHC above 0.1 wt%

Rated data UL

Certificate No. (cURus)	E223759
-------------------------	---------

Control side

Status indicator	No
------------------	----

Load side

Rated switching voltage	250 V AC	Continuous current	8 A @ 2CO; 12 A @ 1CO without bridged output wire connections; 16 A @ 1CO with bridged output wire connections
Max. switching voltage, AC	300 V	Contact type	2 CO contact

General data

Operating altitude	≤ 2000 m, above sea level		
Mounting rail	TS 35		
Colour	black		
UL 94 flammability rating	V-2		
UL94 flammability rating component	Component	Socket	
	UL94 flammability rating	V-2	

CSI S 2CO

Weidmüller Interface GmbH & Co. KG

Klingenbergstraße 26
D-32758 Detmold
Germany

www.weidmueller.com

Technical data

Insulation coordination

Surge voltage category	IV	Dielectric strength for control side - load side	5 kVeff / 1 min
Dielectric strength of neighbouring contacts	3 KVeFF / 1 Min.	Dielectric strength to mounting rail	5 kVeff / 1 min
Impulse withstand voltage	6 kV	Protection degree	IP20

Further details of approvals / standards

Certificate No. (CSA)	607178-80219312	Certificate No. (cURus)	E223759
-----------------------	-----------------	-------------------------	---------

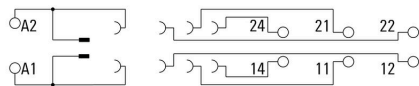
Connection data

Wire connection method	Screw connection	Stripping length, rated connection	8 mm
Clamping range, rated connection	2.5 mm ²	Clamping range, min.	0.75 mm ²
Clamping range, max.	4 mm ²	Wire cross-section, solid, min.	0.75 mm ²
Wire cross-section, solid, max.	4 mm ²	Wire connection cross section, finely stranded, min.	0.75 mm ²
Wire connection cross section, finely stranded, max.	4 mm ²	Wire connection cross-section, finely stranded with wire-end ferrules DIN 46228/4, min.	0.75 mm ²
Wire connection cross-section, finely stranded with wire-end ferrules DIN 46228/4, max.	4 mm ²	Twin wire-end ferrules, min.	1.5 mm ²
Twin wire-end ferrules, max.	2.5 mm ²	Blade size	PZ 1

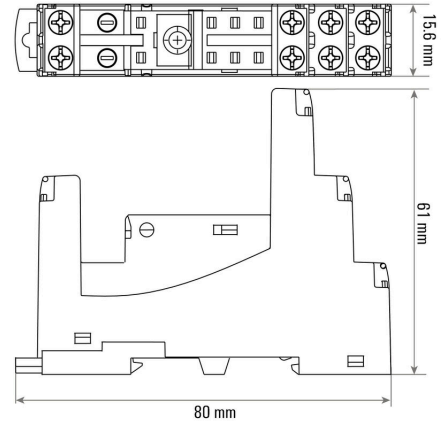
Classifications

ETIM 8.0	EC001456	ETIM 9.0	EC001456
ETIM 10.0	EC001456	ECLASS 14.0	27-37-16-03
ECLASS 15.0	27-37-16-03		

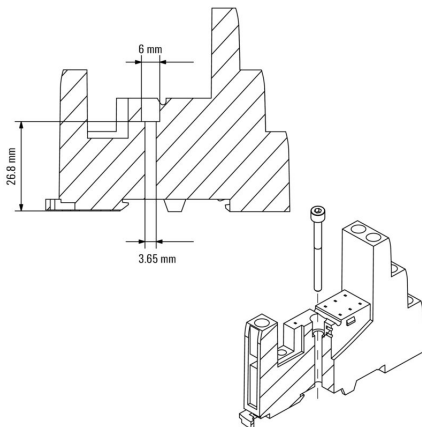
Wiring diagram



Dimensional drawing

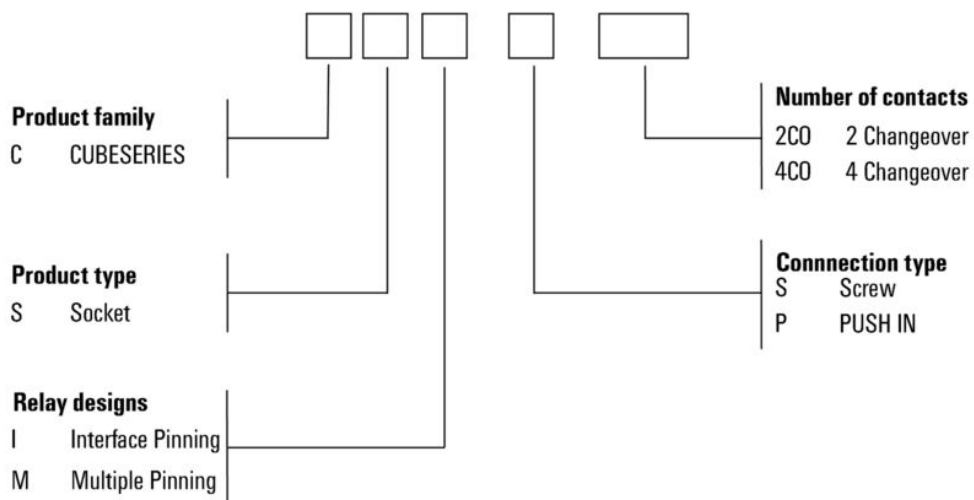


Dimensional drawing



Miscellaneous

Type code CUBESERIES socket versions



CSI S 2CO

Weidmüller Interface GmbH & Co. KG
 Klingenbergstraße 26
 D-32758 Detmold
 Germany

www.weidmueller.com

Accessories

LED



General ordering data

Type	CXX L 61G	Version
Order No.	3053420000	CUBESERIES, LED module, Rated control voltage: 6...24 V UC, Plug-in connection
GTIN (EAN)	4099987023207	
Qty.	20 ST	
Type	CXX L 61R	Version
Order No.	3053410000	CUBESERIES, LED module, Rated control voltage: 6...24 V UC, Plug-in connection
GTIN (EAN)	4099987023191	
Qty.	20 ST	
Type	CXX L 62G	Version
Order No.	3053440000	CUBESERIES, LED module, Rated control voltage: 24...60 V UC, Plug-in connection
GTIN (EAN)	4099987023221	
Qty.	20 ST	
Type	CXX L 62R	Version
Order No.	3053430000	CUBESERIES, LED module, Rated control voltage: 24...60 V UC, Plug-in connection
GTIN (EAN)	4099987023214	
Qty.	20 ST	
Type	CXX L 63G	Version
Order No.	3053460000	CUBESERIES, LED module, Rated control voltage: 110...230 V UC, Plug-in connection
GTIN (EAN)	4099987023245	
Qty.	20 ST	
Type	CXX L 63R	Version
Order No.	3053450000	CUBESERIES, LED module, Rated control voltage: 110...230 V UC, Plug-in connection
GTIN (EAN)	4099987023238	
Qty.	20 ST	

LED and free-wheel diode



CSI S 2CO

Weidmüller Interface GmbH & Co. KG
 Klingenbergstraße 26
 D-32758 Detmold
 Germany

www.weidmueller.com

Accessories

General ordering data

Type	CXX LD 41G	Version	
Order No.	3053310000	CUBESERIES, LED module with freewheel diode, Rated control	
GTIN (EAN)	4099987023115	voltage: 6...24 V DC, Plug-in connection	
Qty.	20 ST		
Type	CXX LD 41R	Version	
Order No.	3053290000	CUBESERIES, LED module with freewheel diode, Rated control	
GTIN (EAN)	4099987023108	voltage: 6...24 V DC, Plug-in connection	
Qty.	20 ST		

LED and free-wheeling diode



General ordering data

Type	CXX LD 42G	Version	
Order No.	3053340000	CUBESERIES, LED module with freewheel diode, Rated control	
GTIN (EAN)	4099987023139	voltage: 24...60 V DC, Plug-in connection	
Qty.	20 ST		

LED and free-wheel diode



General ordering data

Type	CXX LD 42R	Version	
Order No.	3053320000	CUBESERIES, LED module with freewheel diode, Rated control	
GTIN (EAN)	4099987023122	voltage: 24...60 V DC, Plug-in connection	
Qty.	20 ST		

CSI S 2CO

Weidmüller Interface GmbH & Co. KG
 Klingenbergstraße 26
 D-32758 Detmold
 Germany

www.weidmueller.com

Accessories

LED and free-wheeling diode



General ordering data

Type	CXX LD 43G	Version	
Order No.	3053360000	CUBESERIES, LED module with freewheel diode, Rated control	
GTIN (EAN)	4099987023153	voltage: 110...230 V DC, Plug-in connection	
Qty.	20 ST		

LED and free-wheel diode



General ordering data

Type	CXX LD 43R	Version	
Order No.	3053350000	CUBESERIES, LED module with freewheel diode, Rated control	
GTIN (EAN)	4099987023146	voltage: 110...230 V DC, Plug-in connection	
Qty.	20 ST		

Protection modules



General ordering data

Type	CXX D 21N	Version	
Order No.	3053270000	CUBESERIES, Free-wheeling diode, Rated control voltage: 6...230 V	
GTIN (EAN)	4099987023092	DC, Plug-in connection	
Qty.	20 ST		

CSI S 2CO

Weidmüller Interface GmbH & Co. KG
 Klingenbergstraße 26
 D-32758 Detmold
 Germany

www.weidmueller.com

Accessories

Type	CXX RC 51	Version
Order No.	3053370000	CUBESERIES, RC element, Rated control voltage: 6...24 V UC, Plug-in connection
GTIN (EAN)	4099987023160	
Qty.	20 ST	
Type	CXX RC 52	Version
Order No.	3053390000	CUBESERIES, RC element, Rated control voltage: 24...60 V UC, Plug-in connection
GTIN (EAN)	4099987023177	
Qty.	20 ST	
Type	CXX RC 53	Version
Order No.	3053400000	CUBESERIES, RC element, Rated control voltage: 110...230 V AC, Plug-in connection
GTIN (EAN)	4099987023184	
Qty.	20 ST	
Type	CXX V 71	Version
Order No.	3053470000	CUBESERIES, Protective varistor, Rated control voltage: 6...24 V AC, Plug-in connection
GTIN (EAN)	4099987023252	
Qty.	20 ST	
Type	CXX V 72	Version
Order No.	3053480000	CUBESERIES, Protective varistor, Rated control voltage: 110...130 V AC, Plug-in connection
GTIN (EAN)	4099987023269	
Qty.	20 ST	
Type	CXX V 73	Version
Order No.	3053490000	CUBESERIES, Protective varistor, Rated control voltage: 220...240 V AC, Plug-in connection
GTIN (EAN)	4099987023276	
Qty.	20 ST	

Cross-connections



Cross-connection for the sockets in the CUBESERIES CRI.

- Versions with red and blue coloured plastic for potential coding

Versions for PUSH IN sockets:

- 8-pin cross connection for A1 and A2 of the coil
- 2-pin jumper to connect to the neighbored sockets
- 2-pin jumper to connect the output channels within one socket

Version for screw sockets:

- 8-pin cross connection to connect to the neighbored sockets

General ordering data

Type	CXI CCS 8P GY	Version
Order No.	3052620000	CUBESERIES, Cross-connector
GTIN (EAN)	4099987022446	
Qty.	2 ST	

CSI S 2CO

Weidmüller Interface GmbH & Co. KG
 Klingenbergstraße 26
 D-32758 Detmold
 Germany

www.weidmueller.com

Accessories

Retaining clips



Retaining clips for CUBESERIES CRI relays.

Plastic retaining clip:

- With relay ejector function
- Marking slots for MultiFit markers
- Fits on relays with and without test button

Metal retaining clip:

- For a strong hold of the relay in the socket
- Individual versions for relays with and without test button

General ordering data

Type	CXI CLIP HM	Version
Order No.	3052640000	CUBESERIES, Retaining clip
GTIN (EAN)	4099987022460	
Qty.	10 ST	
Type	CXI CLIP LM	Version
Order No.	3052630000	CUBESERIES, Retaining clip
GTIN (EAN)	4099987022453	
Qty.	25 ST	
Type	CXI CLIP P	Version
Order No.	3052710000	CUBESERIES, Retaining clip
GTIN (EAN)	4099987022514	
Qty.	10 ST	

Marker holder



General ordering data

Type	CXI LABEL FLAP S	Version
Order No.	3169130000	CUBESERIES, Label
GTIN (EAN)	4099987828048	
Qty.	100 ST	