

CSI S 2CO

Weidmüller Interface GmbH & Co. KG

Klingenbergstraße 26

D-32758 Detmold

Germany

www.weidmueller.com



Relay sockets for the CUBESERIES CRI relays

- 2 CO output version for 1 CO and 2 CO relays
- Screw and PUSH IN connection
- PUSH IN sockets with wide pushers for screwdrivers up to 1.0 x 5.5 mm blade size
- Various cross connection possibilities
- Matching accessories such as cross-connections, retaining clips and LED modules

General ordering data

Version	CUBESERIES, Relay socket, Number of contacts: 2, CO contact, Continuous current: 8 A, Screw connection
Order No.	3052590000
Type	CSI S 2CO
GTIN (EAN)	4099987022422
Qty.	10 items

CSI S 2CO

Weidmüller Interface GmbH & Co. KG
 Klingenbergstraße 26
 D-32758 Detmold
 Germany

www.weidmueller.com

Technical data

Approvals

Approvals



ROHS	Conform
UL File Number Search	UL Website
Certificate No. (cURus)	E223759

Dimensions and weights

Depth	45.9 mm	Depth (inches)	1.8071 inch
Height	97 mm	Height (inches)	3.8189 inch
Width	15.9 mm	Width (inches)	0.626 inch
Net weight	45 g		

Temperatures

Storage temperature	Ambient temperature	-40 °C...70 °C
Operating temperature		

Environmental Product Compliance

RoHS Compliance Status	Compliant without exemption
REACH SVHC	No SVHC above 0.1 wt%

Rated data UL

Certificate No. (cURus)	E223759
-------------------------	---------

Control side

Status indicator	No
------------------	----

Load side

Rated switching voltage	250 V AC	Continuous current	8 A @ 2CO; 12 A @ 1CO without bridged output wire connections; 16 A @ 1CO with bridged output wire connections
Max. switching voltage, AC	300 V	Contact type	2 CO contact

General data

Operating altitude	≤ 2000 m, above sea level		
Mounting rail	TS 35		
Colour	black		
UL 94 flammability rating	V-2		
UL94 flammability rating component	Component	Socket	
	UL94 flammability rating	V-2	

CSI S 2CO

Weidmüller Interface GmbH & Co. KG

Klingenbergstraße 26
D-32758 Detmold
Germany

www.weidmueller.com

Technical data

Insulation coordination

Surge voltage category	IV	Dielectric strength for control side - load side	5 kVeff / 1 min
Dielectric strength of neighbouring contacts	3 KVeFF / 1 Min.	Dielectric strength to mounting rail	5 kVeff / 1 min
Impulse withstand voltage	6 kV	Protection degree	IP20

Further details of approvals / standards

Certificate No. (CSA)	607178-80219312	Certificate No. (cURus)	E223759
-----------------------	-----------------	-------------------------	---------

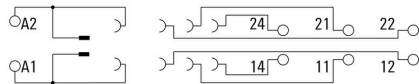
Connection data

Wire connection method	Screw connection	Stripping length, rated connection	8 mm
Clamping range, rated connection	2.5 mm ²	Clamping range, min.	0.75 mm ²
Clamping range, max.	4 mm ²	Wire cross-section, solid, min.	0.75 mm ²
Wire cross-section, solid, max.	4 mm ²	Wire connection cross section, finely stranded, min.	0.75 mm ²
Wire connection cross section, finely stranded, max.	4 mm ²	Wire connection cross-section, finely stranded with wire-end ferrules DIN 46228/4, min.	0.75 mm ²
Wire connection cross-section, finely stranded with wire-end ferrules DIN 46228/4, max.	4 mm ²	Twin wire-end ferrules, min.	1.5 mm ²
Twin wire-end ferrules, max.	2.5 mm ²	Blade size	PZ 1

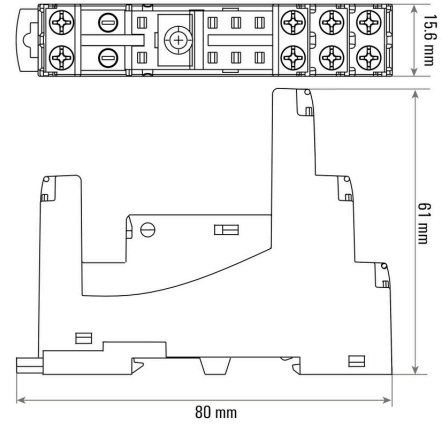
Classifications

ETIM 8.0	EC001456	ETIM 9.0	EC001456
ETIM 10.0	EC001456	ECLASS 14.0	27-37-16-03
ECLASS 15.0	27-37-16-03		

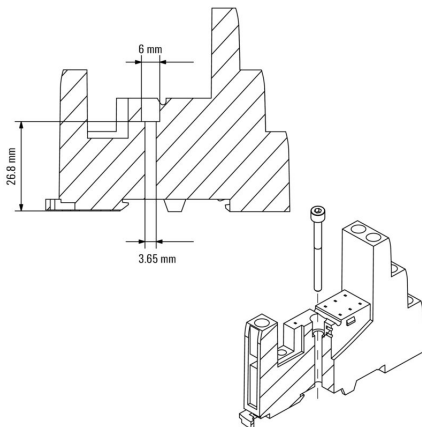
Wiring diagram



Dimensional drawing



Dimensional drawing



Miscellaneous

Type code CUBESERIES socket versions

