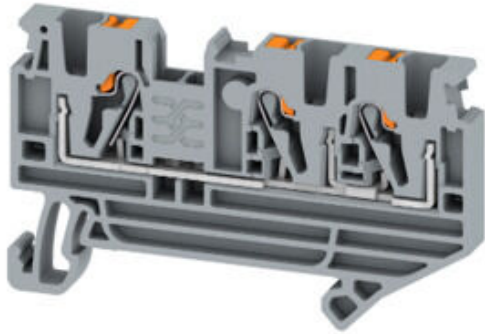


B3C 2.5N

Weidmüller Interface GmbH & Co. KG
Klingenbergstraße 26
D-32758 Detmold
Germany

www.weidmueller.com



General ordering data

Version	Feed-through terminal, PUSH IN, 2.5, 600, 24, grey
Order No.	3039560000
Type	B3C 2.5N
GTIN (EAN)	4099987008969
Qty.	100 items

B3C 2.5N

Weidmüller Interface GmbH & Co. KG
 Klingenbergstraße 26
 D-32758 Detmold
 Germany

www.weidmueller.com

Technical data

Approvals

Approvals



UL File Number Search [UL Website](#)
 Certificate No. (UR) E60693

Dimensions and weights

Depth	37 mm	Depth (inches)	1.4567 inch
Depth including DIN rail	36.5 mm	Height	61 mm
Height (inches)	2.4016 inch	Width	5.1 mm
Width (inches)	0.2008 inch	Net weight	7.02 g

Temperatures

Storage temperature	-25 °C...55 °C	Ambient temperature	-5 °C...40 °C
Continuous operating temp., min.	-50 °C	Continuous operating temp., max.	120 °C

Environmental Product Compliance

RoHS Compliance Status Compliant without exemption
 REACH SVHC No SVHC above 0.1 wt%

Material data

Basic material	PA 66	Colour	grey
Colour of operational elements	orange	UL 94 flammability rating	V-0

System specifications

End cover plate required	Yes	Number of potentials	1
Number of levels	1	Number of clamping points per level	3
Number of potentials per tier	1	Levels cross-connected internally	No
PE connection	No	Mounting rail	TS 35
N-function	No	PE function	No
PEN function	No		

Additional technical data

With snap-in pegs	No	Open sides	right
Snap-on	No	Type of fixing	Snap-on
Explosion-tested version	No	Type of mounting	TS 35

Conductors for clamping (additional connection)

Connection type, additional connection PUSH IN

Conductors for clamping (rated connection)

Gauge to IEC 60947-1	A3	Wire connection cross section AWG, max.	AWG 12
Connection direction	top	Stripping length	10 mm

B3C 2.5N

Weidmüller Interface GmbH & Co. KG

Klingenbergstraße 26
D-32758 Detmold
Germany

www.weidmueller.com

Technical data

Type of connection	PUSH IN	Number of connections	2
Blade size	0.6 x 3.5 mm	Wire connection cross section AWG, min.	AWG 20
Wire connection cross-section, finely stranded with wire-end ferrules DIN 46228/4, max.	2.5 mm ²	Wire connection cross-section, finely stranded with wire-end ferrules DIN 46228/4, min.	0.5 mm ²
Wire connection cross-section, finely stranded with wire-end ferrules DIN 46228/1, max.	2.5 mm ²	Wire connection cross-section, finely stranded with wire-end ferrules DIN 46228/1, min.	0.5 mm ²
Wire connection cross section, finely stranded, max.	2.5 mm ²	Wire connection cross section, finely stranded, min.	0.5 mm ²
Connection cross-section, stranded, max.	2.5 mm ²	Connection cross-section, stranded, min.	0.5 mm ²
Twin wire-end ferrules, max.	0.75 mm ²	Twin wire-end ferrules, min.	0.5 mm ²
Wire connection cross-section, solid core, max.	2.5 mm ²	Wire connection cross-section, solid core, min.	0.5 mm ²

General

Wire connection cross section AWG, max.	AWG 12	Wire connection cross section AWG, min.	AWG 20
Standards	IEC 60947-7-1	Mounting rail	TS 35

Rating data

Rated cross-section	2.5 mm ²	Rated voltage	600 V
Nominal current	24 A	Current at maximum wires	24 A
Standards	IEC 60947-7-1	Volume resistance according to IEC 60947-7-x	1.33 mΩ
Power loss in accordance with IEC 60947-7-x	0.77 W	Surge voltage category	III
Pollution severity	3		

UL rating data

Voltage size B (UR)	600 V	Wire cross section min. (UR)	20 AWG
Current size B (UR)	20 A	Wire cross section max. (UR)	12 AWG
Current size D (UR)	5 A	Current size C (UR)	20 A
Voltage size C (UR)	600 V	Certificate No. (UR)	E60693
Voltage size D (UR)	600 V		

Classifications

ETIM 8.0	EC000897	ETIM 9.0	EC000897
ETIM 10.0	EC000897	ECLASS 14.0	27-25-01-01
ECLASS 15.0	27-25-01-01		

B3C 2.5N

Weidmüller Interface GmbH & Co. KG

Klingenbergstraße 26

D-32758 Detmold

Germany

www.weidmueller.com

Accessories

Accessories

General ordering data

Type	BCC 2.5N/2	Version
Order No.	3040570000	Cross-connector (terminal), Plugged, orange, 24 A, Number of poles:
GTIN (EAN)	4099987010245	2, Pitch in mm (P): 5.10, Insulated: Yes, Width: 8.6 mm
Qty.	50 ST	
Type	BCC 2.5N/3	Version
Order No.	3040590000	Cross-connector (terminal), Plugged, orange, 24 A, Number of poles:
GTIN (EAN)	4099987010252	3, Pitch in mm (P): 5.10, Insulated: Yes, Width: 13.7 mm
Qty.	50 ST	
Type	BCC 2.5N/4	Version
Order No.	3040610000	Cross-connector (terminal), Plugged, orange, 24 A, Number of poles:
GTIN (EAN)	4099987010269	4, Pitch in mm (P): 5.10, Insulated: Yes, Width: 18.8 mm
Qty.	50 ST	
Type	BCC 2.5N/10	Version
Order No.	3040630000	Cross-connector (terminal), Plugged, orange, 24 A, Number of poles:
GTIN (EAN)	4099987010276	10, Pitch in mm (P): 5.10, Insulated: Yes, Width: 49.4 mm
Qty.	20 ST	
Type	BEP 3C 2.5N	Version
Order No.	3040530000	B-series, End plate
GTIN (EAN)	4099987010207	
Qty.	50 ST	
Type	BEP 3C 2.5N BL	Version
Order No.	3040540000	B-series, End plate
GTIN (EAN)	4099987010214	
Qty.	50 ST	
Type	BEB 35	Version
Order No.	3076100000	B-series, End bracket
GTIN (EAN)	4099987079969	
Qty.	50 ST	