

HDC HQ 5 FP**Weidmüller Interface GmbH & Co. KG**

Klingenbergstraße 26

D-32758 Detmold

Germany

www.weidmueller.com



The HQ series - big features in a compact design. The electrical values speak for themselves. The wire connection level is designed as a PUSH IN contact.

Pole count: 5, 8

Rated current: 16 A

Rated voltage: 250 V, 500 V

General ordering data

Version	HDC insert, Female, 230 V, 16 A, Number of poles: 5, PUSH IN with actuator, Installation size: 1
Order No.	3023890000
Type	HDC HQ 5 FP
GTIN (EAN)	4099986946477
Qty.	1 items

HDC HQ 5 FP

Weidmüller Interface GmbH & Co. KG

Klingenbergstraße 26

D-32758 Detmold

Germany

www.weidmueller.com

Technical data

Approvals

Approvals



ROHS Conform

Dimensions and weights

Height	41 mm	Height (inches)	1.6142 inch
Width	21 mm	Width (inches)	0.8268 inch
Length	21 mm	Length (inches)	0.8268 inch
Net weight	50 g		

Temperatures

Limit temperature -40 °C ... 125 °C

Environmental Product Compliance

RoHS Compliance Status Compliant without exemption
 REACH SVHC No SVHC above 0.1 wt%

Dimensions

Width	21 mm	Total length base	21 mm
Height of plug	38 mm		

General data

Number of poles	5	Plugging cycles, silver	≥ 500
Plugging cycles, gold	≥ 500	Type of connection	PUSH IN with actuator
Installation size	1	UL 94 flammability rating	V-0
Volume resistance	≤2 mΩ	Colour	beige
Insulating material	PC glass-fibre reinforced (UL-listed and railway-certified)	Tightening torque, max. PE connection	0.55 Nm
Type	Female	Surge voltage category	III
Pollution severity	3	Tightening torque, min. PE connection	0.5 Nm
Basic material	Copper alloy	Series	HQ
Rated voltage (DIN EN 61984)	230 V	Rated voltage according to UL/CSA	600 V AC/DC
Rated impulse voltage (DIN EN 61984)	6 kV	Rated current (DIN EN 61984)	16 A
Free from halogens	false	Low smoke acc. DIN EN 45545-2	Yes
BG	1	Number of power contacts	5

Connection data PE

Connection type PE	Screw connection	Tightening torque, max. PE connection	0.55 Nm
Tightening torque, min. PE connection	0.5 Nm	Rated cross-section	2.5 mm ²
Wire cross section, AWG (PE), min.	AWG 14	Wire cross section, AWG (PE), max.	AWG 20

Power contact

Tightening torque, max.	0.8 Nm	Tightening torque, min.	0.5 Nm
-------------------------	--------	-------------------------	--------

HDC HQ 5 FP

Weidmüller Interface GmbH & Co. KG

Klingenbergstraße 26
D-32758 Detmold
Germany

www.weidmueller.com

Technical data

Signal contact

Tightening torque, max.	0.8 Nm	Tightening torque, min.	0.5 Nm
-------------------------	--------	-------------------------	--------

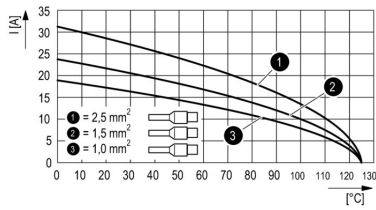
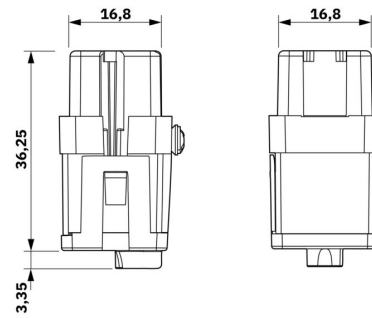
Version

Wire connection cross section AWG, max.	AWG 20	Stripping length, rated connection	10 mm
Type of connection	PUSH IN with actuator	Installation size	1
Volume resistance	≤2 mΩ	Wire connection cross section AWG, min.	AWG 14
Wire connection cross-section, finely stranded with wire-end ferrules DIN 46228/4, max.	2.5 mm ²	Wire connection cross-section, finely stranded with wire-end ferrules DIN 46228/4, min.	0.5 mm ²
Wire connection cross section, finely stranded, max.	2.5 mm ²	Wire connection cross section, finely stranded, min.	0.5 mm ²
Conductor cross-section, max.	2.5 mm ²	Conductor cross-section, min.	0.5 mm ²
Basic material	Copper alloy	BG	1

Classifications

ETIM 8.0	EC000438	ETIM 9.0	EC000438
ETIM 10.0	EC000438	ECLASS 14.0	27-44-02-05
ECLASS 15.0	27-44-02-05		

Drawings



HDC HQ 5 FP

Weidmüller Interface GmbH & Co. KG

Klingenbergstraße 26

D-32758 Detmold

Germany

Accessories

www.weidmueller.com

Slotted screwdriver



VDE insulated slot-head screwdriver, SDI DIN 7437, ISO 2380/2, drive output acc. to DIN 5264, ISO 2380/1. SoftFinish grip

General ordering data

Type	SDIS 0.5X3.0X100	Version
Order No.	9008380000	Screwdriver, Screwdriver
GTIN (EAN)	4032248056347	
Qty.	1 ST	
Type	SDS 0.5X3.0X80	Version
Order No.	9008320000	Screwdriver, Screwdriver
GTIN (EAN)	4032248056262	
Qty.	1 ST	
Type	SDIS 0.6X3.5X100	Version
Order No.	9008390000	Screwdriver, Screwdriver
GTIN (EAN)	4032248056354	
Qty.	1 ST	
Type	SDS 0.6X3.5X100	Version
Order No.	9008330000	Screwdriver, Screwdriver
GTIN (EAN)	4032248056286	
Qty.	1 ST	
Type	SDIS 0.8X4.0X100	Version
Order No.	9008400000	Screwdriver, Screwdriver
GTIN (EAN)	4032248056361	
Qty.	1 ST	
Type	SDS 0.8X4.0X100	Version
Order No.	9008340000	Screwdriver, Screwdriver
GTIN (EAN)	4032248056293	
Qty.	1 ST	

Combined screwing and cutting tool "Swifty® CS"

Combined cutting/stripping tool Swifty® CS and Swifty® CS set for crimp-free cutting and stripping of copper cables up to 1.5 mm² solid and 2.5 mm² flexible.

HDC HQ 5 FP

Weidmüller Interface GmbH & Co. KG
 Klingenbergstraße 26
 D-32758 Detmold
 Germany

www.weidmueller.com

Accessories

General ordering data

Type	SWIFTY CS SET	Version	
Order No.	9006060000	Cutting and screwing-tool, Cutting tool for one-hand operation	
GTIN (EAN)	4032248257638		
Qty.	1 ST		

5-pole



The HQ series - big features in a compact design. The electrical values speak for themselves. The wire connection level is designed as a PUSH IN contact.

Pole count: 5, 8

Rated current: 16 A

Rated voltage: 250 V, 500 V

General ordering data

Type	HDC HQ 5 MP	Version	
Order No.	3023900000	HDC insert, Male, 230 V, 16 A, Number of poles: 5, PUSH IN with actuator, Installation size: 1	
GTIN (EAN)	4099986946484		
Qty.	1 ST		

HA



Various accessories are available for our inserts. This includes coding elements for the inserts.

General ordering data

Type	HDC HA3/4 HQ5 PUSHIN CP	Version	
Order No.	3142030000	Heavy-duty connectors, Accessories	
GTIN (EAN)	4099987491730		
Qty.	10 ST		