

**SAI-06D-VP3V-4A-P12L-PNP**

**Weidmüller Interface GmbH & Co. KG**  
Klingenbergstraße 26  
D-32758 Detmold  
Germany

www.weidmueller.com

**Product image**

Whereas the standard M12 system requires the sleeves to be laboriously screwed on and that operation is hindered by the vibration guard, M12 Push-Pull works with one click, just like those well-known garden hose systems. The audible locking function guarantees a safe and reliable connection as well as a good seal. The new SAI M12 Push-Pull distributors can be used with M12 plug-in connectors but also with the new M12 Push-Pull plug-in connectors.

**General ordering data**

Version	with M23 outlet, 12-pole, M12, M23, 30 V, A-coded, LED: Yes, LED initiator: Yes, Wiring type: PNP
Order No.	<a href="#">3023690000</a>
Type	SAI-06D-VP3V-4A-P12L-PNP
GTIN (EAN)	4099986944695
Qty.	1 items

## SAI-06D-VP3V-4A-P12L-PNP

**Weidmüller Interface GmbH & Co. KG**  
 Klingenbergstraße 26  
 D-32758 Detmold  
 Germany

www.weidmueller.com

## Technical data

### Approvals

Approvals



ROHS Conform

### Dimensions and weights

Height	35.2 mm	Height (inches)	1.3858 inch
Width	56 mm	Width (inches)	2.2047 inch
Length	134 mm	Length (inches)	5.2756 inch
Net weight	250 g		

### Temperatures

Operating temperature -25 - 80°C

### Environmental Product Compliance

RoHS Compliance Status	Compliant with exemption
RoHS Exemption (if applicable/known)	6c
REACH SVHC	Lead 7439-92-1, Bumetrizole (UV-326) 3896-11-5
SCIP	aff684c1-bd47-44d6-8d6c-78b6bd183080

### Connection data

Distributor outlet	with M23 outlet, 12-pole	Tightening torque	M12: 0.4 Nm, M23: 2.5 Nm
--------------------	--------------------------	-------------------	--------------------------

### Standards

Connector standard IEC 61076-2-010

### Electrical data

Rated voltage, min.	10 V	Rated voltage, max.	30 V
Max. current-carrying capacity per slot	4 A	Total current	10 A
Current per signal	2 A	Electrical isolation available	No

### General technical data

Protection degree	IP67, when screwed in	Plug-in station coding	A-coded
Number of poles	4	Number of contact sockets	6
Connection thread	M12, M23	Fire behaviour	V-0
LED	Yes	LED initiator	Yes
LED colour for indicating operation	green	LED colour for I/O function	yellow

### Material data

Material O-Ring	FKM, NBR	Housing main material	PBT
Material of distributor	Plastic	Housing colour	black
Contact material	CuZn, CuSn	Contact surface	Gold-plated
Contact carrier material	PA		

**SAI-06D-VP3V-4A-P12L-PNP**

**Weidmüller Interface GmbH & Co. KG**  
Klingenbergstraße 26  
D-32758 Detmold  
Germany

[www.weidmueller.com](http://www.weidmueller.com)

**Technical data****Technical data cable**

Number of poles	4	Suitable for cable carriers	No
-----------------	---	-----------------------------	----

**Classifications**

ETIM 8.0	EC003558	ETIM 9.0	EC003558
ETIM 10.0	EC003558	ECLASS 14.0	27-44-01-11
ECLASS 15.0	27-44-01-11		

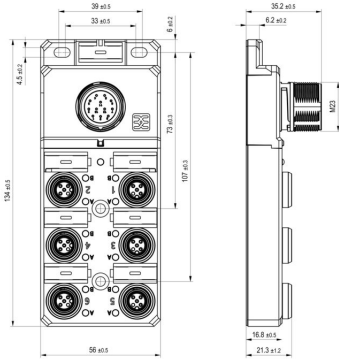
SAI-06D-VP3V-4A-P12L-PNP

Weidmüller Interface GmbH & Co. KG  
 Klingenbergstraße 26  
 D-32758 Detmold  
 Germany

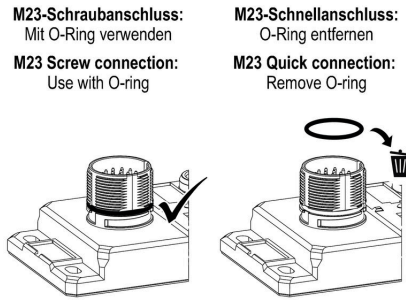
www.weidmueller.com

Drawings

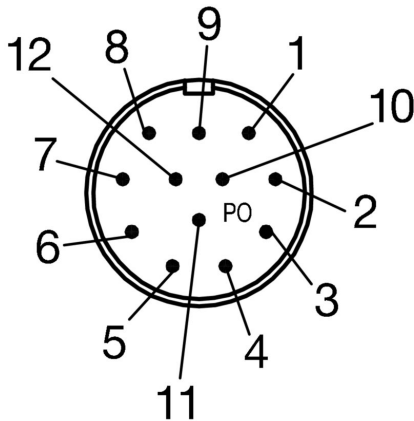
Dimensioned drawing



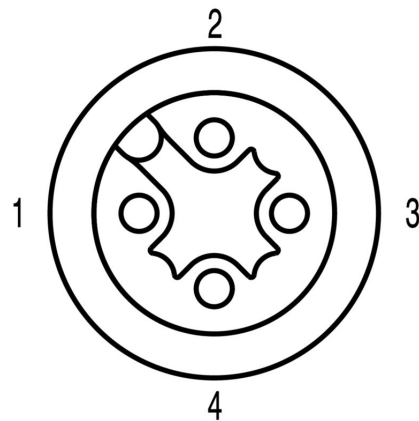
Detailed drawing



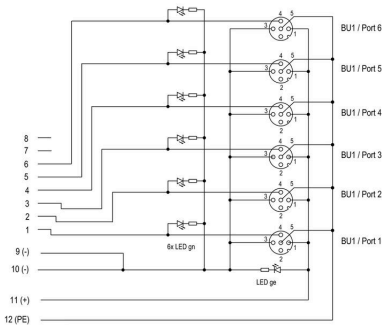
Pole scheme



Pole scheme



Wiring diagram



## SAI-06D-VP3V-4A-P12L-PNP

Weidmüller Interface GmbH &amp; Co. KG

Klingenbergstraße 26

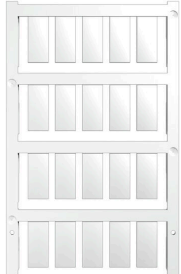
D-32758 Detmold

Germany

www.weidmueller.com

## Accessories

## Blank



ESG is the tried-and-tested marker in MultiCard format for use on many well-known electrical devices. The result is high-quality device marking with a high-contrast appearance.

Various types are available for devices from manufacturers like Siemens, ABB, Beckhoff etc.

Advantages at a glance:

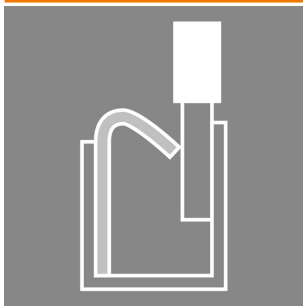
- Tags for universal usage, self-adhesive or clip-on tags, depending on type
- For aligned equipment, e.g. circuit breakers, we supply ESG markers for clipping onto tag rails
- Individual laser-quality printing according to specifications

For custom printing: Please send us a file of our labeling software M-Print PRO or M-Print PRO Online (without installation) for your labeling specifications.

## General ordering data

Type	ESG 9/20 MC NE WS	Version	
Order No.	<a href="#">1609940000</a>	ESG, Device markers x 20 mm, PA 66, Colour: white, pluggable	
GTIN (EAN)	4008190203528		
Qty.	200 ST		

## PUSH IN



Individual cable lengths are often required nowadays. In order to meet these demands, Weidmüller offers a wide range of plug-in connectors for custom assembly. Male plugs and female socket for customisable assembly for M8, M12, M16 and 7/8" connections which are highly robust and ideally suited to machine engineering, for instance. The M12 plug-in connectors offer a choice of 5 different connection systems.

## General ordering data

Type	SAISGP-P-4A-4/8-P12	Version	
Order No.	<a href="#">3153290000</a>	Field attachable connector, M12 Push-Pull	
GTIN (EAN)	4099987636162		
Qty.	1 ST		
Type	SAISWP-P-4A-4/8-P12	Version	
Order No.	<a href="#">3153300000</a>	Field attachable connector, M12 Push-Pull	
GTIN (EAN)	4099987636179		
Qty.	1 ST		

## SAI-06D-VP3V-4A-P12L-PNP

**Weidmüller Interface GmbH & Co. KG**  
Klingenbergstraße 26  
D-32758 Detmold  
Germany

[www.weidmueller.com](http://www.weidmueller.com)

## Accessories

### M12



Protective caps protect unassigned plug-in stations against external influences.

### General ordering data

Type	SAI-SK-M12-PushPull	Version	
Order No.	<a href="#">3123470000</a>	Protected component assemblies, Protective cap	
GTIN (EAN)	4099987270120		
Qty.	1 ST		