

FP BOX DCM

Weidmüller Interface GmbH & Co. KG

Klingenbergstraße 26

D-32758 Detmold

Germany

www.weidmueller.com



The FieldPower® power distributors support error-free installation in an extremely short space of time. Branches and functions integrated in the cover can simply be plugged in. Robust with high protection degree.

General ordering data

Version	FieldPower® power distribution box, DC, IP65, in complete state, glass-fibre reinforced polycarbonate, Insulation displacement connection (IDC), PUSH IN, Distribution
Order No.	3021790000
Type	FP BOX DCM
GTIN (EAN)	4099986937857
Qty.	1 items

FP BOX DCM

Weidmüller Interface GmbH & Co. KG
 Klingenbergstraße 26
 D-32758 Detmold
 Germany

www.weidmueller.com

Technical data

Dimensions and weights

Depth	67 mm	Depth (inches)	2.6378 inch
Height	181 mm	Height (inches)	7.126 inch
Width	104 mm	Width (inches)	4.0945 inch
Net weight	542.93 g		

Temperatures

Storage temperature	-40 °C...85 °C	Operating temperature	-40 °C...55 °C
---------------------	----------------	-----------------------	----------------

Environmental Product Compliance

RoHS Compliance Status	Compliant without exemption
REACH SVHC	Potassium perfluorobutane sulfonate 29420-49-3
SCIP	5f19cd84-8946-4797-9386-3ac323b95c10

Clamping capacity

Connection data - contact element Branch / Feed-in	Wire connection method	PUSH IN	
	Blade size of operating tool	0.6 x 3.5 mm	
	Stripping length	14.00 mm	
	Number of poles	5	
	Conductor connection cross-section, solid, max.	6 mm ²	
	Conductor connection cross-section, solid, min.	0.50 mm ²	
	Conductor connection cross-section, stranded, max.	6.00 mm ²	
	Conductor connection cross-section, stranded, min.	0.50 mm ²	
	Conductor connection cross-section, finely stranded, max.	10.00 mm ²	
	Conductor connection cross-section, finely stranded, min.	0.50 mm ²	
	Conductor connection cross-section, finest stranded, max.	6.00 mm ²	
	Conductor connection cross-section, finest stranded, min.	0.50 mm ²	
	Conductor connection cross-section with wire end ferrule	Type of wire end ferrule	12 mm with plastic collar
		Standard	DIN 46228/4
		Cross-section, min.	0.5 mm ²
		Cross-section, max.	6 mm ²
		Type of wire end ferrule	12 mm with plastic collar
		Standard	DIN 46228/4
		Cross-section, min.	0.5 mm ²
		Cross-section, max.	6 mm ²
Type of wire end ferrule		8 mm with plastic collar	
Standard		DIN 46228/4	
Cross-section, min.		0.5 mm ²	
Cross-section, max.		6 mm ²	
Type of wire end ferrule	8 mm with plastic collar		
Standard	DIN 46228/4		
Cross-section, min.	0.5 mm ²		
Cross-section, max.	6 mm ²		
Type of wire end ferrule	Twin wire-end ferrules		

FP BOX DCM

Weidmüller Interface GmbH & Co. KG

Klingenbergstraße 26
D-32758 Detmold
Germany

www.weidmueller.com

Technical data

Connection data - contact element power bus		Cross-section, min.	0.5 mm ²
		Cross-section, max.	6 mm ²
	Wire connection method	Insulation displacement connection (IDC)	
	Blade size of operating tool	0.6 x 3.5 mm	
	Number of poles	5	
	Conductor connection cross-section, solid, max.	6 mm ²	
	Conductor connection cross-section, solid, min.	1.50 mm ²	
	Conductor connection cross-section, stranded, max.	6.00 mm ²	
	Conductor connection cross-section, stranded, min.	2.50 mm ²	
	Conductor connection cross-section, finely stranded, max.	6.00 mm ²	
Conductor connection cross-section, finely stranded, min.	2.50 mm ²		

General data

Basic material	Polycarbonate, GRP	Insulating material	Polycarbonate
Enclosure material	glass-fibre reinforced polycarbonate	Silicone	No
Colour	black	Protection degree	IP65, in complete state
UL 94 flammability rating	5VA	Torque for lid screws	2 Nm
Lid attachment	TX20 screws	Type of mounting	Screw mounting, Fixing lugs
Installation advice	Lid screws included	Function	Distribution
Can be coded	Coded on PE + GND	Voltage type	DC
Number of poles	5	Number of connections / pole	1
Wire connection method	Insulation displacement connection (IDC), PUSH IN		

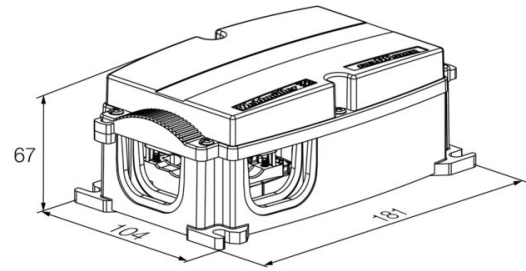
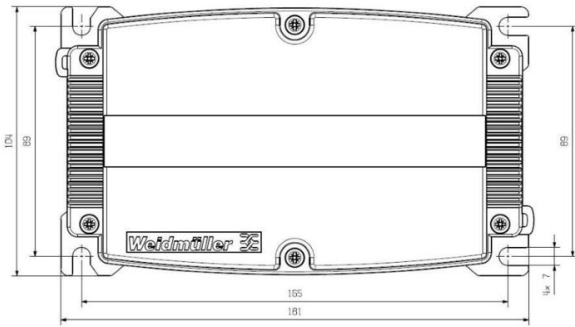
Rated data acc. to UL

Standards	UL 2237
-----------	---------

Classifications

ETIM 8.0	EC000214	ETIM 9.0	EC000214
ETIM 10.0	EC000214	ECLASS 14.0	27-14-24-09
ECLASS 15.0	27-14-24-09		

Drawings



Accessories

Seals



Intelligent cabling solutions can save you valuable time and money.

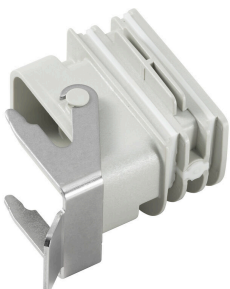
The FieldPower® modular system contains the right solution for every cabling task.

Foldable seals for the use of pre-assembled cables
 Seals available with M16 and M20 connection thread
 Integration of operating and signalling devices into the seal possible

General ordering data

Type	RKDG D9 PT6	Version
Order No.	4329610000	Field Power® sealing insert, Foldable seal, IP65 with corresponding
GTIN (EAN)	4032248668687	housing, IP65, with corresponding enclosure, EPDM
Qty.	10 ST	
Type	RKDG D11 PT6	Version
Order No.	4323210000	Field Power® sealing insert, Foldable seal, IP65 with corresponding
GTIN (EAN)	4032248641215	housing, IP65, with corresponding enclosure, EPDM
Qty.	10 ST	
Type	RKDG D13 PT6	Version
Order No.	4323230000	Field Power® sealing insert, Foldable seal, IP65 with corresponding
GTIN (EAN)	4032248641239	housing, IP65, with corresponding enclosure, EPDM
Qty.	10 ST	
Type	RKDG D15 PT6	Version
Order No.	4323220000	Field Power® sealing insert, Foldable seal, IP65 with corresponding
GTIN (EAN)	4032248641222	housing, IP65, with corresponding enclosure, EPDM
Qty.	10 ST	
Type	RKDG D17 PT6	Version
Order No.	4324010000	Field Power® sealing insert, Foldable seal, IP65 with corresponding
GTIN (EAN)	4032248641284	housing, IP65, with corresponding enclosure, EPDM
Qty.	10 ST	
Type	RKDG 2XD8.5 WG PT6	Version
Order No.	1114530000	Field Power® sealing insert, Seal, IP54, with corresponding
GTIN (EAN)	4032248892624	enclosure, EPDM
Qty.	10 ST	

Adapters



HQ adapter for FieldPower®

Tool-free installation like a FieldPower cable seal
 Suitable for the HQ 4/2, HQ 8 and HQ 17 plug-in connector inserts

Optionally with lockable protective cover (protection against being switched on again, in accordance with EN 60204-1)

FP BOX DCM

Weidmüller Interface GmbH & Co. KG
 Klingenbergstraße 26
 D-32758 Detmold
 Germany

www.weidmueller.com

Accessories

General ordering data

Type	BG ARGH HQP ALU PT6	Version
Order No.	1532200000	Adapter, Field Power® sealing insert, HQ adapter, IP65, with corresponding enclosure, Polycarbonate, glass fibre reinforced, lockable: No
GTIN (EAN)	4050118337433	
Qty.	1 ST	
Type	BG ARGH HQP ALU PT6 CS	Version
Order No.	1532210000	Adapter, Field Power® sealing insert, HQ adapter, IP65, with corresponding enclosure, Polycarbonate, glass fibre reinforced, lockable: Yes
GTIN (EAN)	4050118337600	
Qty.	1 ST	

Seals



Intelligent cabling solutions can save you valuable time and money.

The FieldPower® modular system contains the right solution for every cabling task.

Foldable seals for the use of pre-assembled cables
 Seals available with M16 and M20 connection thread
 Integration of operating and signalling devices into the seal possible

General ordering data

Type	DG D0 PT6	Version
Order No.	4323240000	Field Power® sealing insert, Blank seal, IP65, with corresponding enclosure, EPDM
GTIN (EAN)	4032248641246	
Qty.	10 ST	
Type	DG M16 PT6	Version
Order No.	2545540000	Field Power® sealing insert, Seal with connection thread, IP65, with corresponding enclosure, EPDM
GTIN (EAN)	4050118555523	
Qty.	1 ST	
Type	DG M20 PT6	Version
Order No.	2545550000	Field Power® sealing insert, Seal with connection thread, IP65, with corresponding enclosure, EPDM
GTIN (EAN)	4050118555530	
Qty.	1 ST	

Tools



Sheathing stripper for PVC cables

General ordering data

Type	AM 16	Version
Order No.	9204190000	Tools, Sheathing strippers
GTIN (EAN)	4032248608133	
Qty.	1 ST	

FP BOX DCM

Weidmüller Interface GmbH & Co. KG

Klingenbergstraße 26

D-32758 Detmold

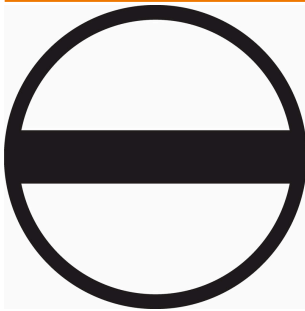
Germany

www.weidmueller.com

Accessories

Type	AM 25	Version	
Order No.	9001540000	Tools, Sheathing strippers	
GTIN (EAN)	4008190138271		
Qty.	1 ST		

Slotted screwdriver



Slotted screwdriver with rounded blade SD DIN 5265, ISO 2380/2, output to DIN 5264, ISO 2380/1. ChromTop tip, SoftFinish grip

General ordering data

Type	SDS 0.6X3.5X100	Version	
Order No.	2749340000	Screwdriver, Blade width (B): 3.5 mm, Blade length: 100 mm, Blade thickness (A): 0.6 mm	
GTIN (EAN)	4050118895568		
Qty.	1 ST		

Bits E6,3 - Torx®



The Weidmüller bits are standard bits which are highly popular with users thanks to their good quality, large range and efficiency. The computer-controlled hardening method enables Weidmüller to guarantee a consistently high standard of quality.

The high-quality raw materials used make it possible to reach torques far higher than any of those specified in the relevant DIN standards:

- DIN 5261 for PH/PZ bits,
- DIN 5263 for slotted bits,
- Camcar standard for TORX bits

That means a long life at high torques and hence ideal conditions for standard situations.

The benefits:

- Suitable for all types of screws. Because of their excellent hardness values of 59-61 HRC, they are suitable for use with both manual and power tools.
- Good wearing resistance and thus a long life expectancy.
- Optimum fit in all DIN screws means low wear and optimum torque transmission.
- Manufactured to meet professional quality criteria according to relevant ISO standards with a consistently high standard of quality.

FP BOX DCM

Weidmüller Interface GmbH & Co. KG
 Klingenbergstraße 26
 D-32758 Detmold
 Germany

www.weidmueller.com

Accessories

General ordering data

Type	BIT E6,3 T20 X 70	Version	
Order No.	2749010000	Version	Screwdriver insert
GTIN (EAN)	4050118895308		
Qty.	5 ST		

DMS PRO



Weidmüller torque screwdrivers have an ergonomic design and are therefore ideal for use with one hand. They can be used without causing fatigue in all installation positions. Apart from that, they incorporate an automatic torque limiter and have a good reproducibility accuracy.

General ordering data

Type	DMS PRO	Version	
Order No.	1479120000	Version	Mounting tool
GTIN (EAN)	4050118287011		
Qty.	1 ST		

Plastic lock nuts, grey



In addition to cable glands for a wide range of applications, the product portfolio is rounded off by plugs, pressure compensation elements, adaptors and the corresponding accessories such as locknuts, sealing rings, flat washers and earthing rings.

General ordering data

Type	SKMU M20 - K GR	Version	
Order No.	1772460000	Version	SKMU PA (plastic locknut), Locknut, M 20, 6 mm, Polyamid 6 (PA6 - GF30)
GTIN (EAN)	4032248130207		
Qty.	100 ST		

FP BOX DCM

Weidmüller Interface GmbH & Co. KG
 Klingenbergstraße 26
 D-32758 Detmold
 Germany

www.weidmueller.com

Accessories

IP68 version



In addition to the extensive range of enclosures, Weidmüller offers a variety of cable glands for a wide range of applications. The cable glands made of brass, plastic and stainless steel meet the most various IP protection classes to suit any industrial enclosure. Depending on the series of cable glands and the application, the cable glands are approved and tested according to VDE, UL, UR, cULus, DNV GL or EN 45545.

General ordering data

Type	VG M20 - K 68	Version
Order No.	2811470000	VG K (standard plastic cable gland), Cable glands, straight, M 20, 10 mm, OD min. 10 - OD max. 14 mm, IP54, IP66, IP67, IP68 - 5 bar (30 min.), Polyamide 6
GTIN (EAN)	4064675292227	
Qty.	50 ST	
Type	VG M20-1/K68	Version
Order No.	1772300000	VG K (standard plastic cable gland), Cable glands, straight, M 20, 10 mm, OD min. 6 - OD max. 12 mm, IP54, IP66, IP67, IP68 - 5 bar (30 min.), Polyamide 6
GTIN (EAN)	4032248129966	
Qty.	50 ST	

Plug-in connector



Power distribution using uncut cables with cross-sections from 1.5 to 6 mm². Power supply / T-branch tap via PUSH IN connection (0.5 to 10 mm²) and/or plug-in connection (0.5 to 4 mm²). Coloured markings provide clear assignment of wires.

- Power supply
- Power distribution
- Power branching

General ordering data

Type	PTS 4 DCM	Version
Order No.	3020950000	Field Power® plug-in connector, DC, IP20, Polyamide, PUSH IN, Number of poles : 5
GTIN (EAN)	4099986937192	
Qty.	10 ST	
Type	PTDS 4 DCM	Version
Order No.	3021770000	Field Power® plug-in connector, DC, IP20, Polyamide, PUSH IN, Number of poles : 5
GTIN (EAN)	4099986937833	
Qty.	10 ST	