

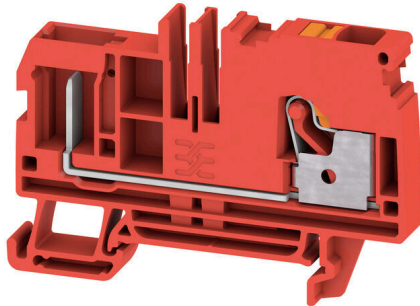
APGTB 6 FT 2C/1 RD**Weidmüller Interface GmbH & Co. KG**

Klingenbergstraße 26

D-32758 Detmold

Germany

www.weidmueller.com



Some applications demand for a pluggable, modular solution to be more flexible or to facilitate the installation. Where complete functional units have to be prefabricated or replaced, modular and flexible connection systems are required. Our pluggable terminal blocks can be quickly assembled and are completely factory tested.

General ordering data

Version	Plug-in modular terminals, PUSH IN, 6 mm ² , 800 V, 41 A, dark beige
Order No.	3002320000
Type	APGTB 6 FT 2C/1 RD
GTIN (EAN)	4099986903227
Qty.	50 items

APGTB 6 FT 2C/1 RD

Weidmüller Interface GmbH & Co. KG
Klingenbergstraße 26
D-32758 Detmold
Germany

www.weidmueller.com

Technical data

Approvals

Approvals



UL File Number Search [UL Website](#)
Certificate No. (cURus) E60693

Dimensions and weights

Depth	45.5 mm	Depth (inches)	1.7913 inch
Height	66.5 mm	Height (inches)	2.6181 inch
Width	6.1 mm	Width (inches)	0.2402 inch
Net weight	14.13 g		

Temperatures

Continuous operating temp., min.	-60 °C	Continuous operating temp., max.	130 °C
----------------------------------	--------	----------------------------------	--------

Environmental Product Compliance

RoHS Compliance Status Compliant without exemption
REACH SVHC No SVHC above 0.1 wt%

Material data

Basic material	Wemid	Colour	dark beige
Colour of operational elements	orange	UL 94 flammability rating	V-0

System specifications

End cover plate required	Yes	Number of potentials	1
Number of levels	1	Number of clamping points per level	1
Levels cross-connected internally	No	PE connection	No
N-function	No	PE function	No
PEN function	No		

Additional technical data

Open sides	right	Snap-on	No
Type of fixing	Snap-on	Explosion-tested version	No
Type of mounting	TS 35		

Conductors for clamping (additional connection)

Connection type, additional connection pluggable

Conductors for clamping (rated connection)

Gauge to IEC 60947-1	A5	Wire connection cross section AWG, max.	AWG 8
Connection direction	top	Stripping length	12 mm
Type of connection	PUSH IN	Number of connections	2
Clamping range, max.	10 mm ²	Clamping range, min.	0.34 mm ²

APGTB 6 FT 2C/1 RD

Weidmüller Interface GmbH & Co. KG

Klingenbergstraße 26
D-32758 Detmold
Germany

www.weidmueller.com

Technical data

Blade size	1.0 x 5.5 mm	Wire connection cross section AWG, min.	AWG 22
Wire connection cross-section, finely stranded with wire-end ferrules DIN 46228/4, max.	6 mm ²	Wire connection cross-section, finely stranded with wire-end ferrules DIN 46228/4, min.	0.34 mm ²
Wire connection cross-section, finely stranded with wire-end ferrules DIN 46228/1, max.	6 mm ²	Wire connection cross-section, finely stranded with wire-end ferrules DIN 46228/1, min.	0.34 mm ²
Wire connection cross section, finely stranded, max.	10 mm ²	Wire connection cross section, finely stranded, min.	0.34 mm ²
Connection cross-section, stranded, max.	6 mm ²	Connection cross-section, stranded, min.	0.34 mm ²
Wire connection cross-section, solid core, max.	6 mm ²	Wire connection cross-section, solid core, min.	0.34 mm ²

General

Wire connection cross section AWG, max.	AWG 8	Wire connection cross section AWG, min.	AWG 22
---	-------	---	--------

Rating data

Rated cross-section	6 mm ²	Rated voltage	800 V
Rated DC voltage	800 V	Nominal current	41 A
Current at maximum wires	41 A	Volume resistance according to IEC 60947-7-x	0.78 mΩ
Rated impulse withstand voltage	8 kV	Power loss in accordance with IEC 60947-7-x	1.31 mW
Surge voltage category	III	Pollution severity	3

UL rating data

Conductor size Factory wiring max. (cURus)	8 AWG	Voltage size B (cURus)	600 V
Voltage size D (cURus)	600 V	Certificate No. (cURus)	E60693
Conductor size Field wiring min. (cURus)	22 AWG	Conductor size Factory wiring min. (cURus)	22 AWG
Current size B (cURus)	37 A	Voltage size C (cURus)	600 V
Current size C (cURus)	37 A	Current size D (cURus)	5 A
Conductor size Field wiring max. (cURus)	8 AWG		

Classifications

ETIM 8.0	EC000897	ETIM 9.0	EC000897
ETIM 10.0	EC000897	ECLASS 14.0	27-25-01-17
ECLASS 15.0	27-25-01-17		

Drawings



APGTB 6 FT 2C/1 RD

Weidmüller Interface GmbH & Co. KG
 Klingenbergstraße 26
 D-32758 Detmold
 Germany

Accessories

www.weidmueller.com

Cross-connections



The distribution or multiplication of a potential to adjoining terminal blocks is realized via a cross-connection. Additional wiring effort can be easily avoided. Even if the poles are broken out, contact reliability in the terminal blocks is still ensured. Our portfolio offers pluggable and screwable cross-connection systems for modular terminal blocks.

General ordering data

Type	ZQV 6N/10	Version
Order No.	2733970000	Cross-connector (terminal), Plugged, orange, 41 A, Number of poles:
GTIN (EAN)	4064675066811	10, Pitch in mm (P): 8.00, Insulated: Yes, Width: 3.1 mm
Qty.	20 ST	
Type	ZQV 6N/10 BL	Version
Order No.	2786910000	Cross-connector (terminal), Plugged, blue, 41 A, Number of poles: 10,
GTIN (EAN)	4064675064602	Pitch in mm (P): 8.00, Insulated: Yes, Width: 78.7 mm
Qty.	20 ST	
Type	ZQV 6N/2	Version
Order No.	1985740000	Cross-connector (terminal), Plugged, orange, 41 A, Number of poles:
GTIN (EAN)	4050118370362	2, Pitch in mm (P): 8.00, Insulated: Yes, Width: 13.7 mm
Qty.	60 ST	
Type	ZQV 6N/2 BL	Version
Order No.	1985830000	Cross-connector (terminal), Plugged, blue, 41 A, Number of poles: 2,
GTIN (EAN)	4050118370232	Pitch in mm (P): 8.00, Insulated: Yes, Width: 13.7 mm
Qty.	60 ST	
Type	ZQV 6N/20	Version
Order No.	2810820000	Cross-connector (terminal), Plugged, orange, 41 A, Number of poles:
GTIN (EAN)	4064675283430	20, Pitch in mm (P): 8.00, Insulated: Yes, Width: 4.95 mm
Qty.	20 ST	
Type	ZQV 6N/3	Version
Order No.	1985760000	Cross-connector (terminal), Plugged, orange, 41 A, Number of poles:
GTIN (EAN)	4050118370263	3, Pitch in mm (P): 8.00, Insulated: Yes, Width: 21.8 mm
Qty.	60 ST	
Type	ZQV 6N/3 BL	Version
Order No.	1985840000	Cross-connector (terminal), Plugged, blue, 41 A, Number of poles: 3,
GTIN (EAN)	4050118370379	Pitch in mm (P): 8.00, Insulated: Yes, Width: 21.8 mm
Qty.	60 ST	
Type	ZQV 6N/4	Version
Order No.	1985780000	Cross-connector (terminal), Plugged, orange, 41 A, Number of poles:
GTIN (EAN)	4050118370287	4, Pitch in mm (P): 8.00, Insulated: Yes, Width: 29.9 mm
Qty.	60 ST	
Type	ZQV 6N/4 BL	Version
Order No.	1985850000	Cross-connector (terminal), Plugged, blue, 41 A, Number of poles: 4,
GTIN (EAN)	4050118370447	Pitch in mm (P): 8.00, Insulated: Yes, Width: 29.9 mm
Qty.	60 ST	
Type	ZQV 6N/6	Version
Order No.	2733950000	Cross-connector (terminal), Plugged, orange, 41 A, Number of poles:
GTIN (EAN)	4064675066699	6, Pitch in mm (P): 8.00, Insulated: Yes, Width: 3.1 mm
Qty.	20 ST	

APGTB 6 FT 2C/1 RD

Weidmüller Interface GmbH & Co. KG
 Klingenbergstraße 26
 D-32758 Detmold
 Germany

www.weidmueller.com

Accessories

Type	ZQV 6N/6 BL	Version
Order No.	2786890000	Cross-connector (terminal), Plugged, blue, 41 A, Number of poles: 6,
GTIN (EAN)	4064675064572	Pitch in mm (P): 8.00, Insulated: Yes, Width: 46.3 mm
Qty.	20 ST	
Type	ZQV 6N/7	Version
Order No.	2733960000	Cross-connector (terminal), Plugged, orange, 41 A, Number of poles:
GTIN (EAN)	4064675066804	7, Pitch in mm (P): 8.00, Insulated: Yes, Width: 3.1 mm
Qty.	20 ST	
Type	ZQV 6N/7 BL	Version
Order No.	2786900000	Cross-connector (terminal), Plugged, blue, 41 A, Number of poles: 7,
GTIN (EAN)	4064675064596	Pitch in mm (P): 8.00, Insulated: Yes, Width: 54.4 mm
Qty.	20 ST	

End bracket



Weidmüller's range of products includes end brackets that guarantee a permanent, reliable mounting on the terminal rail and prevent sliding. Versions with and without screws are available. The end brackets include marking options, also for group markers, and also a test plug holder.

General ordering data

Type	AEB 35 SC/1	Version
Order No.	1991920000	A-series, End bracket
GTIN (EAN)	4050118376722	
Qty.	50 ST	
Type	AEB 35 SC/1 BK	Version
Order No.	2475310000	A-series, End bracket
GTIN (EAN)	4050118487114	
Qty.	50 ST	
Type	AEB 35 SC/1 RM	Version
Order No.	3112300000	A-series, End bracket
GTIN (EAN)	4099987196413	
Qty.	50 ST	
Type	AEB 35 SCL/1 RM	Version
Order No.	3112310000	A-series, End bracket
GTIN (EAN)	4099987196420	
Qty.	20 ST	
Type	AEB 35 SCL/1 V0	Version
Order No.	2661280000	A-series, End bracket
GTIN (EAN)	4050118702163	
Qty.	20 ST	
Type	AEB 35 SCL/1 V0 BK	Version
Order No.	2661300000	A-series, End bracket
GTIN (EAN)	4050118702187	
Qty.	20 ST	

APGTB 6 FT 2C/1 RD

Weidmüller Interface GmbH & Co. KG
 Klingenbergstraße 26
 D-32758 Detmold
 Germany

www.weidmueller.com

Accessories

Type	AEB 35 SCL/1 V0 GY	Version
Order No.	2661290000	A-series, End bracket
GTIN (EAN)	4050118702170	
Qty.	20 ST	

End plates and partition plates



Partition plates and end plates are essential accessories for terminal blocks. Partition plates provide optical and electrical separation of different potentials and functional groups, increasing safety and ensuring a clear structure inside the control cabinet. End plates close the terminal block row on the sides, protect against contact with live parts, and ensure a clean, stable finish. Both components are precisely matched to the respective Weidmüller terminal block series, contributing to safe, compliant, and professional wiring.

General ordering data

Type	AEP 2C 6	Version
Order No.	1991970000	A-series, End plate
GTIN (EAN)	4050118376692	
Qty.	50 ST	
Type	AEP 2C 6 BL	Version
Order No.	1991950000	A-series, End plate
GTIN (EAN)	4050118376739	
Qty.	50 ST	
Type	AEP 2C 6 OR	Version
Order No.	2052520000	A-series, End plate
GTIN (EAN)	4050118412123	
Qty.	50 ST	

Plugs



The plugs for our WeiCoS-System are available for all different connection systems. The product range includes preassembled connectors from 1 to 10 poles and the possibility of an individual assembly. This ensures maximum flexibility for every application. The customized accessories increase the safety and protection against environmental influences.

General ordering data

Type	APG 6 L BK	Version
Order No.	3002500000	Plug, 6 mm ² , 800 V, 41 A, Number of poles: 1, dark beige
GTIN (EAN)	4099986903371	
Qty.	50 ST	
Type	APG 6 L BL	Version
Order No.	3002490000	Plug, 6 mm ² , 800 V, 41 A, Number of poles: 1, dark beige
GTIN (EAN)	4099986903364	
Qty.	50 ST	

APGTB 6 FT 2C/1 RD

Weidmüller Interface GmbH & Co. KG
 Klingenbergstraße 26
 D-32758 Detmold
 Germany

www.weidmueller.com

Accessories

Type	APG 6 L GN	Version
Order No.	3002480000	Plug, 6 mm², 800 V, 41 A, Number of poles: 1, dark beige
GTIN (EAN)	4099986903357	
Qty.	50 ST	
Type	APG 6 L OR	Version
Order No.	3002520000	Plug, 6 mm², 800 V, 41 A, Number of poles: 1, dark beige
GTIN (EAN)	4099986903395	
Qty.	50 ST	
Type	APG 6 L RD	Version
Order No.	3002510000	Plug, 6 mm², 800 V, 41 A, Number of poles: 1, dark beige
GTIN (EAN)	4099986903388	
Qty.	50 ST	
Type	APG 6 MI BK	Version
Order No.	3002450000	Plug, 6 mm², 800 V, 41 A, Number of poles: 1, dark beige
GTIN (EAN)	4099986903326	
Qty.	50 ST	
Type	APG 6 MI BL	Version
Order No.	3002440000	Plug, 6 mm², 800 V, 41 A, Number of poles: 1, dark beige
GTIN (EAN)	4099986903319	
Qty.	50 ST	
Type	APG 6 MI GN	Version
Order No.	3002430000	Plug, 6 mm², 800 V, 41 A, Number of poles: 1, dark beige
GTIN (EAN)	4099986903302	
Qty.	50 ST	
Type	APG 6 MI OR	Version
Order No.	3002470000	Plug, 6 mm², 800 V, 41 A, Number of poles: 1, dark beige
GTIN (EAN)	4099986903340	
Qty.	50 ST	
Type	APG 6 MI RD	Version
Order No.	3002460000	Plug, 6 mm², 800 V, 41 A, Number of poles: 1, dark beige
GTIN (EAN)	4099986903333	
Qty.	50 ST	
Type	APG 6 R BK	Version
Order No.	3002380000	Plug, 6 mm², 800 V, 41 A, Number of poles: 1, dark beige
GTIN (EAN)	4099986903272	
Qty.	50 ST	
Type	APG 6 R BL	Version
Order No.	3002370000	Plug, 6 mm², 800 V, 41 A, Number of poles: 1, dark beige
GTIN (EAN)	4099986903265	
Qty.	50 ST	
Type	APG 6 R GN	Version
Order No.	3002350000	Plug, 6 mm², 800 V, 41 A, Number of poles: 1, dark beige
GTIN (EAN)	4099986903258	
Qty.	50 ST	
Type	APG 6 R OR	Version
Order No.	3002400000	Plug, 6 mm², 800 V, 41 A, Number of poles: 1, dark beige
GTIN (EAN)	4099986903296	
Qty.	50 ST	
Type	APG 6 R RD	Version
Order No.	3002390000	Plug, 6 mm², 800 V, 41 A, Number of poles: 1, dark beige
GTIN (EAN)	4099986903289	
Qty.	50 ST	

APGTB 6 FT 2C/1 RD

Weidmüller Interface GmbH & Co. KG
 Klingenbergstraße 26
 D-32758 Detmold
 Germany

www.weidmueller.com

Accessories

Type	APG 6/10	Version
Order No.	2829070000	Plug, 6 mm ² , 800 V, 41 A, Number of poles: 10, beige
GTIN (EAN)	4064675382782	
Qty.	10 ST	
Type	APG 6/2	Version
Order No.	2882750000	Plug, 6 mm ² , 800 V, 41 A, Number of poles: 2, beige
GTIN (EAN)	4064675758273	
Qty.	25 ST	
Type	APG 6/3	Version
Order No.	2882690000	Plug, 6 mm ² , 800 V, 41 A, Number of poles: 3, beige
GTIN (EAN)	4064675758211	
Qty.	25 ST	
Type	APG 6/4	Version
Order No.	2829060000	Plug, 6 mm ² , 800 V, 41 A, Number of poles: 4, beige
GTIN (EAN)	4064675382768	
Qty.	25 ST	
Type	APG 6/5	Version
Order No.	2882700000	Plug, 6 mm ² , 800 V, 41 A, Number of poles: 5, beige
GTIN (EAN)	4064675758228	
Qty.	25 ST	
Type	APG 6/6	Version
Order No.	2882710000	Plug, 6 mm ² , 800 V, 41 A, Number of poles: 6, beige
GTIN (EAN)	4064675758235	
Qty.	25 ST	
Type	APG 6/7	Version
Order No.	2882720000	Plug, 6 mm ² , 800 V, 41 A, Number of poles: 7, beige
GTIN (EAN)	4064675758242	
Qty.	20 ST	
Type	APG 6/8	Version
Order No.	2882730000	Plug, 6 mm ² , 800 V, 41 A, Number of poles: 8, beige
GTIN (EAN)	4064675758259	
Qty.	20 ST	
Type	APG 6/9	Version
Order No.	2882740000	Plug, 6 mm ² , 800 V, 41 A, Number of poles: 9, beige
GTIN (EAN)	4064675758266	
Qty.	10 ST	
Type	APGCE	Version
Order No.	1514490000	Coding element (terminal), Wemid, orange, Width: 3.3 mm
GTIN (EAN)	4050118321906	
Qty.	50 ST	
Type	APG 6/1	Version
Order No.	2762320000	Plug, 6 mm ² , 500 V, 30 A, Number of poles: 1, dark beige
GTIN (EAN)	4064675021322	
Qty.	50 ST	

APGTB 6 FT 2C/1 RD

Weidmüller Interface GmbH & Co. KG
Klingenbergstraße 26
D-32758 Detmold
Germany

www.weidmueller.com

Accessories

Testadapter and testsockets



Test adapters and test plugs are used for the electrical connection between terminal blocks and the test equipment. In this way, an electrical contact can be established in the wired state and measurements can be done easily.

General ordering data

Type	FZS 2/4 RT/80 SAKT4	Version	
Order No.	1276300000	Plug (terminal), Plug-in connection, 2 mm ² , Number of connections: 2,	
GTIN (EAN)	4008190026080	Number of poles: 1, Width: 9 mm	
Qty.	20 ST		