

**WBC-P-10RE-95****Weidmüller Interface GmbH & Co. KG**

Klingenbergstraße 26

D-32758 Detmold

Germany

[www.weidmueller.com](http://www.weidmueller.com)

Battery storage systems are playing an increasingly important role in the field of renewable energies. They usually consist of several individual batteries that need to be quick and easy to replace. The Weidmüller Battery Connector (WBC) makes it possible to connect several individual batteries to an ESS in just a few simple steps – and to disconnect the connections just as quickly if required. For more safety and easy handling, the poles are clearly marked: The positive pole in orange and the negative pole in black.

**General ordering data**

Order No.	2991950000
Type	<a href="#">WBC-P-10RE-95</a>
GTIN (EAN)	4099986869110
Qty.	5 items
Delivery status	This article will no longer be available in the future.
Available until	2026-09-29T00:00:00+02:00

## WBC-P-10RE-95

Weidmüller Interface GmbH &amp; Co. KG

Klingenbergstraße 26

D-32758 Detmold

Germany

www.weidmueller.com

## Technical data

## Approvals

Approvals



ROHS Conform

UL File Number Search [UL Website](#)

Certificate No. (UR) E529699

## Dimensions and weights

Net weight 72.5 g

## Temperatures

Continuous operating temp., min. -40 °C Continuous operating temp., max. 125 °C

Humidity ≤85% RH

## Environmental Product Compliance

RoHS Compliance Status Compliant without exemption

REACH SVHC No SVHC above 0.1 wt%

## General Data

Outer cable diameter, max. 18.8 mm Outer cable diameter, min. 17.7 mm

Contact diameter, male Ø 10 mm Approvals UL 4128

Type of connection Crimp connection Colour red

Conductor cross-section, max. 95 mm<sup>2</sup> Surface finish silver

Type Female Basic material PA 66

## Technical Data

Vibration resistance 30g UL 94 flammability rating V-0

Volume resistance ≥ 5000 MΩ Nominal voltage 1500 V

Nominal current 350 A Protection degree IP67 plugged

Plugging cycles ≥ 100 Surge voltage category II

Operating altitude ≤ 2000 m Shock resistance V2

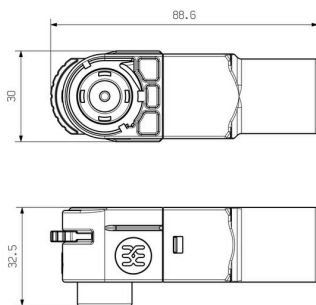
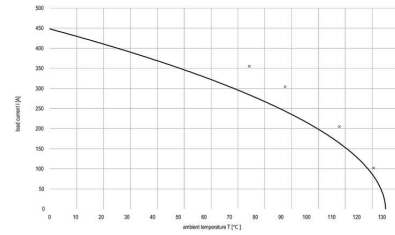
## Classifications

ETIM 8.0 EC001121 ETIM 9.0 EC001121

ETIM 10.0 EC001121 ECLASS 14.0 27-44-03-12

ECLASS 15.0 27-44-03-12

Drawings



## WBC-P-10RE-95

Weidmüller Interface GmbH &amp; Co. KG

Klingenbergstraße 26

D-32758 Detmold

Germany

www.weidmueller.com

## Accessories

## Tools



Crimping tools for cable lugs, connectors and wire-end ferrules with interchangeable inserts

- extremely fast processing thanks to hydraulic support
- large processing range up to 400 mm<sup>2</sup>
- 360° revolving quick action crimping head
- automatic pressure limitation and monitoring via pressure sensor
- Additional features for APG series:
- electronic control and monitoring of the crimping process
- Saving of all crimping cycles and error messages to internal memory
- Reading of all cycles and error messages via USB

## General ordering data

Type	APG 80	Version	
Order No.	<a href="#">2853270000</a>	6mm <sup>2</sup> , 400mm <sup>2</sup>	
GTIN (EAN)	4064675477020		
Qty.	1 ST		

## ... for crimp cable lugs (acc. to DIN 46234)



Crimping tools for cable lugs, connectors and wire-end ferrules with interchangeable inserts

- extremely fast processing thanks to hydraulic support
- large processing range up to 400 mm<sup>2</sup>
- 360° revolving quick action crimping head
- automatic pressure limitation and monitoring via pressure sensor
- Additional features for APG series:
- electronic control and monitoring of the crimping process
- Saving of all crimping cycles and error messages to internal memory
- Reading of all cycles and error messages via USB

## General ordering data

Type	ES APG 80 DIN 70	Version	
Order No.	<a href="#">1502890000</a>	70mm <sup>2</sup> , Indent crimp	
GTIN (EAN)	4050118310719		
Qty.	1 ST		