

**WBC-P-10RE-70****Weidmüller Interface GmbH & Co. KG**

Klingenbergstraße 26

D-32758 Detmold

Germany

www.weidmueller.com



Battery storage systems are playing an increasingly important role in the field of renewable energies. They usually consist of several individual batteries that need to be quick and easy to replace. The Weidmüller Battery Connector (WBC) makes it possible to connect several individual batteries to an ESS in just a few simple steps – and to disconnect the connections just as quickly if required. For more safety and easy handling, the poles are clearly marked: The positive pole in orange and the negative pole in black.

**General ordering data**

Order No.	2991910000
Type	<a href="#">WBC-P-10RE-70</a>
GTIN (EAN)	4099986868731
Qty.	5 items

## WBC-P-10RE-70

Weidmüller Interface GmbH & Co. KG  
Klingenbergstraße 26  
D-32758 Detmold  
Germany

www.weidmueller.com

## Technical data

## Approvals

Approvals



ROHS	Conform
UL File Number Search	<a href="#">UL Website</a>
Certificate No. (UR)	E529699

## Dimensions and weights

Net weight	72.5 g
------------	--------

## Temperatures

Continuous operating temp., min.	-40 °C	Continuous operating temp., max.	125 °C
Humidity	≤85% RH		

## Environmental Product Compliance

RoHS Compliance Status	Compliant without exemption
REACH SVHC	No SVHC above 0.1 wt%

## General Data

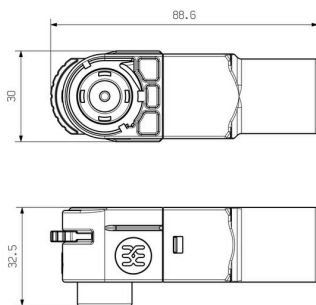
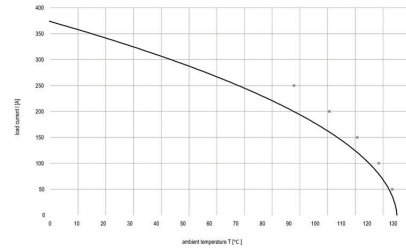
Outer cable diameter, max.	16 mm	Outer cable diameter, min.	15 mm
Contact diameter, male Ø	10 mm	Approvals	UL 4128
Type of connection	Crimp connection	Colour	red
Conductor cross-section, max.	70 mm <sup>2</sup>	Surface finish	silver
Type	Female	Basic material	PA 66

## Technical Data

Vibration resistance	30g	UL 94 flammability rating	V-0
Volume resistance	≥ 5000 MΩ	Nominal voltage	1500 V
Nominal current	250 A	Protection degree	IP67 plugged
Plugging cycles	≥ 100	Surge voltage category	II
Operating altitude	≤ 2000 m	Shock resistance	V2

## Classifications

ETIM 8.0	EC001121	ETIM 9.0	EC001121
ETIM 10.0	EC001121	ECLASS 14.0	27-44-03-12
ECLASS 15.0	27-44-03-12		



## WBC-P-10RE-70

Weidmüller Interface GmbH &amp; Co. KG

Klingenbergstraße 26

D-32758 Detmold

Germany

www.weidmueller.com

## Accessories

## Tools



Crimping tools for cable lugs, connectors and wire-end ferrules with interchangeable inserts

- extremely fast processing thanks to hydraulic support
- large processing range up to 400 mm<sup>2</sup>
- 360° revolving quick action crimping head
- automatic pressure limitation and monitoring via pressure sensor
- Additional features for APG series:
- electronic control and monitoring of the crimping process
- Saving of all crimping cycles and error messages to internal memory
- Reading of all cycles and error messages via USB

## General ordering data

Type	APG 80	Version	
Order No.	<a href="#">2853270000</a>	Version	6mm <sup>2</sup> , 400mm <sup>2</sup>
GTIN (EAN)	4064675477020		
Qty.	1 ST		

## ... for crimp cable lugs (acc. to DIN 46234)



Crimping tools for cable lugs, connectors and wire-end ferrules with interchangeable inserts

- extremely fast processing thanks to hydraulic support
- large processing range up to 400 mm<sup>2</sup>
- 360° revolving quick action crimping head
- automatic pressure limitation and monitoring via pressure sensor
- Additional features for APG series:
- electronic control and monitoring of the crimping process
- Saving of all crimping cycles and error messages to internal memory
- Reading of all cycles and error messages via USB

## General ordering data

Type	ES APG 80 DIN 70	Version	
Order No.	<a href="#">1502890000</a>	Version	70mm <sup>2</sup> , Indent crimp
GTIN (EAN)	4050118310719		
Qty.	1 ST		