

## USB3.1C S1H DN1 RL

**Weidmüller Interface GmbH & Co. KG**  
Klingenbergstraße 26  
D-32758 Detmold  
Germany

[www.weidmueller.com](http://www.weidmueller.com)



### General ordering data

Version	OMNIMATE Data - USB jack, PCB plug-in connector, USB 3.1, Type C, 10 Gbit/s, SMD solder connection, 90°, Plugging cycles: ≥ 10000, Number of poles: 24, LCP, Gold over nickel, Reel
Order No.	<a href="#">2987560000</a>
Type	USB3.1C S1H DN1 RL
GTIN (EAN)	4099986855052
Qty.	1050 items
Packaging	Reel

## USB3.1C S1H DN1 RL

Weidmüller Interface GmbH &amp; Co. KG

Klingenbergstraße 26

D-32758 Detmold

Germany

www.weidmueller.com

## Technical data

## Approvals

ROHS	Conform
------	---------

## Dimensions and weights

Depth	7.9 mm	Depth (inches)	0.311 inch
Height	3.21 mm	Height (inches)	0.1264 inch
Width	8.94 mm	Width (inches)	0.352 inch
Net weight	0.97 g		

## Environmental Product Compliance

RoHS Compliance Status	Compliant
REACH SVHC	No SVHC above 0.1 wt%

## System specifications

Number of poles	24	LED	No
Solder pin length (l)	1.15 mm	Mounting onto the PCB	SMD solder connection
Pitch in inches (P)	0.020 "	Shielding material	Brass
Shielding	Yes	Side termination, characteristic	Solder flange
Transmission rate	10 Gbit/s	Number of solder pins per pole	1
Type of connection	Solder connection	Product family	OMNIMATE Data - USB jack
Pitch in mm (P)	0.50 mm	Protection degree	IP20
Plugging cycles	≥ 10000	Outgoing elbow	90°
Shield surface	nickel-plated	Shield tabs	none
Performance-Category	10 Gbit/s	Soldering process	Reflow soldering, Manual soldering

## Electrical properties

Dielectric strength, contact / contact	100 V AC	Insulation resistance	≥ 100 MΩ
Nominal voltage	5 V		

## Material data

Insulating material	LCP	Colour	black
Colour chart (similar)	RAL 9011	Insulation resistance	≥ 100 MΩ
Moisture Level (MSL)	1	UL 94 flammability rating	V-0
Contact base material	Copper alloy	Contact material	Copper alloy
Contact surface	Gold over nickel	Operating temperature, min.	-40 °C
Operating temperature, max.	80 °C		

## Packing

Packaging	Reel	VPE length	331.00 mm
VPE width	328.00 mm	VPE height	62.00 mm

## Important note

Notes

## USB3.1C S1H DN1 RL

**Weidmüller Interface GmbH & Co. KG**  
Klingenbergstraße 26  
D-32758 Detmold  
Germany

[www.weidmueller.com](http://www.weidmueller.com)

## Technical data

### Classifications

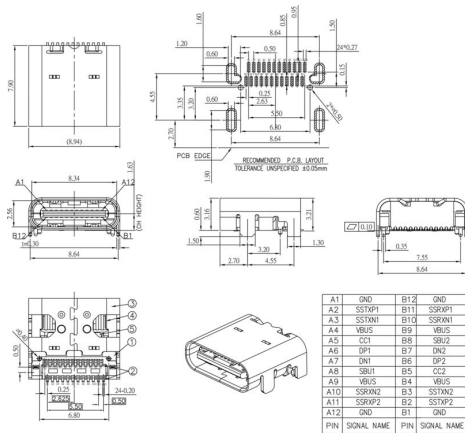
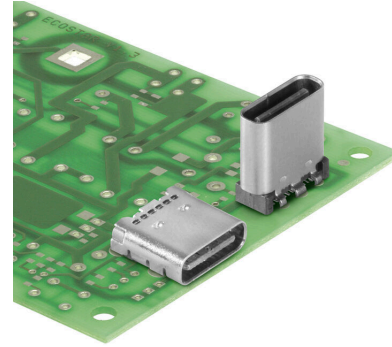
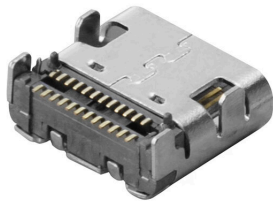
ETIM 8.0	EC002637	ETIM 9.0	EC002637
ETIM 10.0	EC002637	ECLASS 14.0	27-46-02-01
ECLASS 15.0	27-46-02-01		

USB3.1C S1H DN1 RL

Weidmüller Interface GmbH & Co. KG  
 Klingenbergstraße 26  
 D-32758 Detmold  
 Germany

Drawings

www.weidmueller.com



USB3.1C S1H DN1 RL

Weidmüller Interface GmbH & Co. KG  
 Klingenbergstraße 26  
 D-32758 Detmold  
 Germany

Drawings

www.weidmueller.com

