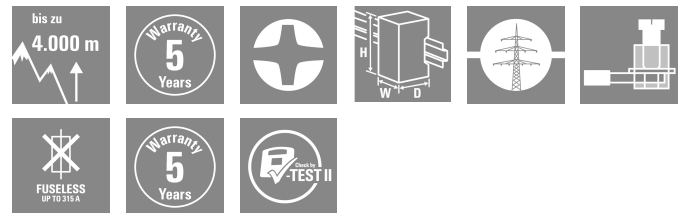


VPU AC I 4 255/12.5 LCF MB

Weidmüller Interface GmbH & Co. KG
 Klingenbergstraße 26
 D-32758 Detmold
 Germany

www.weidmueller.com



Type I + II lightning and surge protection

- High discharge current limit with 12.5 kA (10/350 μ s)
- Low protection level Up of 1.5 kV
- Suitable for protection classes III and IV (LPL III/IV)
- Leakage current free series for use in front of the electrical meter
- Tested in accordance with IEC 61643-11
- Variants with and without remote monitoring function

General ordering data

Version	, low voltage, Surge protection, Surge protection I / II, TN-C-S, TN-S
Order No.	2976640000
Type	VPU AC I 4 255/12.5 LCF MB
GTIN (EAN)	4099986825918
Qty.	1 items

VPU AC I 4 255/12.5 LCF MB

Weidmüller Interface GmbH & Co. KG

 Klingenbergstraße 26
 D-32758 Detmold
 Germany

www.weidmueller.com

Technical data

Approvals

Approvals


 ROHS Conform

Dimensions and weights

Depth	65 mm	Depth (inches)	2.5591 inch
Height	90 mm	Height (inches)	3.5433 inch
Width	72 mm	Width (inches)	2.8346 inch
Net weight	416 g		

Temperatures

Storage temperature	-40 °C...85 °C	Ambient temperature	...85 °C
Operating temperature	-40 °C...85 °C	Humidity at operating temperature	5 - 95% rel. humidity
Humidity	5 - 95% rel. humidity		

Environmental Product Compliance

RoHS Compliance Status	Compliant without exemption
REACH SVHC	No SVHC above 0.1 wt%

General data

Optical function display	green = OK; red = arrester is defective - replace	Segment	Power distribution
Version	low voltage, Surge protection, Surge protection I / II	Design	Installation housing: 4TE, Insta IP 20
UL 94 flammability rating	V-0	Colour	black
Protection degree	IP20 in installed state	Mounting rail	TS 35
Operating altitude	≤ 4000 m		

Insulation coordination acc. to EN 50178

Surge voltage category	I, III
------------------------	--------

Rated data IEC / EN

Number of poles	4	Combined pulse UOC	6 kV
Leakage current at Un	0 µA	Signalling contact	No
Rated voltage (AC)	230 V	Low voltage network	TN-C-S, TN-S
Protection level Up at IN (N-PE)	≤ 1.5 kV	Voltage type	AC
Temporary surge voltage (over-voltage) - TOV	442 V	Fuse protection	No Fuse necessary ≤ 160 A gG
Response time / fallback time	<100 ns	Frequency range, max.	60 Hz
Frequency range, min.	50 Hz	Standards	IEC 61643-11, EN 61643-11
Lightning test current limp (10/350 µs) (L-PE)	12.5 kA	Lightning test current, limp (10/350 µs) (N-PE)	12.5 kA
Requirements class, acc. to EN 61643-11	T1, T2	Requirements category acc. to IEC 61643-11	Type I, Type II
Max. continuous voltage, Uc (AC)	255 V	Discharge current I _{max} (8/20µs) N-PE	100 kA

VPU AC I 4 255/12.5 LCF MB

Weidmüller Interface GmbH & Co. KG
 Klingenbergstraße 26
 D-32758 Detmold
 Germany

www.weidmueller.com

Technical data

Discharge current I_n (8/20 μ s) N-PE	50 kA	Energy coordination (≤ 10 m)	Type I, Type II, Type III
Discharge current I_n (8/20 μ s) wire-PE	20 kA	Discharge current I_{max} (8/20 μ s) wire-PE	50 kA
Protection level Up at I_N (L/N-PE)	≤ 1.5 kV	Short-circuit current rating ISCCR	25 kA
Discharge current (type III)	3 kA	Follow-on current extinguishing capability I_{fi}	25 kA
Integrated back-up fuse	No	PE conductor current IPE	5 μ A

Connection data

Stripping length	18 mm	Wire connection method	Screw connection
Type of connection	Screw connection	Tightening torque, min.	3 Nm
Tightening torque, max.	4.5 Nm	Clamping range, rated connection	16 mm ²
Clamping range, min.	1.5 mm ²	Clamping range, max.	35 mm ²
Wire cross-section, solid, min.	1.5 mm ²	Wire cross-section, solid, max.	35 mm ²
Wire connection cross section, finely stranded, min.	1.5 mm ²	Wire connection cross section, finely stranded, max.	25 mm ²
Conductor cross-section, flexible, AEH (DIN 46228-1), max.	25 mm ²	Connection cross-section, stranded, min.	1.5 mm ²
Connection cross-section, stranded, max.	35 mm ²		

Electrical data

Voltage type	AC
--------------	----

General data

Number of poles	4	Protection degree	IP20 in installed state
Colour	black		

Guarantee

Time interval	5 years
---------------	---------

Classifications

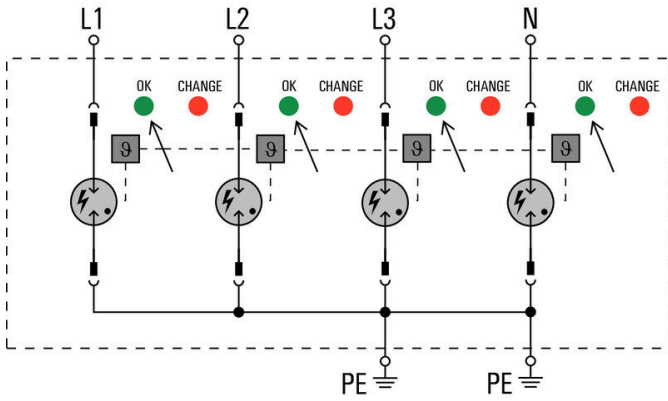
ETIM 8.0	EC001457	ETIM 9.0	EC001457
ETIM 10.0	EC001457	ECLASS 14.0	27-17-12-04
ECLASS 15.0	27-17-12-04		

VPU AC I 4 255/12.5 LCF MB

Weidmüller Interface GmbH & Co. KG
Klingenbergstraße 26
D-32758 Detmold
Germany

www.weidmueller.com

Drawings



VPU AC I 4 255/12.5 LCF MB

Weidmüller Interface GmbH & Co. KG
Klingenbergstraße 26
D-32758 Detmold
Germany

www.weidmueller.com

Accessories

Crosshead screwdriver Phillips



VDE insulated crosshead screwdriver, for Phillips screws, SDIK PH DIN 7438, ISO 8764/2-PH, output to ISO 8764-PH, SoftFinish grip

General ordering data

Type	SDIK PH1 X 80	Version	
Order No.	2749890000	Screwdriver, Blade width (B): 1 mm, 80 mm, Blade thickness (A): 1	
GTIN (EAN)	4050118897098		
Qty.	1 ST		

Blank



ESG is the tried-and-tested marker in MultiCard format for use on many well-known electrical devices. The result is high-quality device marking with a high-contrast appearance.

Various types are available for devices from manufacturers like Siemens, ABB, Beckhoff etc.

Advantages at a glance:

- Tags for universal usage, self-adhesive or clip-on tags, depending on type
- For aligned equipment, e.g. circuit breakers, we supply ESG markers for clipping onto tag rails
- Individual laser-quality printing according to specifications

For custom printing: Please send us a file of our labeling software M-Print PRO or M-Print PRO Online (without installation) for your labeling specifications.

General ordering data

Type	ESG 6/15 K MC NE WS	Version	
Order No.	1880100000	ESG, Device markers x 15 mm, PA 66, Colour: white, Self-adhesive	
GTIN (EAN)	4032248478781		
Qty.	200 ST		

VPU Series



Extensive accessories round off the product range

VPU AC I 4 255/12.5 LCF MB

Weidmüller Interface GmbH & Co. KG
Klingenbergstraße 26
D-32758 Detmold
Germany

www.weidmueller.com

Accessories

General ordering data

Type	VPU AC EXTENDER	Version	
Order No.	3123500000		
GTIN (EAN)	4099987270175		
Qty.	8 ST		