

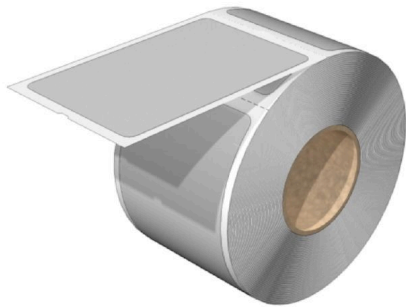
THM PV 85/54 TR**Weidmüller Interface GmbH & Co. KG**

Klingenbergstraße 26

D-32758 Detmold

Germany

www.weidmueller.com



UV-radiation causes high stress and aging of plastic in the outdoor application.

Our new THM PV labels resist these influences and are extremely durable in outdoor use.

Compact designed packaging are our TABPACK-PV.

These are-printed warning labels, which should be a part of the basic equipment of a professional photovoltaic builder.

Your advantages at a glance:

- Weathering resistance tested according to ISO DIN EN ISO 4892-2:2013 table 3, procedure A cycle 1 at 5000 hours
- Individually labeled with the M-Print® PRO
- Easy and fast printing with the THM MultiMark

General ordering data

Version	ClipCard, Device markers, 54 x 85 mm, Transparent
Order No.	2969120000
Type	THM PV 85/54 TR
GTIN (EAN)	4099986783775
Qty.	450 items
Packaging	Reel

THM PV 85/54 TR

Weidmüller Interface GmbH & Co. KG
 Klingenbergstraße 26
 D-32758 Detmold
 Germany

www.weidmueller.com

Technical data

Approvals

ROHS Conform

Dimensions and weights

Depth	0.05 mm	Depth (inches)	0.002 inch
Height	54 mm	Height (inches)	2.126 inch
Width	85 mm	Width (inches)	3.3464 inch
Net weight	0.74 g		

Environmental Product Compliance

RoHS Compliance Status Compliant without exemption
 REACH SVHC No SVHC above 0.1 wt%

General data

Adhesive	Polyacrylate adhesive	Type of printing	neutral
Printing method	Thermal transfer	Version	Self-adhesive
Width	85 mm	UL 94 flammability rating	V-0
Operating temperature range, max.	-50 °C	Operating temperature range, min.	110 °C
Colour	Transparent	Halogen	Yes
Basic material	Vinyl film	Printed characters	without
Size of labelling field	85 x 53.6 mm	Number per roll	450

Conductor and cable markers

Halogen Yes

Device markers

Halogen Yes

Classifications

ETIM 6.0	EC001288	ETIM 7.0	EC001288
ETIM 8.0	EC001288	ETIM 9.0	EC001288
ETIM 10.0	EC001288	ECLASS 9.0	27-40-06-29
ECLASS 9.1	27-40-06-29	ECLASS 10.0	27-40-06-29
ECLASS 11.0	27-28-11-04	ECLASS 12.0	27-28-11-04
ECLASS 13.0	27-28-11-04	ECLASS 14.0	27-28-11-04
ECLASS 15.0	27-28-11-04		

Drawings

