

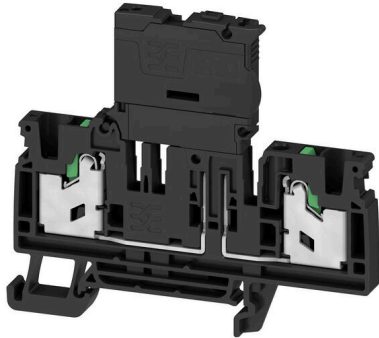
**SFS 4 2C 60-150V BK****Weidmüller Interface GmbH & Co. KG**

Klingenbergstraße 26

D-32758 Detmold

Germany

www.weidmueller.com



Fuse terminal blocks and component terminal blocks allow protective and functional elements to be integrated directly into the terminal strip. Fuse terminal blocks include built-in fuse holders to reliably protect electrical circuits against overload –ideal for control and distribution systems. Component terminal blocks make it possible to incorporate electronic components such as diodes, resistors, or LEDs directly into the wiring. This enables space-saving and clearly arranged implementation of switching functions and signal separation. Both types of terminal blocks ensure higher safety, easy maintenance, and a compact, function-oriented installation.

**General ordering data**

Version	Fuse terminal, SNAP IN, black, 4 mm <sup>2</sup> , 6.3 A, 250 V, Number of connections: 2, Number of levels: 1, TS 35
Order No.	<a href="#">2941510000</a>
Type	SFS 4 2C 60-150V BK
GTIN (EAN)	40999867 10986
Qty.	50 items

## SFS 4 2C 60-150V BK

Weidmüller Interface GmbH & Co. KG  
Klingenbergstraße 26  
D-32758 Detmold  
Germany

www.weidmueller.com

## Technical data

## Approvals

Approvals



UL File Number Search [UL Website](#)  
Certificate No. (cURus) E60693

## Dimensions and weights

Depth	79.1 mm	Depth (inches)	3.1142 inch
Height	67.7 mm	Height (inches)	2.6653 inch
Width	6.1 mm	Width (inches)	0.2402 inch
Net weight	20.5 g		

## Temperatures

Storage temperature	-25 °C...55 °C	Continuous operating temp., min.	-60 °C
Continuous operating temp., max.	130 °C		

## Environmental Product Compliance

RoHS Compliance Status Compliant without exemption  
REACH SVHC No SVHC above 0.1 wt%

## Material data

Basic material	Wemid	Insulating material	Wemid
Colour	black	Colour of operational elements	green
UL 94 flammability rating	V-0		

## Rating data IECEx/ATEX

Certificate No. (ATEX)	TUEV24ATEX9191U	Certificate No. (IECEX)	IECEXTUR24.0071U
Max. voltage (ATEX)	150 V	Current (ATEX)	6.3 A
Wire cross section max. (ATEX)	6 mm <sup>2</sup>	Max. voltage (IECEX)	150 V
Current (IECEX)	6.3 A	Wire cross section max. (IECEX)	6 mm <sup>2</sup>

## System specifications

End cover plate required	Yes	Number of potentials	1
Number of levels	1	Number of clamping points per level	2
Number of potentials per tier	1	Levels cross-connected internally	No
PE connection	No	Mounting rail	TS 35
N-function	No	PE function	No
PEN function	No		

## Additional technical data

With snap-in pegs	No	Open sides	right
Snap-on	Yes	Installation advice	TS 35
Type of mounting	TS 35		

## SFS 4 2C 60-150V BK

**Weidmüller Interface GmbH & Co. KG**  
 Klingenbergstraße 26  
 D-32758 Detmold  
 Germany

www.weidmueller.com

## Technical data

## Conductors for clamping (additional connection)

Connection type, additional connection SNAP IN

## Conductors for clamping (rated connection)

Gauge to IEC 60947-1	A4	Wire connection cross section AWG, max.	AWG 12
Connection direction	top	Stripping length	12 mm
Type of connection 2	SNAP IN	Type of connection	SNAP IN
Number of connections	2	Clamping range, max.	6 mm <sup>2</sup>
Clamping range, min.	0.34 mm <sup>2</sup>	Blade size	0.6 x 3.5 mm
Wire connection cross section AWG, min.	AWG 20	Wire connection cross-section, finely stranded with wire-end ferrules DIN 46228/4, max.	4 mm <sup>2</sup>
Wire connection cross-section, finely stranded with wire-end ferrules DIN 46228/4, min.	0.34 mm <sup>2</sup>	Wire connection cross-section, finely stranded with wire-end ferrules DIN 46228/1, max.	4 mm <sup>2</sup>
Wire connection cross-section, finely stranded with wire-end ferrules DIN 46228/1, min.	0.34 mm <sup>2</sup>	Wire connection cross section, finely stranded, max.	6 mm <sup>2</sup>
Wire connection cross section, finely stranded, min.	0.34 mm <sup>2</sup>	Connection cross-section, stranded, max.	4 mm <sup>2</sup>
Connection cross-section, stranded, min.	0.34 mm <sup>2</sup>	Wire connection cross-section, solid core, max.	6 mm <sup>2</sup>
Wire connection cross-section, solid core, min.	0.34 mm <sup>2</sup>	Connection cross-section, finely stranded, min.	0.34 mm <sup>2</sup>

## Fuse terminals

Cartridge fuse	G-Si. 5 x 20	Fuse holder (cartridge holder)	Pivoting
Type of voltage for indicator	AC/DC	Display	Red LED
Operating voltage, max.	150 V	Power loss for short-circuit protection only for a composite arrangement	2,5 W bei 6,3 A @ 32 °C
Power loss for short-circuit protection only for an individual arrangement	4,0 W bei 6,3 A @ 41 °C	Leakage current, max.	0,5 µA
Power loss for overload and short-circuit protection for an individual arrangement	1,6 W bei 6,3 A @ 31 °C	Power loss for overload and short-circuit protection for a composite arrangement	1,6 W at 6.3 A @ 34°C

## General

Wire connection cross section AWG, max.	AWG 12	Installation advice	TS 35
Wire connection cross section AWG, min.	AWG 20	Standards	IEC 60947-7-3
Mounting rail	TS 35		

## Rating data

Rated cross-section	4 mm <sup>2</sup>	Rated voltage	250 V
Rated voltage to adjoining terminal	500 V	Rated DC voltage	150 V
Nominal current	6.3 A	Current at maximum wires	6.3 A
Standards	IEC 60947-7-3	Volume resistance according to IEC 60947-7-x	1 mΩ
Rated impulse withstand voltage	4 kV	Power loss in accordance with IEC 60947-7-x	1.02 mW
Surge voltage category	III	Pollution severity	3

**SFS 4 2C 60-150V BK**

**Weidmüller Interface GmbH & Co. KG**  
Klingenbergstraße 26  
D-32758 Detmold  
Germany

[www.weidmueller.com](http://www.weidmueller.com)

**Technical data****UL rating data**

Voltage size B (cURus)	300 V	Voltage size D (cURus)	300 V
Wire cross section max. (cURus)	10 AWG	Certificate No. (cURus)	E60693
Wire cross section min. (cURus)	20 AWG	Current size B (cURus)	10 A
Voltage size C (cURus)	150 V	Current size C (cURus)	10 A
Current size D (cURus)	10 A		

**Classifications**

ETIM 8.0	EC000899	ETIM 9.0	EC000899
ETIM 10.0	EC000899	ECLASS 14.0	27-25-01-13
ECLASS 15.0	27-25-01-13		

Drawings

