

## HDC HQM TOLU 1PG21 WO

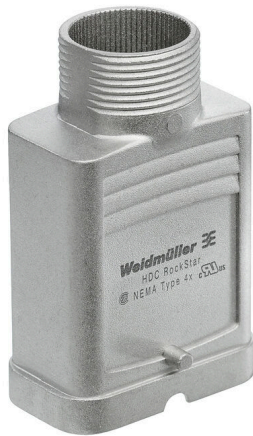
**Weidmüller Interface GmbH & Co. KG**

Klingenbergstraße 26

D-32758 Detmold

Germany

[www.weidmueller.com](http://www.weidmueller.com)



**IP65**

The special die-cast alloy and the multi-layered surface sealing provide complete protection for the HDC housings.

The cleverly designed interlock system is manufactured from stainless steel. This guarantees a long lifespan with high resistance to corrosion and impact.

The housing interlock system provides integrated safety. Our unique, patented spring system provides the housing interlock with a secure grip and prevents accidental opening.

The laser marking allows for easy and quick identification. Each housing is permanently labelled with a laser marking so that each product can be quickly designated and positioned.

Weidmüller RockStar® IP 65 / NEMA Type 4X housings - your first choice for industrial housings with IP 65 protection. The HQ version now offers particular protection - the bulkhead housing (cover and metal clamp) can be secured with a padlock.

### General ordering data

Version	HDC enclosures, Installation size: HQ, Protection degree: IP65, in plugged condition, Cable entry from top, Plug housing, Side-locking clamp on lower side, Standard, Size of cable entries: PG 21
Order No.	<a href="#">2937380000</a>
Type	HDC HQM TOLU 1PG21 WO
GTIN (EAN)	4099986694194
Qty.	1 items

**HDC HQM TOLU 1PG21 WO**

**Weidmüller Interface GmbH & Co. KG**  
 Klingenbergstraße 26  
 D-32758 Detmold  
 Germany

www.weidmueller.com

**Technical data**

**Approvals**

Approvals



ROHS Conform

**Dimensions and weights**

Depth	35 mm	Depth (inches)	1.378 inch
Height	78 mm	Height (inches)	3.0709 inch
Width	35 mm	Width (inches)	1.378 inch
Net weight	170 g		

**Temperatures**

Limit temperature -40 °C ... 125 °C

**Environmental Product Compliance**

RoHS Compliance Status Compliant without exemption  
 REACH SVHC No SVHC above 0.1 wt%

Chemical resistance	Substance	Acetone
	Chemical resistance	Conditionally resistant
	Substance	Drilling oil
	Chemical resistance	Resistant
	Substance	Diesel
	Chemical resistance	Resistant
	Substance	Ethyl alcohol
	Chemical resistance	Resistant
	Substance	Transmission oil
	Chemical resistance	Resistant
	Substance	Hydraulic oil
	Chemical resistance	Resistant
	Substance	Coolant
	Chemical resistance	Resistant
	Substance	Petroleum benzine
	Chemical resistance	Resistant
	Substance	Sweat
	Chemical resistance	Resistant
	Substance	Premium gasoline
	Chemical resistance	Conditionally resistant
Substance	Water	
Chemical resistance	Resistant	
Substance	UV	
Chemical resistance	Unstable	
Substance	Ozone	
Chemical resistance	Unstable	

**Dimensions**

Cable entry	w. thread	Width housing C	29 mm
Total length housing	50 mm	Height of housing B	78 mm

**HDC HQM TOLU 1PG21 WO**

**Weidmüller Interface GmbH & Co. KG**  
 Klingenbergstraße 26  
 D-32758 Detmold  
 Germany

www.weidmueller.com

**Technical data**

**General data**

Surface finish	nickel-plated	Protection degree	IP65, in plugged condition
Series	HQ		

**Version**

Size of cable entries	PG 21	Top part/bottom part/lid	upper part
Cover	without cover	Number of cable entry on top	1
Number of cable entry sideways	0	Design of housing	Cable entry from top, Plug housing
Design of locking system	Side-locking clamp on lower side	Design	Standard
Installation size	HQ	Cable entry	w. thread
Type	Plug	Clamp version	Side-locking clamp
Sealing	no sealing	External thread	PG 21
Colour (RAL)	RAL 7001	BG	HQ
Suitable for ModuPlug®	No		

**Classifications**

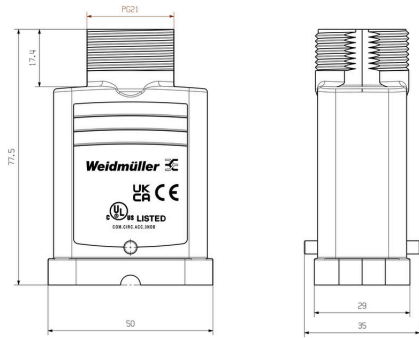
ETIM 8.0	EC000437	ETIM 9.0	EC000437
ETIM 10.0	EC000437	ECLASS 14.0	27-44-02-02
ECLASS 15.0	27-44-02-02		

**HDC HQM TOLU 1PG21 WO**

**Weidmüller Interface GmbH & Co. KG**  
Klingenbergstraße 26  
D-32758 Detmold  
Germany

**Drawings**

[www.weidmueller.com](http://www.weidmueller.com)



## HDC HQM TOLU 1PG21 WO

**Weidmüller Interface GmbH & Co. KG**  
 Klingenbergstraße 26  
 D-32758 Detmold  
 Germany

www.weidmueller.com

## Accessories

## EMC Brass half gland HQ version for HDC



The increasing sensitivity of electronic components and the increasing electromagnetic interference frequencies require cable glands to play an important role in the shielding concept of a system. This type of EMC cable glands are made for shielding against interference frequencies, with a 360° screening connection. A Finger-locking seal provides superior cable retention & strain relief, next to it, the cable gland meets the mechanical requirements of EN 62444. Due to the patented design a very easy and fast assembly will be possible.

## General ordering data

Type	VG 21 HQ EMV68 11-15.5	Version
Order No.	<a href="#">1016120000</a>	Heavy-duty connectors, Accessories, Cable glands, Brass, nickel-plated
GTIN (EAN)	4032248725595	
Qty.	1 ST	
Type	VG 21 HQ EMV68 14-18	Version
Order No.	<a href="#">1016130000</a>	Heavy-duty connectors, Accessories, Cable glands, Brass, nickel-plated
GTIN (EAN)	4032248725601	
Qty.	1 ST	

## HQ version for HDC



In addition to the extensive range of enclosures, Weidmüller offers a variety of cable glands for a wide range of applications. The cable glands made of brass, plastic and stainless steel meet the most various IP protection classes to suit any industrial enclosure. Depending on the series of cable glands and the application, the cable glands are approved and tested according to VDE, UL, UR, cULus, DNV GL or EN 45545.

## General ordering data

Type	VG 21 HQ MS68 9-13	Version
Order No.	<a href="#">1016090000</a>	Heavy-duty connectors, Accessories, Cable glands, Brass, nickel-plated
GTIN (EAN)	4032248725540	
Qty.	1 ST	
Type	VG 21 HQ MS68 11.5-15.5	Version
Order No.	<a href="#">1016100000</a>	Heavy-duty connectors, Accessories, Cable glands, Brass, nickel-plated
GTIN (EAN)	4032248725564	
Qty.	1 ST	
Type	VG 21 HQ MS68 14-18	Version
Order No.	<a href="#">1016110000</a>	Heavy-duty connectors, Accessories, Cable glands, Brass, nickel-plated
GTIN (EAN)	4032248725588	
Qty.	1 ST	
Type	VG 21 HQ MS68 17-20.5	Version
Order No.	<a href="#">2814780000</a>	Heavy-duty connectors, Accessories, Cable glands, Brass, nickel-plated
GTIN (EAN)	4064675301561	
Qty.	1 ST	

**HDC HQM TOLU 1PG21 WO**

**Weidmüller Interface GmbH & Co. KG**  
 Klingenbergstraße 26  
 D-32758 Detmold  
 Germany

www.weidmueller.com

**Accessories**

**8-pole**



The HQ series - big features in a compact design. The electrical values speak for themselves. The wire connection level is designed as a PUSH IN contact.

Pole count: 5, 8  
 Rated current: 16 A  
 Rated voltage: 250 V, 500 V

**General ordering data**

Type	HDC HQ 8 FP	Version	
Order No.	<a href="#">2937350000</a>		HDC insert, Female, 500 V, 16 A, Number of poles: 8, PUSH IN with
GTIN (EAN)	4099986694071		actuator, Installation size: HQ
Qty.	1 ST		
Type	HDC HQ 8 MP	Version	
Order No.	<a href="#">2937360000</a>		HDC insert, Male, 500 V, 16 A, Number of poles: 8, PUSH IN with
GTIN (EAN)	4099986694132		actuator, Installation size: HQ
Qty.	1 ST		