

UC20-WL2000-AC-CAN

Weidmüller Interface GmbH & Co. KG

Klingenbergstraße 26

D-32758 Detmold

Germany

www.weidmueller.com



For modern IoT applications, automation technology needs to be increasingly more powerful and adaptable. u-mation offers a coordinated hardware portfolio designed for the future-proof preparation of your machines and systems. u-control 2000 is one of the most compact and state-of-the-art control systems on the market and is the centrepiece of our hardware portfolio. u-control 2000 forms the basis required for use of our engineering solutions u-create web, studio and IoT. The controllers modular design is based on the remote I/O system u-remote, and allows for needs-based expansion to include other components from the u-mation family.

General ordering data

Version	Control web-based, u-create web, u-OS, IP20, PUSH IN, 24 V DC +20 %/ -15 %, Micro USB 2.0, -20 °C...55 °C
Order No.	2928020000
Type	UC20-WL2000-AC-CAN
GTIN (EAN)	4099986655720
Qty.	1 items

UC20-WL2000-AC-CAN

Weidmüller Interface GmbH & Co. KG
Klingenbergstraße 26
D-32758 Detmold
Germany

www.weidmueller.com

Technical data

Approvals

Approvals



ROHS Conform

Dimensions and weights

Depth	76 mm	Depth (inches)	2.9921 inch
Height	120 mm	Height (inches)	4.7244 inch
Width	52 mm	Width (inches)	2.0472 inch
Mounting dimension - height	120 mm	Net weight	232 g

Temperatures

Storage temperature	-40 °C ... +85 °C	Operating temperature	-20 °C...55 °C
---------------------	-------------------	-----------------------	----------------

Environmental Product Compliance

RoHS Compliance Status	Compliant with exemption
RoHS Exemption (if applicable/known)	7a, 7cl
REACH SVHC	Lead 7439-92-1, 6,6'-di-tert-butyl-2,2'-methylenedi-p-cresol 119-47-1
SCIP	b2baa72f-7638-44ad-b8eb-76854d0293dc

Connection data

Type of connection	PUSH IN, CAN interface (type B2CF 3.50/180LR)
--------------------	--

General data

UL 94 flammability rating	V-0	Mounting rail	TS 35
---------------------------	-----	---------------	-------

Power supply

Feed current for IIN (input current path) , 5 A max.		Current consumption from lsys, typ.	116 mA
Supply voltage for outputs	24 V DC +20 %/ -15 %	Supply voltage system and inputs	24 V DC +20 %/ -15 %
Feed current for IOUT (output current path) , max.	5 A		

System data

Module type	Controller	Interface	1x CAN (optional), 2x 1 Gbps (RJ45)
max. number of modules	64	Configuration interface	Micro USB 2.0
Processor	Dual Core ARM Cortex A9, 624 MHz, 512 Mbyte RAM	Connection type	PUSH IN
Engineering tool	u-create web, u-OS	Programming environment	web-based
Memory (Flash)	8 GB, 32 GB via microSD	Real-time clock	Battery buffered
Field bus protocol	CANopen	Transmission speed backplane bus, max.48 Mbit	

UC20-WL2000-AC-CAN

Weidmüller Interface GmbH & Co. KG
Klingenbergstraße 26
D-32758 Detmold
Germany

www.weidmueller.com

Technical data

Guarantee

Time interval	1 year
---------------	--------

Important note

Product information	The matching end brackets are included with the control.
---------------------	--

Classifications

ETIM 8.0	EC000236	ETIM 9.0	EC000236
ETIM 10.0	EC000236	ECLASS 14.0	27-24-22-07
ECLASS 15.0	27-24-22-07		

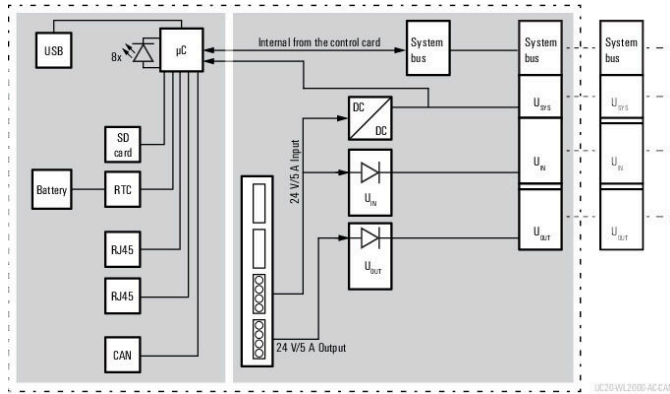
UC20-WL2000-AC-CAN

Weidmüller Interface GmbH & Co. KG
 Klingenbergstraße 26
 D-32758 Detmold
 Germany

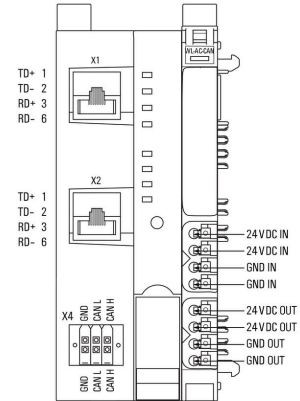
www.weidmueller.com

Drawings

Block diagram



Connection diagram



UC20-WL2000-AC-CAN

Weidmüller Interface GmbH & Co. KG
 Klingenbergstraße 26
 D-32758 Detmold
 Germany

www.weidmueller.com

Accessories

Accessories



System accessory

Discover a wide range of accessories for your u-remote system - the ideal addition to make your applications even more efficient and flexible.

General ordering data

Type	UR20-EBK-ACC	Version
Order No.	1346610000	End bracket, ,
GTIN (EAN)	4050118151596	
Qty.	5 ST	

Type	UR20-SM-ACC	Version
Order No.	1339920000	Cover, ,
GTIN (EAN)	4050118144727	
Qty.	20 ST	

Blank



General ordering data

Type	PM 2.7/2.6 MC NE WS	Version
Order No.	1323710000	OMNIMATE Signal - series PM, Pusher markers, 2.7 x 2.6 mm, Pitch
GTIN (EAN)	4050118126778	in mm (P): 3.50 Weidmueller, white
Qty.	960 ST	

Custom printing



UC20-WL2000-AC-CAN

Weidmüller Interface GmbH & Co. KG
 Klingenbergstraße 26
 D-32758 Detmold
 Germany

www.weidmueller.com

Accessories

General ordering data

Type	PM 2.7/2.6 MC SDR	Version	
Order No.	1323700000	OMNIMATE Signal - series PM, Pusher markers, 2.7 x 2.6 mm, Pitch	
GTIN (EAN)	4050118126761	in mm (P): 3.50 Weidmueller, To customer specification	
Qty.	192 ST		

Blank



The Dekafix (DEK) marker is the universal marker for all conductor and plug-in connectors as well as for electronic sub-assemblies. The system is ideal for short number sequences and covers a wide range of ready-printed markers.

Strips for fast installation in only one work step. The printing is easy to read, rich in contrast and available in various widths.

- Large range of ready-to-use markers
 - Strips for fast installation
 - Terminal markers, suitable for all Weidmüller cable connectors
 - Available as blank MultiCard or with standard printing
- For custom printing: Please send us a file of our labeling software M-Print PRO or M-Print PRO Online (without installation) for your labeling specifications.

General ordering data

Type	DEK 5/8-11.5 MC NE WS	Version	
Order No.	1341630000	Dekafix, Terminal marker, 5 x 8 mm, Pitch in mm (P): 8.00	
GTIN (EAN)	4050118145946	Weidmueller, white	
Qty.	500 ST		

Custom printing



The Dekafix (DEK) marker is the universal marker for all conductor and plug-in connectors as well as for electronic sub-assemblies. The system is ideal for short number sequences and covers a wide range of ready-printed markers.

Strips for fast installation in only one work step. The printing is easy to read, rich in contrast and available in various widths.

- Large range of ready-to-use markers
 - Strips for fast installation
 - Terminal markers, suitable for all Weidmüller cable connectors
 - Available as blank MultiCard or with standard printing
- For custom printing: Please send us a file of our labeling software M-Print PRO or M-Print PRO Online (without installation) for your labeling specifications.

General ordering data

Type	DEK 5/8-11.5 MC SDR	Version	
Order No.	1341610000	Dekafix, Terminal marker, 5 x 8 mm, Pitch in mm (P): 8.00	
GTIN (EAN)	4050118146059	Weidmueller, To customer specification	
Qty.	100 ST		

UC20-WL2000-AC-CAN

Weidmüller Interface GmbH & Co. KG
Klingenbergstraße 26
D-32758 Detmold
Germany

www.weidmueller.com

Accessories

Accessories



System accessory

Discover a wide range of accessories for your u-remote system - the ideal addition to make your applications even more efficient and flexible.

General ordering data

Type	IE-USB-A-MICRO-1.8M	Version	
Order No.	1487980000		USB cable, USB A, USB Micro, PVC, 1.8 m
GTIN (EAN)	4050118298451		
Qty.	1 ST		

u-link Remote Access Service



The Weidmüller u-link remote access service offers an easy possibility to securely access ethernet devices in a remote network.

With the u-link VPN Server as the central meeting point server, the VPN clients (service PC and Weidmüller u-link client devices) always connect outbound and thus conform to the typical IT security requirements. Separate database and server instances are used for each u-link customer account (secure client isolation) to ensure data integrity.

Communication between the u-link VPN server and remote clients (service PCs and u-link client devices) takes place via a certificate-protected openVPN connection. The u-link creed is "configuration instead of programming" the use is intuitive and does not require expert knowledge.

Featureset:

- 1-click VPN remote access for service PC's
- easyAccess: web, rdp or vnc connections to remote hosts fully browser based for use with tablet or smartphone
- Organization and Group Management
- Topologies including 3rd party end-devices
- Firmware management: Display of firmware status of all routers and the option of a time-controlled, automated firmware update
- Individual access rights: granular configuration of access rights to devices in the target network
- Extensive event log: Presentation of all activities in the u-link portal with extensive filter and export functions
- Password policy: Increased security through configurable specification of minimum requirements for password quality and validity period

Weidmüller offers the following usage variations and additional options for the u-link Remote Access Service:

Basic version:

- Automatically assigned by registering at u-link.weidmueller.com
- Free use for 6 months, extended to 365 days when registering a new u-link client device
- Full featureset
- Unlimited users
- Max. 50 u-link capable devices (access points to a remote network)
- 1 simultaneous VPN connection
- No data or speed limitations (subject to normal market usage)

Extensions

- Additional 50/100/250/500/1000 or more u-link capable devices
- Additional simultaneous VPN connections
- China-VPN: secure and reliable VPN connection to and from China

UC20-WL2000-AC-CAN

Weidmüller Interface GmbH & Co. KG
 Klingenbergstraße 26
 D-32758 Detmold
 Germany

www.weidmueller.com

Accessories

General ordering data

Type	U-LINK-50-DEVICES-1Y	Version
Order No.	2870090000	License code for u-link Remote Access Service., Adds 50 additional configurable u-link clients on Weidmüller hardware to the basic license and extends the period of the basic license accordingly.
GTIN (EAN)		
Qty.	1 ST	
Type	U-LINK-100-DEVICES-1Y	Version
Order No.	2870100000	License code for u-link Remote Access Service., Adds 100 additional configurable u-link clients on Weidmüller hardware to the basic license and extends the period of the basic license accordingly.
GTIN (EAN)		
Qty.	1 ST	
Type	U-LINK-250-DEVICES-1Y	Version
Order No.	2870110000	License code for u-link Remote Access Service., Adds 250 additional configurable u-link clients on Weidmüller hardware to the basic license and extends the period of the basic license accordingly.
GTIN (EAN)		
Qty.	1 ST	
Type	U-LINK-500-DEVICES-1Y	Version
Order No.	2870120000	License code for u-link Remote Access Service., Adds 500 additional configurable u-link clients on Weidmüller hardware to the basic license and extends the period of the basic license accordingly.
GTIN (EAN)		
Qty.	1 ST	
Type	U-LINK-1000-DEVICES-1Y	Version
Order No.	2924220000	License code for u-link Remote Access Service., Adds 1000 additional configurable u-link clients on Weidmüller hardware to the basic license and extends the period of the basic license accordingly.
GTIN (EAN)		
Qty.	1 ST	
Type	U-LINK-1-CONNECTION-1Y	Version
Order No.	2870130000	"VPN connection" licence code for u-link Remote Access Service. Can be used as an additional VPN connection or to extend the period of a VPN connection that has already been activated
GTIN (EAN)		
Qty.	1 ST	
Type	U-LINK-CNSERVER-1Y	Version
Order No.	2870140000	License code for u-link Remote Access Service., Allows the use of the server in China for a secure and reliable VPN connection to and from China.
GTIN (EAN)		
Qty.	1 ST	

Crimping tools



Crimping tools for wire end ferrules, with and without plastic collars

- Ratchet guarantees precise crimping
- Release option in the event of incorrect operation

General ordering data

Type	PZ 2.5 S	Version
Order No.	2903690000	0.14mm ² , 2.5mm ² , Trapezoidal crimp
GTIN (EAN)	4099986027008	
Qty.	1 ST	