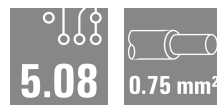
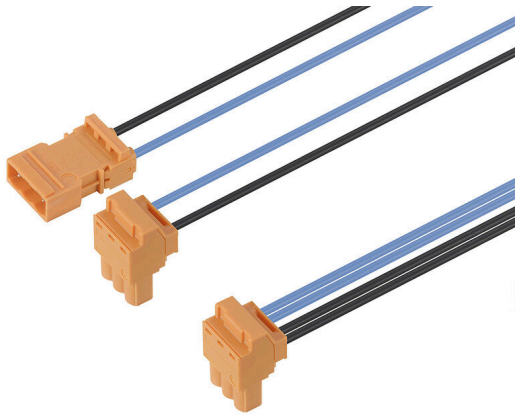


**CH-SMR-00.33-YCC90 VPE10****Weidmüller Interface GmbH & Co. KG**Klingenbergstraße 26  
D-32758 Detmold  
Germany

www.weidmueller.com



Base counter, gateway, control box and overvoltage protection device are connected with pre-assembled cable sets as point-to-point or Y-assembly. Weidmüller offers the right connection solutions for this, conforming to FNN and DIN-VDE 0603 standards. Pre-assembled power cables with 6kV overvoltage protection round up the portfolio.

**General ordering data**

Version	Smart Metering Cable Assemblies, 6 kV, IP30, in plugged and mounted condition, 300 V, Li9YH 1 x 0,75,
Order No.	<a href="#">2924960033</a>
Type	CH-SMR-00.33-YCC90 VPE10
GTIN (EAN)	4099986795617
Qty.	10 items

**CH-SMR-00.33-YCC90 VPE10**

**Weidmüller Interface GmbH & Co. KG**  
 Klingenbergstraße 26  
 D-32758 Detmold  
 Germany

www.weidmueller.com

**Technical data**

**Approvals**

Approvals



ROHS Conform

**Dimensions and weights**

Net weight 22.48 g

**Environmental Product Compliance**

RoHS Compliance Status Compliant without exemption

REACH SVHC No SVHC above 0.1 wt%

**General Technical Data**

Number of poles	2	Applications	Indoor
Rated impulse withstand voltage	6 kV	Nominal voltage	300 V
Nominal current	9 A	Standards	DIN VDE 0603-100
Protection degree	IP30, in plugged and mounted condition	Surge voltage category	III
Pollution severity	3		

**Technical Specifications Connector**

Connector	Connector description	Connector 1
	Cable entry	straight
	Housing main material	PA
	Number of poles	2
	Type	Male
	Connector description	Connector 2
	Cable entry	angled
	Housing main material	PA
	Number of poles	2
	Type	Female
	Connector description	Connector 4
	Cable entry	angled
Housing main material	PA	
Number of poles	2	
Type	Female	

**Technical specifications for cable**

Line type	Li9YH 1 x 0,75	Sheathing colour	black / blue
Resistance to oils	No	Core cross-section	0.75 mm <sup>2</sup>
Number of wires	2	Shielded	No
Halogen	No	Insulation	PP
Temperature range, moving, max.	90 °C	Temperature range, moving, min.	-25 °C
Temperature range, stationary, max.	90 °C	Temperature range, stationary, min.	-30 °C
Cable Material	Polyolefine	Bending radius, min., moving	15 x cable diameter
Bending radius, min., stationary	8 x cable diameter	Cable length, string 2	0.2 m
Cable length, string 1	0.33 m	Outside diameter	2.35 mm ± 0.15 mm

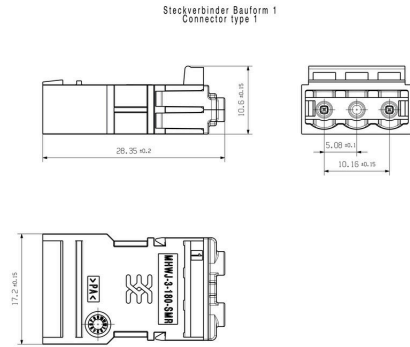
**Technical data****Important note**

IPC conformity	Conformity: The products are developed, manufactured and delivered according international recognized standards and norms and comply with the assured properties in the data sheet resp. fulfill decorative properties in accordance with IPC-A-610 "Class 2". Further claims on the products can be evaluated on request.
Notes	unenclosed connector, without breaking capacity (COC), acc. DIN EN 61984 (VDE 0627)

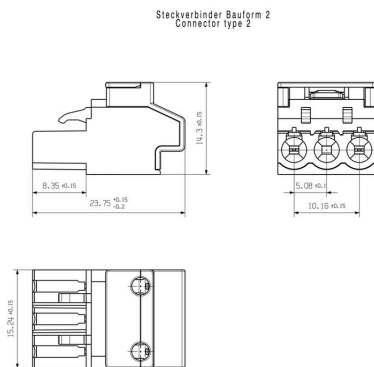
**Classifications**

ETIM 8.0	EC001576	ETIM 9.0	EC001576
ETIM 10.0	EC001576	ECLASS 14.0	27-06-04-02
ECLASS 15.0	27-06-04-02		

Dimensional drawing



Dimensional drawing



Dimensional drawing

