

**SAI-04D-VPHP-5A-M120-1:1-EX**

**Weidmüller Interface GmbH & Co. KG**  
Klingenbergstraße 26  
D-32758 Detmold  
Germany

[www.weidmueller.com](http://www.weidmueller.com)



Passive M12 distributors are available in all conceivable forms and configurations. Furthermore, a number of special versions, e.g. SAI distributors for EX zones or the ergonomic M8, are available only from Weidmüller. These innovative products are backed up by numerous proprietary rights.

**General ordering data**

Version	Hood version Ex, M12, 30 V, A-coded, LED: No, LED initiator: No, Wiring type: 1:1
Order No.	<a href="#">2921150000</a>
Type	SAI-04D-VPHP-5A-M120-1:1-EX
GTIN (EAN)	4099986612822
Qty.	1 items

## SAI-04D-VPHP-5A-M120-1:1-EX

Weidmüller Interface GmbH & Co. KG  
Klingenbergstraße 26  
D-32758 Detmold  
Germany

www.weidmueller.com

## Technical data

## Approvals

Approvals



## Dimensions and weights

Depth	60 mm	Depth (inches)	2.3622 inch
Height	61.3 mm	Height (inches)	2.4134 inch
Length	102 mm	Length (inches)	4.0157 inch
Net weight	250 g		

## Temperatures

Operating temperature -40 - 60°C

## Environmental Product Compliance

RoHS Compliance Status	Compliant with exemption
RoHS Exemption (if applicable/known)	6c
REACH SVHC	Lead 7439-92-1
SCIP	ebf89fc8-a87f-4691-b87a-dfb9921774b4

## Connection data

Wire connection method	PUSH IN	Cable gland	M 20
Clamping range, min.	0.14 mm <sup>2</sup>	Clamping range, max.	1.5 mm <sup>2</sup>
Wire connection cross section AWG, min.	AWG 26	Wire connection cross section AWG, max.	AWG 16
Solid, min. H05(07) V-U	0.14 mm <sup>2</sup>	Solid, max. H05(07) V-U	1.5 mm <sup>2</sup>
Flexible, min. H05(07) V-K	0.14 mm <sup>2</sup>	Flexible, max. H05(07) V-K	1.5 mm <sup>2</sup>
w. plastic collar ferrule, DIN 46228 pt 4, min.	0.28 mm <sup>2</sup>	w. plastic collar ferrule, DIN 46228 pt 4, max.	1 mm <sup>2</sup>
w. wire end ferrule, DIN 46228 pt 1, min.	0.25 mm <sup>2</sup>	w. wire end ferrule, DIN 46228 pt 1, max.	1 mm <sup>2</sup>
Distributor outlet	Hood version Ex		

## Electrical data

Rated voltage, min.	0 V	Rated voltage, max.	30 V
Max. current-carrying capacity per slot	0.8 A	Total current	0.8 A
Current per signal	0.8 A		

## General technical data

Protection degree	IP66, IP67	Surge voltage category	III
Plug-in station coding	A-coded	Number of poles	5
Number of contact sockets	4	Connection thread	M12
Pollution severity	3	Fire behaviour	V-0
Plugging cycles	≤ 50	LED	No
LED initiator	No		

**SAI-04D-VPHP-5A-M120-1:1-EX**

**Weidmüller Interface GmbH & Co. KG**  
 Klingenbergstraße 26  
 D-32758 Detmold  
 Germany

www.weidmueller.com

**Technical data**

**Material data**

Material O-Ring	FKM	Housing main material	Pocan (base module), Zinc diecast (hood)
Housing colour	black (similar to RAL 9005)	Hood sealing material	Polyurethane foamed
Screw socket	Nickel-plated CuZn	Contact material	CuZn
Contact surface	Gold-plated	Contact carrier material	PBT (UL 94 V0)
Cable gland material	metal		

**Important note**

Product information	Included in delivery: <ul style="list-style-type: none"> <li>• 2 x Protection cap M12</li> <li>• 1 x Cable gland M20x1.5</li> <li>• 1 x Sealing Plug M20x1.5</li> <li>• 1 x MultiCard ESG 9/17 K Device marker</li> </ul>
---------------------	---

**Classifications**

ETIM 8.0	EC003558	ETIM 9.0	EC003558
ETIM 10.0	EC003558	ECLASS 14.0	27-44-01-11
ECLASS 15.0	27-44-01-11		

**SAI-04D-VPHP-5A-M120-1:1-EX**

**Weidmüller Interface GmbH & Co. KG**  
 Klingenbergstraße 26  
 D-32758 Detmold  
 Germany

www.weidmueller.com

**Drawings**

**Similar to illustration**



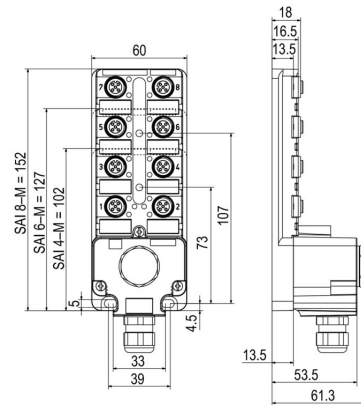
**Similar to illustration**



**Miscellaneous**



**Dimensioned drawing**



**Wiring diagram**

