

UR20-3EM-400V-AC-CT5A

Weidmüller Interface GmbH & Co. KG

Klingenbergstraße 26

D-32758 Detmold

Germany

www.weidmueller.com



Power measurement module

Power measurement module for 1 or 3 phases, rated voltage up to 300 Veff

The power module serves to measure and process currents & voltages of single-phase or three-phase loads up to a rated voltage of 300 Veff AC (phase & neutral conductor). Reactive, apparent, harmonic and active power, energy consumption, phase angle and many other electrical parameters are measured and calculated directly with the module. Which data are transmitted via the process data of the various fieldbuses can be selected using parameters.

The power measurement module can easily be integrated into existing automation solutions using u-remote. If using conversion current measuring transducers, no intervention needs to be made into the existing installation.

Currents up to 1 A or 5 A can be measured directly, higher currents can be measured with plug-on or conversion current measuring transducers from Weidmüller.

General ordering data

Version	Remote I/O module, IP20
Order No.	2920840000
Type	UR20-3EM-400V-AC-CT5A
GTIN (EAN)	4099986601710
Qty.	1 items

UR20-3EM-400V-AC-CT5A

Weidmüller Interface GmbH & Co. KG
 Klingenbergstraße 26
 D-32758 Detmold
 Germany

www.weidmueller.com

Technical data

Approvals

Approvals



UL File Number Search [UL Website](#)
 Certificate no. (cULus) E141197

Dimensions and weights

Depth	76 mm	Depth (inches)	2.9921 inch
Height	120 mm	Height (inches)	4.7244 inch
Width	11.5 mm	Width (inches)	0.4528 inch
Net weight	88 g		

Temperatures

Storage temperature	-40 °C ... +85 °C	Operating temperature	-20 °C...60 °C
---------------------	-------------------	-----------------------	----------------

Environmental Product Compliance

RoHS Compliance Status	Compliant with exemption
RoHS Exemption (if applicable/known)	7a, 7cl
REACH SVHC	Lead 7439-92-1
SCIP	82327f13-cd27-455a-ab5b-a62e1996dcf8

analogue inputs

Number	3	Insulation	reinforced insulation
Resolution	16 bit per channel (internal 24 bit), 32 bit for energy counter	Rated voltage	300 V eff AC (L-N), 520 V eff AC (L-L), according to table I.1 of IEC 61010-1:2010/AMD1:2016/COR1:2019
Frequency of the supply system	45...65 Hz	Measurement accuracy	0.25% in relation to final value (U / I), 0.5% for the calculated values, 0.75% for harmonics
Connectable converter ratios	5:5	Analysis of harmonic	up to 43rd
Sampling rate of current measurement	Sigma Delta ADC with 1.024 MHz (bandwidth of interest from 40 Hz to 3.3 kHz)	Nominal load capacity	0...5 A AC
Category for voltage measurements	CAT III (according to IEC 61010-1), CAT II (according to IEC 61010-1) for installations with rated voltage to earth > 300 V	Measurement method	High Resolution Delta Sigma (current measurement in outer conductor)
Input impedance voltage	1.881 MΩ	Short-circuit protection	Yes
Module diagnosis	Yes	Individual channel diagnosis	Yes

Connection data

Wire cross-section, finely stranded, max. (AWG)	AWG 16	Wire cross-section, finely stranded, min. (AWG)	AWG 26
Wire cross-section, solid, max. (AWG)	AWG 16	Wire cross-section, solid, min. (AWG)	AWG 26

UR20-3EM-400V-AC-CT5A

Weidmüller Interface GmbH & Co. KG
 Klingenbergstraße 26
 D-32758 Detmold
 Germany

www.weidmueller.com

Technical data

Type of connection	PUSH IN	Number	3
Wire cross-section, solid, max.	1.5 mm ²	Wire cross-section, solid, min.	0.14 mm ²
Wire connection cross section, finely stranded, max.	1.5 mm ²	Wire connection cross section, finely stranded, min.	0.14 mm ²

General data

Vibration resistance	5 Hz ≤ f ≤ 8.4 Hz: 3.5-mm amplitude as per IEC 60068-2-6, 8.4 Hz ≤ f ≤ 150 Hz: 1 g acceleration as per IEC 60068-2-6	UL 94 flammability rating	V-0
Surge voltage category	II	Pollution severity	2
Mounting rail	TS 35	Air pressure (operation)	≥ 795 hPa (height ≤ 2000 m) as per DIN EN 61131-2
Air humidity (transport)	10% to 95%, non-condensing as per DIN EN 61131-2	Air pressure (transport)	1013 hPa (height 0 m) to 700 hPa (height 3000 m) as per DIN EN 61131-2
Air pressure (storage)	1013 hPa (height 0 m) to 700 hPa (height 3000 m) as per DIN EN 61131-2	Air humidity (operation)	10% to 95%, non-condensing as per DIN EN 61131-2
Air humidity (storage)	10% to 95%, non-condensing as per DIN EN 61131-2		

Power supply

Supply voltage	24 V DC +20 %/ -15 %, via the system bus, 24V DC +20 %/-15 % (according to IEC 61131), 24V DC +30%/-25% (according to DNV GL)	Current consumption from IIN (the respective power segment)	<35 mA
Current consumption from I _{sys} , typ.	8 mA		

System data

Module type	Energy measurement module	Interface	u-remote system bus
Galvanic isolation	500 V DC between the current paths	Connection type	PUSH IN
Field bus protocol	PROFINET IRT, PROFINET RT, PROFIBUS DP-V1, EtherCAT, Modbus/TCP, EtherNet/IP, CANopen, DeviceNet, POWERLINK, CC-Link, CC-Link IE TSN	Transmission speed of system bus, max.	48 Mbit

Classifications

ETIM 8.0	EC001605	ETIM 9.0	EC001605
ETIM 10.0	EC001605	ECLASS 14.0	27-24-26-09
ECLASS 15.0	27-24-26-09		

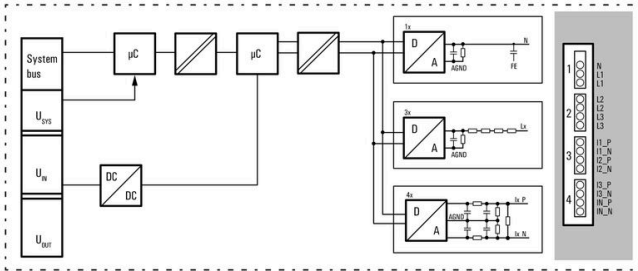
UR20-3EM-400V-AC-CT5A

Weidmüller Interface GmbH & Co. KG
 Klingenbergstraße 26
 D-32758 Detmold
 Germany

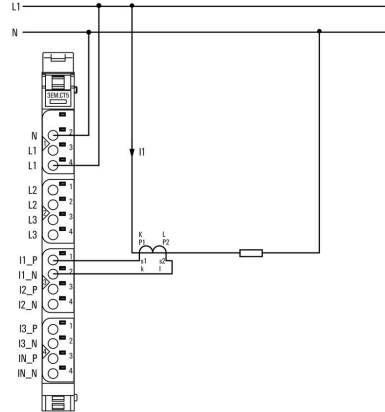
www.weidmueller.com

Drawings

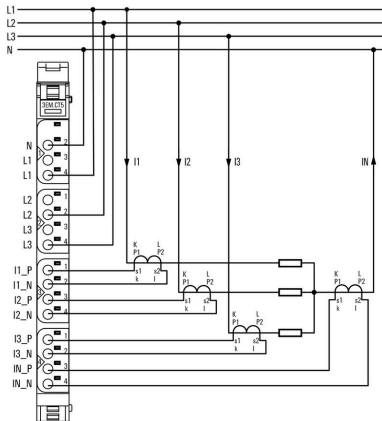
Block diagram



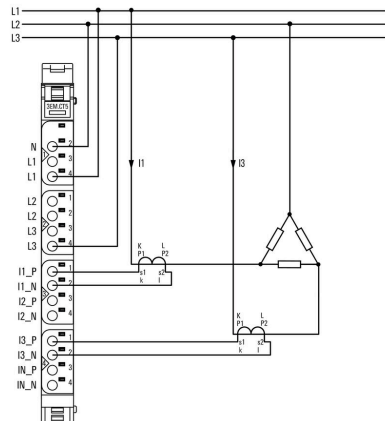
Connection diagram



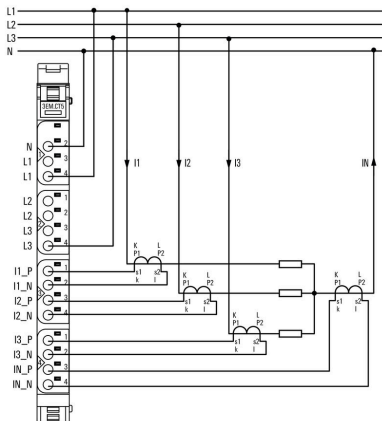
Connection diagram



Connection diagram



Connection diagram



UR20-3EM-400V-AC-CT5A

Weidmüller Interface GmbH & Co. KG
Klingenbergstraße 26
D-32758 Detmold
Germany

Drawings

www.weidmueller.com

Power measurement module



UR20-3EM-400V-AC-CT5A

Weidmüller Interface GmbH & Co. KG
 Klingenbergstraße 26
 D-32758 Detmold
 Germany

www.weidmueller.com

Accessories

Accessories



System accessory

Discover a wide range of accessories for your u-remote system - the ideal addition to make your applications even more efficient and flexible.

General ordering data

Type	UR20-EBK-ACC	Version
Order No.	1346610000	End bracket, ,
GTIN (EAN)	4050118151596	
Qty.	5 ST	

Type	UR20-SM-ACC	Version
Order No.	1339920000	Cover, ,
GTIN (EAN)	4050118144727	
Qty.	20 ST	

Blank



General ordering data

Type	PM 2.7/2.6 MC NE WS	Version
Order No.	1323710000	OMNIMATE Signal - series PM, Pusher markers, 2.7 x 2.6 mm, Pitch
GTIN (EAN)	4050118126778	in mm (P): 3.50 Weidmueller, white
Qty.	960 ST	

Custom printing



UR20-3EM-400V-AC-CT5A

Weidmüller Interface GmbH & Co. KG
 Klingenbergstraße 26
 D-32758 Detmold
 Germany

www.weidmueller.com

Accessories

General ordering data

Type	PM 2.7/2.6 MC SDR	Version	
Order No.	1323700000	OMNIMATE Signal - series PM, Pusher markers, 2.7 x 2.6 mm, Pitch in mm (P): 3.50 Weidmueller, To customer specification	
GTIN (EAN)	4050118126761		
Qty.	192 ST		
Type	DEK 5/8-11.5 MC SDR	Version	
Order No.	1341610000	Dekafix, Terminal marker, 5 x 8 mm, Pitch in mm (P): 8.00 Weidmueller, To customer specification	
GTIN (EAN)	4050118146059		
Qty.	100 ST		

Blank



The Dekafix (DEK) marker is the universal marker for all conductor and plug-in connectors as well as for electronic sub-assemblies. The system is ideal for short number sequences and covers a wide range of ready-printed markers.

Strips for fast installation in only one work step. The printing is easy to read, rich in contrast and available in various widths.

- Large range of ready-to-use markers
 - Strips for fast installation
 - Terminal markers, suitable for all Weidmüller cable connectors
 - Available as blank MultiCard or with standard printing
- For custom printing: Please send us a file of our labeling software M-Print PRO or M-Print PRO Online (without installation) for your labeling specifications.

General ordering data

Type	DEK 5/8-11.5 MC NE WS	Version	
Order No.	1341630000	Dekafix, Terminal marker, 5 x 8 mm, Pitch in mm (P): 8.00 Weidmueller, white	
GTIN (EAN)	4050118145946		
Qty.	500 ST		

Aluminum



Aluminum has the second best electrical conductivity after copper. One advantage is low weight, anMiscellaneous is outstanding corrosion protection.

General ordering data

Type	TS 35X7.5 2M/AL/BK	Version	
Order No.	0330800000	Terminal rail, Accessories, Aluminium, untreated, Width: 2000 mm, Height: 35 mm, Depth: 7.5 mm	
GTIN (EAN)	4008190100650		
Qty.	40 M		

UR20-3EM-400V-AC-CT5A

Weidmüller Interface GmbH & Co. KG
 Klingenbergstraße 26
 D-32758 Detmold
 Germany

www.weidmueller.com

Accessories

Stainless steel



Stainless steel is a collective term for all types of steel (alloys) with a high degree of purity and corrosion resistance.

General ordering data

Type	TS 35X7.5 2M/CRN	Version	
Order No.	1747350000	Terminal rail, Accessories, Stainless steel 1.4301, untreated, Width:	
GTIN (EAN)	4032248003372	2000 mm, Height: 35 mm, Depth: 7.5 mm	
Qty.	40 M		

Steel



Steel DIN rails are the most widespread on the market. Among metal DIN rails, they have the lowest shortcircuit protection, similar to stainless steel.

General ordering data

Type	TS 35X7.5 2M/ST/ZN	Version	
Order No.	0383400000	Terminal rail, Accessories, Steel, galvanic zinc plated and passivated,	
GTIN (EAN)	4008190088026	Width: 2000 mm, Height: 35 mm, Depth: 7.5 mm	
Qty.	40 M		
Type	TS 35X7.5/LL 2M/ST/ZN	Version	
Order No.	0514500000	Terminal rail, Accessories, Steel, galvanic zinc plated and passivated,	
GTIN (EAN)	4008190046019	Width: 2000 mm, Height: 35 mm, Depth: 7.5 mm	
Qty.	40 M		
Type	TS 35X7.5/LL 1M/ST/ZN	Version	
Order No.	0514510000	Terminal rail, Accessories, Steel, galvanic zinc plated and passivated,	
GTIN (EAN)	4008190116620	Width: 1000 mm, Height: 35 mm, Depth: 7.5 mm	
Qty.	20 M		
Type	TS 35X7.5/LL 2M/ST/SZ	Version	
Order No.	7915060000	Terminal rail, Accessories, Steel, galvanic zinc plated and passivated,	
GTIN (EAN)	4032248296279	Width: 2000 mm, Height: 35 mm, Depth: 7.5 mm	
Qty.	40 M		

UR20-3EM-400V-AC-CT5A

Weidmüller Interface GmbH & Co. KG
 Klingenbergstraße 26
 D-32758 Detmold
 Germany

Accessories

www.weidmueller.com

Plug-on current transformer - ValueLine



Plug-on current transformers

Plug-on current transformers are used wherever high currents of up to 5000A need to be measured and processed. Our plug-on current transformers supply secondary currents of 1A or 5A. Weidmüller also offers compact low-power current transformers to convert currents of up to 600 A to voltages of up to 333 mV.

General ordering data

Type	CMA-101-2500-5A-10VA-0,5	Version
Order No.	2680250000	Primary current: 2500 A, Secondary current max.: 5 A, Load: 10 VA,
GTIN (EAN)	4050118696608	Tolerance class: 0,5, closed current transformer
Qty.	1 ST	
Type	CMA-101-2500-5A-10VA-1	Version
Order No.	2680190000	Primary current: 2500 A, Secondary current max.: 5 A, Load: 10 VA,
GTIN (EAN)	4050118696516	Tolerance class: 1, closed current transformer
Qty.	1 ST	
Type	CMA-31-100-5A-2,5VA-1	Version
Order No.	1482030000	Primary current: 100 A, Secondary current max.: 5 A, Load: 2.5 VA,
GTIN (EAN)	4050118290943	Tolerance class: 1, closed current transformer
Qty.	1 ST	
Type	CMA-31-125-5A-2,5VA-0,5	Version
Order No.	2680200000	Primary current: 125 A, Secondary current max.: 5 A, Load: 2.5 VA,
GTIN (EAN)	4050118696578	Tolerance class: 0,5, closed current transformer
Qty.	1 ST	
Type	CMA-31-150-5A-2,5VA-0,5	Version
Order No.	2421030000	Primary current: 150 A, Secondary current max.: 5 A, Load: 2.5 VA,
GTIN (EAN)	4050118428971	Tolerance class: 0,5, closed current transformer
Qty.	1 ST	
Type	CMA-31-150-5A-5VA-1	Version
Order No.	2420960000	Primary current: 150 A, Secondary current max.: 5 A, Load: 5 VA,
GTIN (EAN)	4050118429091	Tolerance class: 1, closed current transformer
Qty.	1 ST	
Type	CMA-31-200-5A-2,5VA-0,5	Version
Order No.	2421020000	Primary current: 200 A, Secondary current max.: 5 A, Load: 2.5 VA,
GTIN (EAN)	4050118428988	Tolerance class: 0,5, closed current transformer
Qty.	1 ST	
Type	CMA-31-200-5A-5VA-1	Version
Order No.	2420950000	Primary current: 200 A, Secondary current max.: 5 A, Load: 5 VA,
GTIN (EAN)	4050118429190	Tolerance class: 1, closed current transformer
Qty.	1 ST	
Type	CMA-31-250-5A-5VA-0,5	Version
Order No.	1482050000	Primary current: 250 A, Secondary current max.: 5 A, Load: 5 VA,
GTIN (EAN)	4050118291094	Tolerance class: 0,5, closed current transformer
Qty.	1 ST	
Type	CMA-31-250-5A-5VA-1	Version
Order No.	2420940000	Primary current: 250 A, Secondary current max.: 5 A, Load: 5 VA,
GTIN (EAN)	4050118429183	Tolerance class: 1, closed current transformer
Qty.	1 ST	

UR20-3EM-400V-AC-CT5A

Weidmüller Interface GmbH & Co. KG
 Klingenbergstraße 26
 D-32758 Detmold
 Germany

www.weidmueller.com

Accessories

Type	CMA-31-300-5A-5VA-0,5	Version
Order No.	2420990000	Primary current: 300 A, Secondary current max.: 5 A, Load: 5 VA,
GTIN (EAN)	4050118429220	Tolerance class: 0,5, closed current transformer
Qty.	1 ST	
Type	CMA-31-400-5A-5VA-0,5	Version
Order No.	2420980000	Primary current: 400 A, Secondary current max.: 5 A, Load: 5 VA,
GTIN (EAN)	4050118429305	Tolerance class: 0,5, closed current transformer
Qty.	1 ST	
Type	CMA-31-400-5A-5VA-1	Version
Order No.	2420920000	Primary current: 400 A, Secondary current max.: 5 A, Load: 5 VA,
GTIN (EAN)	4050118428964	Tolerance class: 1, closed current transformer
Qty.	1 ST	
Type	CMA-31-500-5A-5VA-0,5	Version
Order No.	1482070000	Primary current: 500 A, Secondary current max.: 5 A, Load: 5 VA,
GTIN (EAN)	4050118291100	Tolerance class: 0,5, closed current transformer
Qty.	1 ST	
Type	CMA-31-500-5A-5VA-1	Version
Order No.	2420910000	Primary current: 500 A, Secondary current max.: 5 A, Load: 5 VA,
GTIN (EAN)	4050118429169	Tolerance class: 1, closed current transformer
Qty.	1 ST	
Type	CMA-31-60-5A-1,25VA-1	Version
Order No.	2421380000	Primary current: 60 A, Secondary current max.: 5 A, Load: 1.25 VA,
GTIN (EAN)	4050118429381	Tolerance class: 1, closed current transformer
Qty.	1 ST	
Type	CMA-31-600-5A-5VA-0,5	Version
Order No.	2420970000	Primary current: 600 A, Secondary current max.: 5 A, Load: 5 VA,
GTIN (EAN)	4050118429206	Tolerance class: 0,5, closed current transformer
Qty.	1 ST	
Type	CMA-31-600-5A-5VA-1	Version
Order No.	2420900000	Primary current: 600 A, Secondary current max.: 5 A, Load: 5 VA,
GTIN (EAN)	4050118429176	Tolerance class: 1, closed current transformer
Qty.	1 ST	
Type	CMA-31-75-5A-2,5VA-1	Version
Order No.	1482040000	Primary current: 75 A, Secondary current max.: 5 A, Load: 2.5 VA,
GTIN (EAN)	4050118291087	Tolerance class: 1, closed current transformer
Qty.	1 ST	
Type	CMA-31-750-5A-5VA-0,5	Version
Order No.	1482080000	Primary current: 750 A, Secondary current max.: 5 A, Load: 5 VA,
GTIN (EAN)	4050118290950	Tolerance class: 0,5, closed current transformer
Qty.	1 ST	
Type	CMA-31-750-5A-5VA-1	Version
Order No.	2420890000	Primary current: 750 A, Secondary current max.: 5 A, Load: 5 VA,
GTIN (EAN)	4050118429084	Tolerance class: 1, closed current transformer
Qty.	1 ST	
Type	CMA-41-1000-5A-5VA-0,5	Version
Order No.	2680210000	Primary current: 1000 A, Secondary current max.: 5 A, Load: ,
GTIN (EAN)	4050118696547	Tolerance class: , closed current transformer
Qty.	1 ST	
Type	CMA-41-1000-5A-5VA-1	Version
Order No.	2680150000	Primary current: 1000 A, Secondary current max.: 5 A, Load: ,
GTIN (EAN)	4050118696493	Tolerance class: , closed current transformer
Qty.	1 ST	

UR20-3EM-400V-AC-CT5A

Weidmüller Interface GmbH & Co. KG
 Klingenbergstraße 26
 D-32758 Detmold
 Germany

www.weidmueller.com

Accessories

Type	CMA-51-1250-5A-5VA-0,5	Version
Order No.	2680220000	Primary current: 1250 A, Secondary current max.: 5 A, Load: ,
GTIN (EAN)	4050118696561	Tolerance class: , closed current transformer
Qty.	1 ST	
Type	CMA-51-1250-5A-5VA-1	Version
Order No.	2680160000	Primary current: 1250 A, Secondary current max.: 5 A, Load: 5 VA,
GTIN (EAN)	4050118696509	Tolerance class: 1, closed current transformer
Qty.	1 ST	
Type	CMA-61-1500-5A-5VA-0,5	Version
Order No.	2680230000	Primary current: 1500 A, Secondary current max.: 5 A, Load: ,
GTIN (EAN)	4050118696585	Tolerance class: , closed current transformer
Qty.	1 ST	
Type	CMA-61-1500-5A-5VA-1	Version
Order No.	2680170000	Primary current: 1500 A, Secondary current max.: 5 A, Load: 5 VA,
GTIN (EAN)	4050118696523	Tolerance class: 1, closed current transformer
Qty.	1 ST	
Type	CMA-81-2000-5A-10VA-0,5	Version
Order No.	2680240000	Primary current: 2000 A, Secondary current max.: 5 A, Load: ,
GTIN (EAN)	4050118696592	Tolerance class: , closed current transformer
Qty.	1 ST	
Type	CMA-81-2000-5A-10VA-1	Version
Order No.	2680180000	Primary current: 2000 A, Secondary current max.: 5 A, Load: 10 VA,
GTIN (EAN)	4050118696530	Tolerance class: 1, closed current transformer
Qty.	1 ST	

Split core current transformer



Current transformers for retrofitting

Features:

- especially suitable for use in hard-to-reach places
- no cutting of the primary conductors necessary
- Unfolding of the current transformer without additional tools

General ordering data

Type	KCMA-18-100-1A-1,25VA-3	Version
Order No.	1482010000	Primary current: 100 A, Secondary current max.: 1 A, Load: 1.25 VA,
GTIN (EAN)	4050118290851	Tolerance class: 3, Split-core current transformer
Qty.	1 ST	
Type	KCMA-18-150-1A-2VA-3	Version
Order No.	2420770000	Primary current: 150 A, Secondary current max.: 1 A, Load: 2 VA,
GTIN (EAN)	4050118429107	Tolerance class: 3, Split-core current transformer
Qty.	1 ST	
Type	KCMA-18-200-1A-3VA-3	Version
Order No.	2420760000	Primary current: 200 A, Secondary current max.: 1 A, Load: 3 VA,
GTIN (EAN)	4050118428933	Tolerance class: 3, Split-core current transformer
Qty.	1 ST	

UR20-3EM-400V-AC-CT5A

Weidmüller Interface GmbH & Co. KG
 Klingenbergstraße 26
 D-32758 Detmold
 Germany

www.weidmueller.com

Accessories

Type	KCMA-18-250-1A-1,5VA-1	Version
Order No.	1482000000	Primary current: 250 A, Secondary current max.: 1 A, Load: 1.5 VA,
GTIN (EAN)	4050118291070	Tolerance class: 1, Split-core current transformer
Qty.	1 ST	
Type	KCMA-18-250-1A-4VA-3	Version
Order No.	2420750000	Primary current: 250 A, Secondary current max.: 1 A, Load: 4 VA,
GTIN (EAN)	4050118428926	Tolerance class: 3, Split-core current transformer
Qty.	1 ST	
Type	KCMA-18-50-1A-1VA-3	Version
Order No.	1482020000	Primary current: 50 A, Secondary current max.: 1 A, Load: 1 VA,
GTIN (EAN)	4050118290844	Tolerance class: 3, Split-core current transformer
Qty.	1 ST	
Type	KCMA-18-50-1A-1VA-3 HUT	Version
Order No.	2511690000	Primary current: 50 A, Secondary current max.: 1 A, Load: 1 VA,
GTIN (EAN)	4050118527643	Tolerance class: 3, Split-core current transformer
Qty.	1 ST	
Type	KCMA-18-75-1A-1VA-3	Version
Order No.	2420780000	Primary current: 75 A, Secondary current max.: 1 A, Load: 1 VA,
GTIN (EAN)	4050118428896	Tolerance class: 3, Split-core current transformer
Qty.	1 ST	
Type	KCMA-32-400-1A-5VA-1	Version
Order No.	1481990000	Primary current: 400 A, Secondary current max.: 1 A, Load: 5 VA,
GTIN (EAN)	4050118291063	Tolerance class: 1, Split-core current transformer
Qty.	1 ST	
Type	KCMA-32-400-5A-5VA-1	Version
Order No.	2420730000	Primary current: 400 A, Secondary current max.: 5 A, Load: 5 VA,
GTIN (EAN)	4050118429046	Tolerance class: 1, Split-core current transformer
Qty.	1 ST	
Type	KCMA-32-500-5A-5VA-1	Version
Order No.	2420740000	Primary current: 500 A, Secondary current max.: 5 A, Load: 5 VA,
GTIN (EAN)	4050118428889	Tolerance class: 1, Split-core current transformer
Qty.	1 ST	
Type	KCMA-32-600-1A-5VA-1	Version
Order No.	1481980000	Primary current: 600 A, Secondary current max.: 1 A, Load: 5 VA,
GTIN (EAN)	4050118290936	Tolerance class: 1, Split-core current transformer
Qty.	1 ST	
Type	KCMA-32-600-5A-5VA-1	Version
Order No.	2420720000	Primary current: 600 A, Secondary current max.: 5 A, Load: 5 VA,
GTIN (EAN)	4050118428872	Tolerance class: 1, Split-core current transformer
Qty.	1 ST	
Type	KCMA-44-750-5A-5VA-1	Version
Order No.	2420710000	Primary current: 750 A, Secondary current max.: 5 A, Load: 5 VA,
GTIN (EAN)	4050118428919	Tolerance class: 1, Split-core current transformer
Qty.	1 ST	

UR20-3EM-400V-AC-CT5A

Weidmüller Interface GmbH & Co. KG
 Klingenbergstraße 26
 D-32758 Detmold
 Germany

Accessories

www.weidmueller.com

Plug-on current transformer - ValueLine



Plug-on current transformers

Plug-on current transformers are used wherever high currents of up to 5000A need to be measured and processed. Our plug-on current transformers supply secondary currents of 1A or 5A. Weidmüller also offers compact low-power current transformers to convert currents of up to 600 A to voltages of up to 333 mV.

General ordering data

Type	CMA-22-500-5A-5VA-0,5	Version
Order No.	1482220000	Primary current: 500 A, Secondary current max.: 5 A, Load: 5 VA,
GTIN (EAN)	4050118291254	Tolerance class: 0,5
Qty.	1 ST	
Type	CMA-22-600-5A-5VA-0,5	Version
Order No.	1482180000	Primary current: 600 A, Secondary current max.: 5 A, Load: 5 VA,
GTIN (EAN)	4050118291230	Tolerance class: 0,5
Qty.	1 ST	

Mini current transformer



The CMA-CTM 7 series mini current transformer is an inductive current transformer designed according to the transformer principle for circular primary conductors.

The CMA-CTM 7 series current transformers are maintenance-free and is designed for measuring primary currents in the range 32 A to 64 A. This is converted into a current up to 1 A on the secondary side.

With its small dimensions, it perfectly suits applications in a 3-phase circuit breaker with a phase separation of 17.5 mm.

General ordering data

Type	CMA-CTM-7-32-1A-0.2VA-1	Version
Order No.	2525150000	Primary current: 32 A, Secondary current max.: 1 A, Load: 0.2 VA,
GTIN (EAN)	4050118536515	Tolerance class: 1, closed current transformer
Qty.	1 ST	
Type	CMA-CTM-7-40-1A-0.3VA-1	Version
Order No.	2556040000	Primary current: 40 A, Secondary current max.: 1 A, Load: 0.3 VA,
GTIN (EAN)	4050118566413	Tolerance class: 1, closed current transformer
Qty.	1 ST	
Type	CMA-CTM-7-50-1A-0.4VA-1	Version
Order No.	2556030000	Primary current: 50 A, Secondary current max.: 1 A, Load: 0.4 VA,
GTIN (EAN)	4050118566406	Tolerance class: 1, closed current transformer
Qty.	1 ST	
Type	CMA-CTM-7-60-1A-0.4VA-1	Version
Order No.	2556020000	Primary current: 60 A, Secondary current max.: 1 A, Load: 0.4 VA,
GTIN (EAN)	4050118566093	Tolerance class: 1, closed current transformer
Qty.	1 ST	

UR20-3EM-400V-AC-CT5A

Weidmüller Interface GmbH & Co. KG
 Klingenbergstraße 26
 D-32758 Detmold
 Germany

www.weidmueller.com

Accessories

Type	CMA-CTM-7-64-1A-0.5VA-1	Version
Order No.	2556010000	Primary current: 64 A, Secondary current max.: 1 A, Load: 0.5 VA,
GTIN (EAN)	4050118566079	Tolerance class: 1, closed current transformer
Qty.	1 ST	

Difference current transformer (Residual current monitoring, RCM)



Difference current transformer (Residual current monitoring, RCM)

This type is specialised in the detection of residual currents in 3 / 4-wire AC networks.

Its special features are:

Highly sensitive current sensor for the detection of even the smallest residual currents, fixed switching hysteresis of 5%, high safety thanks to integrated overvoltage protection and coverage of a wide frequency range.

General ordering data

Type	CMA-RCM-DACT-120	Version
Order No.	2603450000	Residual current transformer, Primary current: 25 A, Round conductor:
GTIN (EAN)	4050118665406	120.00 mm, closed current transformer
Qty.	1 ST	
Type	CMA-RCM-DACT-20	Version
Order No.	2603420000	Residual current transformer, Primary current: 25 A, Round conductor:
GTIN (EAN)	4050118665420	20.00 mm, closed current transformer
Qty.	1 ST	
Type	CMA-RCM-DACT-35	Version
Order No.	2603430000	Residual current transformer, Primary current: 25 A, Round conductor:
GTIN (EAN)	4050118665413	35.00 mm, closed current transformer
Qty.	1 ST	
Type	CMA-RCM-DACT-60	Version
Order No.	2603440000	Residual current transformer, Primary current: 25 A, Round conductor:
GTIN (EAN)	4050118663594	60.00 mm, closed current transformer
Qty.	1 ST	
Type	KCMA-RCM-23D	Version
Order No.	2656270000	Residual current transformer (RCM), Primary current: 18 A, Round
GTIN (EAN)	4050118666366	conductor: 20.00 mm, Split-core current transformer
Qty.	1 ST	
Type	KCMA-RCM-58D	Version
Order No.	2656280000	Residual current transformer (RCM), Primary current: 18 A, Round
GTIN (EAN)	4050118666359	conductor: 50.00 mm, Split-core current transformer
Qty.	1 ST	
Type	KCMA-RCM-812D	Version
Order No.	2656290000	Residual current transformer (RCM), Primary current: 18 A, Round
GTIN (EAN)	4050118666342	conductor: 80.00 mm, Split-core current transformer
Qty.	1 ST	

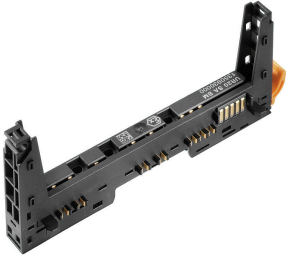
UR20-3EM-400V-AC-CT5A

Weidmüller Interface GmbH & Co. KG
Klingenbergstraße 26
D-32758 Detmold
Germany

Accessories

www.weidmueller.com

Basic modules



General ordering data

Type	UR20-BM-SP	Version	
Order No.	1350930000	Replacement part , Flange-mounted housing	
GTIN (EAN)	4050118402735		
Qty.	5 ST		