

VPU AC II+III 3 R 440/20 S

Weidmüller Interface GmbH & Co. KG
Klingenbergstraße 26
D-32758 Detmold
Germany

www.weidmueller.com



General ordering data

Version	Surge voltage arrester, Low voltage, with remote contact, TN-C
Order No.	2908470000
Type	VPU AC II+III 3 R 440/20 S
GTIN (EAN)	4099986190672
Qty.	1 items

VPU AC II+III 3 R 440/20 S

Weidmüller Interface GmbH & Co. KG
 Klingenbergstraße 26
 D-32758 Detmold
 Germany

www.weidmueller.com

Technical data

Approvals

Approvals



ROHS Conform

Dimensions and weights

Depth	70 mm	Depth (inches)	2.7559 inch
Height	99 mm	Height (inches)	3.8976 inch
Width	36 mm	Width (inches)	1.4173 inch
Net weight	268 g		

Temperatures

Storage temperature		Ambient temperature	-40 °C...85 °C
Operating temperature	-40 °C...85 °C	Humidity	5 - 95% rel. humidity

Environmental Product Compliance

RoHS Compliance Status	Compliant without exemption
REACH SVHC	No SVHC above 0.1 wt%

Connection data, remote alert

Cross-section for connected wire, solid core, min.	0.2 mm ²	Stripping length	5 mm
Connection type	Screw connection, PUSH IN	Cross-section for connected wire, solid core, max.	1.5 mm ²
Max. torque	0.4 Nm		

General data

Optical function display	green = OK; red = arrester is defective - replace	Segment	Power distribution
Version	with remote contact	Design	Installation housing; 2TE, Insta IP 20
UL 94 flammability rating	V-0	Colour	grey
Protection degree	IP20 in installed state	Mounting rail	TS 35
Operating altitude	≤ 2000 m, ≤ 4000 m		

Insulation coordination acc. to EN 50178

Surge voltage category	III	Pollution severity	2
------------------------	-----	--------------------	---

Rated data IEC / EN

Number of poles	3	Combined pulse UOC	6 kV
Signalling contact	250 V / 0,5 A	Rated voltage (AC)	230 V
Low voltage network	TN-C	Voltage type	AC
Temporary surge voltage (over-voltage) - TOV	440 V	Fuse protection	No Fuse necessary ≤100 A gG
Response time / fallback time	≤ 25 ns	Frequency range, max.	60 Hz
Frequency range, min.	50 Hz	Standards	IEC 61643-11, EN 61643-11

VPU AC II+III 3 R 440/20 S

Weidmüller Interface GmbH & Co. KG

Klingenbergstraße 26
D-32758 Detmold
Germany

www.weidmueller.com

Technical data

Requirements class, acc. to EN 61643-11	T2, T3	Requirements category acc. to IEC 61643-11	Type II, Type III
Max. continuous voltage, U_c (AC)	440 V	Energy coordination (≤ 10 m)	Type II, Type III
Discharge current I_n (8/20 μ s) wire-PE	10 kA	Discharge current I_{max} (8/20 μ s) wire-PE	20 kA
Protection level U_p at IN (L/N-PE)	≤ 1.7 kV	Short-circuit current rating ISCCR	25 kA
Discharge current (type III)	3 kA	Integrated back-up fuse	No
Protection level U_p at IN (L-PE) (type III)	≤ 1 kV		

Connection data

Stripping length	13 mm	Conductor connection cross-section PE, stranded, max.	35 mm ²
Conductor connection cross-section PE, solid, max.	35 mm ²	Wire connection method	Screw connection
Type of connection	Screw connection	Stripping length, rated connection	13 mm
Tightening torque, min.	1.2 Nm	Tightening torque, max.	2 Nm
Clamping range, rated connection	10 mm ²	Clamping range, min.	2.5 mm ²
Clamping range, max.	35 mm ²	Wire cross-section, solid, min.	2.5 mm ²
Wire cross-section, solid, max.	10 mm ²	Wire connection cross section, finely stranded, min.	2.5 mm ²
Wire connection cross section, finely stranded, max.	25 mm ²	Connection cross-section, stranded, min.	2.5 mm ²
Connection cross-section, stranded, max.	10 mm ²		

Electrical data

Voltage type	AC
--------------	----

General data

Number of poles	3	Protection degree	IP20 in installed state
Colour	grey		

Guarantee

Time interval	5 years
---------------	---------

Important note

Product information	For use in DC applications, please use the fuse of SIBA Type NH2XL aR/aSF DC 1500 V
---------------------	---

Classifications

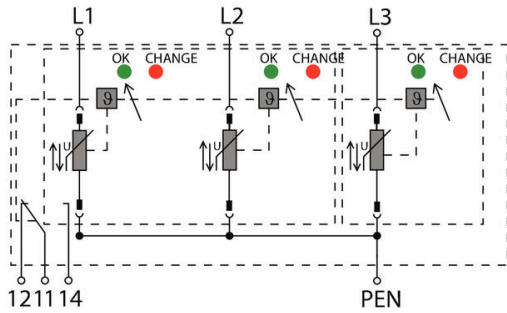
ETIM 8.0	EC000941	ETIM 9.0	EC000941
ETIM 10.0	EC000941	ECLASS 14.0	27-17-12-02
ECLASS 15.0	27-17-12-02		

VPU AC II+III 3 R 440/20 S

Weidmüller Interface GmbH & Co. KG
Klingenbergstraße 26
D-32758 Detmold
Germany

Drawings

www.weidmueller.com



Schematic circuit diagram

VPU AC II+III 3 R 440/20 S

Weidmüller Interface GmbH & Co. KG
 Klingenbergstraße 26
 D-32758 Detmold
 Germany

www.weidmueller.com

Accessories

Crosshead screwdriver Phillips



VDE insulated crosshead screwdriver, for Phillips screws, SDIK PH DIN 7438, ISO 8764/2-PH, output to ISO 8764-PH, SoftFinish grip

General ordering data

Type	SDIK PH0 X 60	Version	
Order No.	2749880000	Screwdriver, Blade width (B): 0 mm, 60 mm, Blade thickness (A): 0	
GTIN (EAN)	4050118897081		
Qty.	1 ST		

Spare arrester



General ordering data

Type	VPU AC II+III 0 L-N 440...	Version	
Order No.	2908540000	Surge voltage arrester, Low voltage, Spare arrester, TN-S, TT	
GTIN (EAN)	4099986190955		
Qty.	1 ST		
Type	VPU AC II+III 0 L3-PEN ...	Version	
Order No.	2908560000	Surge voltage arrester, Low voltage, Spare arrester, TN-S, TT	
GTIN (EAN)	4099986190986		
Qty.	1 ST		