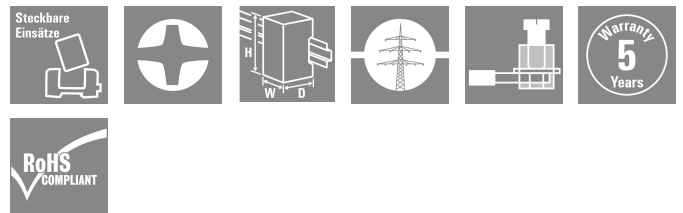


## VPU AC II+III 3 R 275/20 S

**Weidmüller Interface GmbH & Co. KG**  
Klingenbergstraße 26  
D-32758 Detmold  
Germany

[www.weidmueller.com](http://www.weidmueller.com)



### General ordering data

Version	Surge voltage arrester, Low voltage, with remote contact, TN-C
Order No.	<a href="#">2907880000</a>
Type	VPU AC II+III 3 R 275/20 S
GTIN (EAN)	4099986189935
Qty.	1 items

## VPU AC II+III 3 R 275/20 S

**Weidmüller Interface GmbH & Co. KG**  
Klingenbergstraße 26  
D-32758 Detmold  
Germany

www.weidmueller.com

## Technical data

### Approvals

Approvals



ROHS Conform

### Dimensions and weights

Depth	70 mm	Depth (inches)	2.7559 inch
Height	99 mm	Height (inches)	3.8976 inch
Width	36 mm	Width (inches)	1.4173 inch
Net weight	249 g		

### Temperatures

Storage temperature		Ambient temperature	-40 °C...85 °C
Operating temperature	-40 °C...85 °C	Humidity	5 - 95% rel. humidity

### Environmental Product Compliance

RoHS Compliance Status	Compliant without exemption
REACH SVHC	No SVHC above 0.1 wt%

### Connection data, remote alert

Cross-section for connected wire, solid core, min.	0.2 mm <sup>2</sup>	Stripping length	5 mm
Connection type	Screw connection, PUSH IN	Cross-section for connected wire, solid core, max.	1.5 mm <sup>2</sup>
Max. torque	0.4 Nm		

### General data

Optical function display	green = OK; red = arrester is defective - replace	Segment	Power distribution
Version	with remote contact	Design	Installation housing; 2TE, Insta IP 20
UL 94 flammability rating	V-0	Colour	grey
Protection degree	IP20 in installed state	Mounting rail	TS 35
Operating altitude	≤ 2000 m, ≤ 4000 m		

### Insulation coordination acc. to EN 50178

Surge voltage category	III	Pollution severity	2
------------------------	-----	--------------------	---

### Rated data IEC / EN

Number of poles	3	Combined pulse UOC	6 kV
Signalling contact	250 V / 0,5 A	Rated voltage (AC)	230 V
Low voltage network	TN-C	Voltage type	AC
Temporary surge voltage (over-voltage) - TOV	335 V	Fuse protection	No Fuse necessary ≤100 A gG
Response time / fallback time	≤ 25 ns	Frequency range, max.	60 Hz
Frequency range, min.	50 Hz	Standards	IEC 61643-11, EN 61643-11

## VPU AC II+III 3 R 275/20 S

**Weidmüller Interface GmbH & Co. KG**

Klingenbergstraße 26  
D-32758 Detmold  
Germany

www.weidmueller.com

### Technical data

Requirements class, acc. to EN 61643-11	T2, T3	Requirements category acc. to IEC 61643-11	Type II, Type III
Max. continuous voltage, $U_c$ (AC)	275 V	Energy coordination ( $\leq 10$ m)	Type II, Type III
Discharge current $I_n$ (8/20 $\mu$ s) wire-PE	10 kA	Discharge current $I_{max}$ (8/20 $\mu$ s) wire-PE	20 kA
Protection level Up at IN (L/N-PE)	$\leq 1.25$ kV	Short-circuit current rating ISCCR	25 kA
Discharge current (type III)	3 kA	Integrated back-up fuse	No
Protection level Up at IN (L-PE) (type III)	$\leq 1$ kV		

### Connection data

Stripping length	13 mm	Conductor connection cross-section PE, stranded, max.	35 mm <sup>2</sup>
Conductor connection cross-section PE, solid, max.	35 mm <sup>2</sup>	Wire connection method	Screw connection
Type of connection	Screw connection	Stripping length, rated connection	13 mm
Tightening torque, min.	1.2 Nm	Tightening torque, max.	2 Nm
Clamping range, rated connection	10 mm <sup>2</sup>	Clamping range, min.	2.5 mm <sup>2</sup>
Clamping range, max.	35 mm <sup>2</sup>	Wire cross-section, solid, min.	2.5 mm <sup>2</sup>
Wire cross-section, solid, max.	10 mm <sup>2</sup>	Wire connection cross section, finely stranded, min.	2.5 mm <sup>2</sup>
Wire connection cross section, finely stranded, max.	25 mm <sup>2</sup>	Connection cross-section, stranded, min.	2.5 mm <sup>2</sup>
Connection cross-section, stranded, max.	10 mm <sup>2</sup>		

### Electrical data

Voltage type	AC
--------------	----

### General data

Number of poles	3	Protection degree	IP20 in installed state
Colour	grey		

### Guarantee

Time interval	5 years
---------------	---------

### Important note

Product information	For use in DC applications, please use the fuse of SIBA Type NH2XL aR/aSF DC 1500 V
---------------------	---

### Classifications

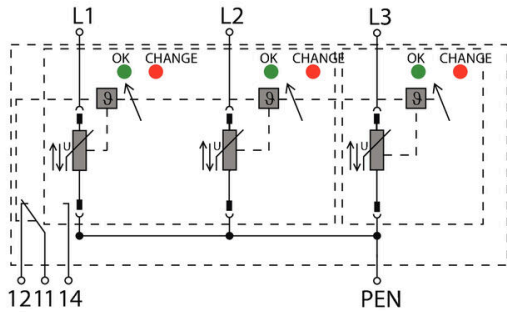
ETIM 8.0	EC000941	ETIM 9.0	EC000941
ETIM 10.0	EC000941	ECLASS 14.0	27-17-12-02
ECLASS 15.0	27-17-12-02		

**VPU AC II+III 3 R 275/20 S**

**Weidmüller Interface GmbH & Co. KG**  
Klingenbergstraße 26  
D-32758 Detmold  
Germany

**Drawings**

[www.weidmueller.com](http://www.weidmueller.com)



**VPU AC II+III 3 R 275/20 S**

**Weidmüller Interface GmbH & Co. KG**  
 Klingenbergstraße 26  
 D-32758 Detmold  
 Germany

www.weidmueller.com

**Accessories**

**Crosshead screwdriver Phillips**



VDE insulated crosshead screwdriver, for Phillips screws, SDIK PH DIN 7438, ISO 8764/2-PH, output to ISO 8764-PH, SoftFinish grip

**General ordering data**

Type	SDIK PH0 X 60	Version	
Order No.	<a href="#">2749880000</a>	Screwdriver, Blade width (B): 0 mm, 60 mm, Blade thickness (A): 0	
GTIN (EAN)	4050118897081		
Qty.	1 ST		

**Spare arrester**



**General ordering data**

Type	VPU AC II+III 0 L-N 275...	Version	
Order No.	<a href="#">2908010000</a>	Surge voltage arrester, Low voltage, Spare arrester, TN-S, TT	
GTIN (EAN)	4099986190153		
Qty.	1 ST		
Type	VPU AC II+III 0 L3-PEN ...	Version	
Order No.	<a href="#">2907980000</a>	Surge voltage arrester, Low voltage, Spare arrester, TN-S, TT	
GTIN (EAN)	4099986190139		
Qty.	1 ST		