

**WBC-P-6BK-16****Weidmüller Interface GmbH & Co. KG**

Klingenbergstraße 26

D-32758 Detmold

Germany

www.weidmueller.com



Battery storage systems are playing an increasingly important role in the field of renewable energies. They usually consist of several individual batteries that need to be quick and easy to replace. The Weidmüller Battery Connector (WBC) makes it possible to connect several individual batteries to an ESS in just a few simple steps – and to disconnect the connections just as quickly if required. For more safety and easy handling, the poles are clearly marked: The positive pole in orange and the negative pole in black.

**General ordering data**

Order No.	2905270000
Type	<a href="#">WBC-P-6BK-16</a>
GTIN (EAN)	4099986025943
Qty.	5 items

## WBC-P-6BK-16

Weidmüller Interface GmbH &amp; Co. KG

Klingenbergstraße 26

D-32758 Detmold

Germany

www.weidmueller.com

## Technical data

## Approvals

Approvals



ROHS Conform

UL File Number Search [UL Website](#)

Certificate No. (UR) E529699

## Dimensions and weights

Net weight 23.2 g

## Temperatures

Continuous operating temp., min. -40 °C Continuous operating temp., max. 125 °C

Humidity ≤85% RH

## Environmental Product Compliance

RoHS Compliance Status Compliant without exemption

REACH SVHC No SVHC above 0.1 wt%

## General Data

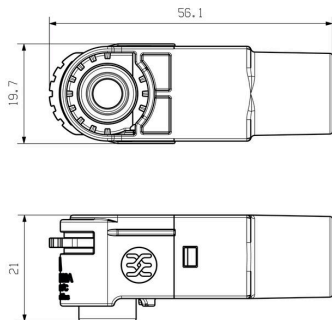
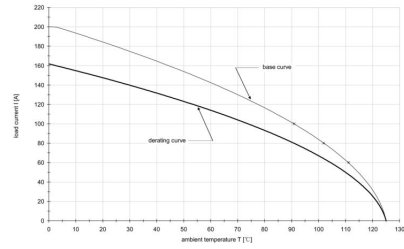
Outer cable diameter, max.	8.6 mm	Outer cable diameter, min.	7.8 mm
Contact diameter, male Ø	6 mm	Approvals	UL 4128
Type of connection	Crimp connection	Colour	black
Conductor cross-section, max.	16 mm <sup>2</sup>	Surface finish	silver
Type	Female	Basic material	PA 66

## Technical Data

Vibration resistance	30g	UL 94 flammability rating	V-0
Volume resistance	≥ 5000 MΩ	Nominal voltage	1500 V
Nominal current	100 A	Protection degree	IP67 plugged
Plugging cycles	≥ 100	Surge voltage category	II
Operating altitude	≤ 2000 m	Shock resistance	V2

## Classifications

ETIM 8.0	EC001121	ETIM 9.0	EC001121
ETIM 10.0	EC001121	ECLASS 14.0	27-44-03-12
ECLASS 15.0	27-44-03-12		



## WBC-P-6BK-16

Weidmüller Interface GmbH &amp; Co. KG

Klingenbergstraße 26

D-32758 Detmold

Germany

www.weidmueller.com

## Accessories

## Tools



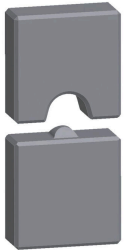
Crimping tools for cable lugs, connectors and wire-end ferrules with interchangeable inserts

- extremely fast processing thanks to hydraulic support
- large processing range up to 300 mm<sup>2</sup>
- 270° revolving quick-action crimping head
- automatic pressure limitation and monitoring via pressure sensor
- electronic control and monitoring of the crimping process
- Saving of all crimping cycles and error messages to internal memory
- Reading of all cycles and error messages via USB
- Li-ion rechargeable battery with charge status indicator: 18 V, 2 Ah

## General ordering data

Type	EPG 45	Version
Order No.	<a href="#">1500830000</a>	Pressing tool, 6mm <sup>2</sup> , 150mm <sup>2</sup> , Hexagonal crimp, WM crimp, Indent
GTIN (EAN)	4050118309317	crimp, Trapezoidal crimp, Oval crimping
Qty.	1 ST	

## ... for crimp cable lugs (acc. to DIN 46234)



Crimping tools for cable lugs, connectors and wire-end ferrules with interchangeable inserts

- extremely fast processing thanks to hydraulic support
- large processing range up to 300 mm<sup>2</sup>
- 270° revolving quick-action crimping head
- automatic pressure limitation and monitoring via pressure sensor
- electronic control and monitoring of the crimping process
- Saving of all crimping cycles and error messages to internal memory
- Reading of all cycles and error messages via USB
- Li-ion rechargeable battery with charge status indicator: 18 V, 2 Ah

## General ordering data

Type	ES EPG 45 DIN 25	Version
Order No.	<a href="#">1501340000</a>	25mm <sup>2</sup> , Indent crimp
GTIN (EAN)	4050118309560	
Qty.	1 ST	