

SH ETH U

Weidmüller Interface GmbH & Co. KG

Klingenbergstraße 26

D-32758 Detmold

Germany

www.weidmueller.com



Features and benefits:

- Ethernet-APL compliant
- Space and weight saving design
- Cost-effective alternative to RJ45 and M12 connections
- Available with PUSH IN, SNAP IN, clamping yoke or tension spring connection
- Suitable for THT and THR soldering processes
- 10 Mbit/s communication for long ranges (1000m) according to IEEE 802.3cg-2019
- PoDL remote power supply according to IEEE 802.3bu
- Ethernet-APL is suitable for all IIoT devices and tailored for the process industry

General ordering data

Version	Shield clamp, Accessories, Screw flange, Number of poles: 1, zinc plated, Silver grey, Box
Order No.	2903230000
Type	SH ETH U
GTIN (EAN)	4099986575172
Qty.	25 items
Packaging	Box

SH ETH U

Weidmüller Interface GmbH & Co. KG

Klingenbergstraße 26

D-32758 Detmold

Germany

www.weidmueller.com

Technical data

Approvals

ROHS	Conform
------	---------

Dimensions and weights

Depth	26.9 mm	Depth (inches)	1.0591 inch
Height	15.1 mm	Height (inches)	0.5945 inch
Width	22.4 mm	Width (inches)	0.8819 inch
Net weight	5.5 g		

Environmental Product Compliance

RoHS Compliance Status	Compliant without exemption
REACH SVHC	No SVHC above 0.1 wt%

System specifications

Number of poles	1	Shielding material	Steel
Shielding	360° shield contact	Side termination, characteristic	Screw flange
Type of connection	Screw connection	Cable diameter, max.	8 mm
Cable diameter, min.	4.5 mm	Product family	Accessories
Shield surface	zinc plated		

Material data

Colour	Silver grey	Colour chart (similar)	RAL 7001
Contact material	Cu-alloy	Contact surface	zinc plated
Storage temperature, min.	-40 °C	Storage temperature, max.	80 °C
Operating temperature, min.	-40 °C	Operating temperature, max.	80 °C

Packing

Packaging	Box	VPE length	118.00 mm
VPE width	89.00 mm	VPE height	31.00 mm

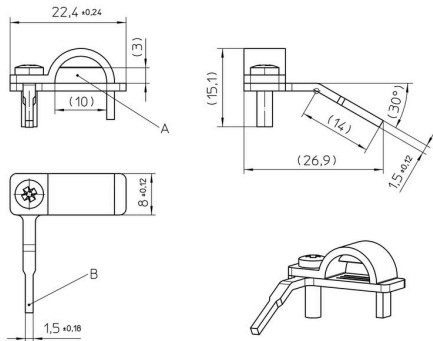
Important note

Notes

Classifications

ETIM 8.0	EC002637	ETIM 9.0	EC002637
ETIM 10.0	EC002637	ECLASS 14.0	27-46-02-01
ECLASS 15.0	27-46-02-01		

Drawings



A) Clamping range
B) Contact pin for cross sections 1,5mm²
Units are in millimeters [mm] and degrees [°]

