

SAI-08D-VPPP-5A-M120-OL2-EX

Weidmüller Interface GmbH & Co. KG
Klingenbergstraße 26
D-32758 Detmold
Germany

www.weidmueller.com



Passive M12 distributors are available in all conceivable forms and configurations. Furthermore, a number of special versions, e.g. SAI distributors for EX zones or the ergonomic M8, are available only from Weidmüller. These innovative products are backed up by numerous proprietary rights.

General ordering data

Version	Hood version Ex, M12, 30 V, A-coded, LED: No, LED initiator: No, Wiring type: PNP
Order No.	2902930000
Type	SAI-08D-VPPP-5A-M120-OL2-EX
GTIN (EAN)	4099986005532
Qty.	1 items

SAI-08D-VP-5A-M120-OL2-EX

Weidmüller Interface GmbH & Co. KG
Klingenbergstraße 26
D-32758 Detmold
Germany

www.weidmueller.com

Technical data

Approvals

Approvals



Dimensions and weights

Depth	60 mm	Depth (inches)	2.3622 inch
Height	41.5 mm	Height (inches)	1.6339 inch
Length	152 mm	Length (inches)	5.9842 inch
Net weight	250 g		

Temperatures

Operating temperature -40 - 60°C

Environmental Product Compliance

RoHS Compliance Status Compliant without exemption
REACH SVHC No SVHC above 0.1 wt%

Connection data

Wire connection method	PUSH IN	Cable gland	M 20
Clamping range, min.	0.14 mm ²	Clamping range, max.	1.5 mm ²
Wire connection cross section AWG, min.	AWG 26	Wire connection cross section AWG, max.	AWG 16
Solid, min. H05(07) V-U	0.14 mm ²	Solid, max. H05(07) V-U	1.5 mm ²
Flexible, min. H05(07) V-K	0.14 mm ²	Flexible, max. H05(07) V-K	1.5 mm ²
w. plastic collar ferrule, DIN 46228 pt 4, min.	0.28 mm ²	w. plastic collar ferrule, DIN 46228 pt 4, max.	1 mm ²
w. wire end ferrule, DIN 46228 pt 1, min.	0.25 mm ²	w. wire end ferrule, DIN 46228 pt 1, max.	1 mm ²
Distributor outlet	Hood version Ex		

Electrical data

Rated voltage, min.	0 V	Rated voltage, max.	30 V
Max. current-carrying capacity per slot	0.8 A	Total current	0.8 A
Current per signal	0.8 A		

General technical data

Protection degree	IP66, IP67	Surge voltage category	III
Plug-in station coding	A-coded	Number of poles	5
Number of contact sockets	8	Connection thread	M12
Pollution severity	3	Fire behaviour	V-0
Plugging cycles	≤ 50	LED	No
LED initiator	No		

Material data

Material O-Ring	FKM	Housing main material	Pocan
Housing colour	black (similar to RAL 9005)	Hood sealing material	Polyurethane foamed

SAI-08D-VP-5A-M120-OL2-EX

Weidmüller Interface GmbH & Co. KG
Klingenbergstraße 26
D-32758 Detmold
Germany

www.weidmueller.com

Technical data

Screw socket	Nickel-plated CuZn	Contact material	CuZn
Contact surface	Gold-plated	Contact carrier material	PBT (UL 94 V0)
Cable gland material	Plastic		

Important note

Product information	Included in delivery: <ul style="list-style-type: none">• 2 x Protection cap M12• 1 x Cable gland M20x1.5• 1 x MultiCard ESG 9/20 Device marker
---------------------	---

Classifications

ETIM 8.0	EC003558	ETIM 9.0	EC003558
ETIM 10.0	EC003558	ECLASS 14.0	27-44-01-11
ECLASS 15.0	27-44-01-11		

SAI-08D-VPPP-5A-M120-OL2-EX

Weidmüller Interface GmbH & Co. KG
 Klingenbergstraße 26
 D-32758 Detmold
 Germany

www.weidmueller.com

Drawings

Similar to illustration



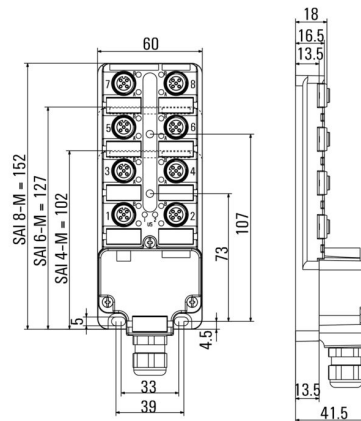
Similar to illustration



Miscellaneous



Dimensioned drawing



Wiring diagram

