

IE-FCI-PWB-2USB-A/C-5V

Weidmüller Interface GmbH & Co. KG
Klingenbergstraße 26
D-32758 Detmold
Germany

www.weidmueller.com



FrontCom® Vario integrates multiple functions in only one single frame. The system is easy to install and you can select from a wide range of data, signal and power modules. In addition to being extremely compact, FrontCom® Vario offers a number of unique product features that will make your project planning and work activities secure, fast and future-proof. Furthermore, the FrontCom® Vario system has an attractive housing design that, by the way, offers highest impact-resistance and fully meets the requirements of IP 65 protection class.

General ordering data

Version	FrontCom, Insert Power large, USB charger
Order No.	2902340000
Type	IE-FCI-PWB-2USB-A/C-5V
GTIN (EAN)	4099986004719
Qty.	1 items

IE-FCI-PWB-2USB-A/C-5V

Weidmüller Interface GmbH & Co. KG
 Klingenbergstraße 26
 D-32758 Detmold
 Germany

www.weidmueller.com

Technical data

Approvals

Approvals



Dimensions and weights

Net weight 0 g

Temperatures

Storage temperature	Operating temperature	0 °C...45 °C
Installation temperature		

Environmental Product Compliance

RoHS Compliance Status	Compliant
REACH SVHC	No SVHC above 0.1 wt%

General data

Protection degree	IP40	Insert type	Insert Power large
-------------------	------	-------------	--------------------

USB charger

Charging sockets	1x USB A, 1x USB C	Input current	≤ 300 mA
Input voltage	100...240 V	Input voltage, max.	240 V
Input voltage, min.	100 V	Output current	3 A
Output voltage	5 V	Output voltage	5 V DC
Output voltage type	DC	Frequency range	50...60 Hz
Degree of efficiency	80%	Power consumption in standby mode	max. 0.1 W
Protection class	II	Standards	EN 60950-1, EN 62684

Clampable conductors

Stripping length	6 mm	
Type of connection	Screw connection	
Conductor connection cross-section, extremely flexible with wire end ferrule	min.	1.5 mm ²
	max.	2.5 mm ²
Conductor connection cross-section, rigid	min.	1.5 mm ²
	max.	2.5 mm ²
Conductor connection cross-section, flexible with wire end ferrule	min.	1.5 mm ²
	max.	2.5 mm ²
Conductor connection cross-section, rigid	1.5 ... 2.5 mm ²	
Conductor connection cross-section, flexible with wire end ferrule	1.5 ... 2.5 mm ²	
Conductor connection cross-section, extremely flexible with wire end ferrule	1.5 ... 2.5 mm ²	

Electrical properties

Degree of efficiency	80%
----------------------	-----

IE-FCI-PWB-2USB-A/C-5V

Weidmüller Interface GmbH & Co. KG
Klingenbergstraße 26
D-32758 Detmold
Germany

www.weidmueller.com

Technical data

Classifications

ETIM 8.0	EC001121	ETIM 9.0	EC001121
ETIM 10.0	EC001121	ECLASS 14.0	27-18-28-92
ECLASS 15.0	27-18-28-92		

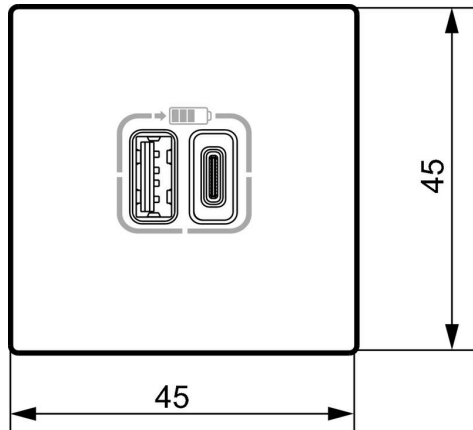
IE-FCI-PWB-2USB-A/C-5V

Weidmüller Interface GmbH & Co. KG
Klingenbergstraße 26
D-32758 Detmold
Germany

www.weidmueller.com

Drawings

Dimensioned drawing



Dimensioned drawing

