

**WIL-SXXXX-FXPF-6500-X280-M8XX-S**

**Weidmüller Interface GmbH & Co. KG**  
Klingenbergstraße 26  
D-32758 Detmold  
Germany

www.weidmueller.com



The S-series, available as compact standard and premium lights. The simple M8 connection technology enables plug-and-play as well as the ability for multiple luminaires to be mounted in a row. The light colors of 5.700K or 6.500K can also be smoothly dimmed. Thanks to full encapsulation of the premium variant, the S series offers a high level of tightness and additional protection against ingress of solid foreign bodies  $\geq 1.0\text{mm}$  (IP69). In addition to their flat installation height of 18mm, this enables their use in machine interiors.

**General ordering data**

Order No.	2900110000
Type	<a href="#">WIL-SXXXX-FXPF-6500-X280-M8XX-S</a>
GTIN (EAN)	4064675907053
Qty.	1 items

**WIL-SXXXX-FXPF-6500-X280-M8XX-S**

**Weidmüller Interface GmbH & Co. KG**  
 Klingenbergstraße 26  
 D-32758 Detmold  
 Germany

www.weidmueller.com

**Technical data**
**Approvals**

Approvals



ROHS Conform

UL File Number Search [UL Website](#)

Certificate No. (cURus) E354496

**Dimensions and weights**

Depth	30 mm	Depth (inches)	1.1811 inch
Height	17.5 mm	Height (inches)	0.689 inch
Width	280 mm	Width (inches)	11.0236 inch
Net weight	293 g		

**Temperatures**

Operating temperature -20 - 70°C

**Environmental Product Compliance**

RoHS Compliance Status Compliant with exemption

RoHS Exemption (if applicable/known) 6c

REACH SVHC Lead 7439-92-1

SCIP 37ebc061-1fa2-4387-80af-82299a5c3412

**Cable technical specifications**

Housing main material hard anodised aluminium

**Connection data**

Version	pin, straight	Number of poles	4
Coding	A-coded	Connection thread	M8
Tightening torque	0.6 Nm	Wiring	Pin 1: control white LED 12-30V DC, Pin 2: dimmable 1.2-10V DC, Pin 3: GND(-), Pin 4: NC

**Electric data**

Rated voltage	12...30 V DC	Power	6.8 W
Dimmable	yes, stepless dimming		

**General technical data**

Type of connection	Pin connector	Electronic equipment on rolling stock	No
Shape of the LED module	Round	Light colour (CCT)	6500K, Cold white
Light current	571 lm	Emitting angle	120 °
Illumination level	172 lux	Operating life	60.000 h
Type of mounting	Screw mounting	Drill hole spacing	336 mm
Protection degree	IP69K	Efficiency class (according to EU Directive No. 874/2012)	Not required

**WIL-SXXXX-FXPF-6500-X280-M8XX-S**

**Weidmüller Interface GmbH & Co. KG**  
Klingenbergstraße 26  
D-32758 Detmold  
Germany

[www.weidmueller.com](http://www.weidmueller.com)

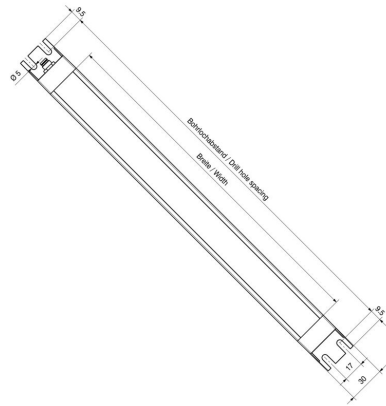
**Technical data****Material data**

Housing main material	hard anodised aluminium	Encapsulation compound	PUR V0
-----------------------	-------------------------	------------------------	--------

**Classifications**

ETIM 8.0	EC000996	ETIM 9.0	EC000996
ETIM 10.0	EC000996	ECLASS 14.0	27-11-06-35
ECLASS 15.0	27-11-06-35		

**Dimensioned drawing**



**Pole scheme**



## WIL-SXXXX-FXPF-6500-X280-M8XX-S

**Weidmüller Interface GmbH & Co. KG**  
 Klingenbergstraße 26  
 D-32758 Detmold  
 Germany

www.weidmueller.com

## Accessories

### Straight



Individual cable lengths are often required nowadays. In order to meet these demands, Weidmüller offers a wide range of plug-in connectors for custom assembly. Male plugs and female sockets for customisable assembly for M8, M12, M16 and 7/8" connections which are highly robust and ideally suited to machine engineering, for instance. The M8 round plug-in connectors are particularly suited to applications where space is limited.

The screw connection can be used in a wide range of applications. With this technology the conductor, optionally with wire-end ferrules, can be plugged into connection elements and secured with a screw. It is the classic, cheapest form of connection technology that also supports multi-conductor connections.

#### General ordering data

Type	SAIBGS-P-4A-3.5/5-M8	Version	
Order No.	<a href="#">1803880000</a>	Field attachable connector, M8	
GTIN (EAN)	4032248259861		
Qty.	1 ST		

### PUR halogen-free black (U)



Sensor/actuator cables are used for wiring sensors and actuators and for transmitting data or power in various applications. The moulded cable offers connected and tested connection of the plug-in connector to the cable ex-works. The cables may be exposed to a wide range of conditions, such as humidity, dust, heat, cold, shock or vibration.

Our developers have focused specifically on this issue and designed a host of different M8 and M12 sensor-actuator cables so you are bound to find the solution you need for your application.

Is there something you have not managed to find or you feel needs explanation? Talk to us!

#### General ordering data

Type	SAIL-M8BG-4-1.5U	Version	
Order No.	<a href="#">9457850150</a>	Sensor/actuator line, One end without connector, M8, Number of poles : 4, 1.5 m, Female socket, straight, Shielded: No, LED: No, Sheath material: PUR, Halogen: No	
GTIN (EAN)	4032248403387		
Qty.	1 ST		
Type	SAIL-M8BG-4-3.0U	Version	
Order No.	<a href="#">9457850300</a>	Sensor/actuator line, One end without connector, M8, Number of poles : 4, 3 m, Female socket, straight, Shielded: No, LED: No, Sheath material: PUR, Halogen: No	
GTIN (EAN)	4032248403394		
Qty.	1 ST		
Type	SAIL-M8BG-4-5.0U	Version	
Order No.	<a href="#">9457850500</a>	Sensor/actuator line, One end without connector, M8, Number of poles : 4, 5 m, Female socket, straight, Shielded: No, LED: No, Sheath material: PUR, Halogen: No	
GTIN (EAN)	4032248229208		
Qty.	1 ST		

## WIL-SXXXX-FXPF-6500-X280-M8XX-S

**Weidmüller Interface GmbH & Co. KG**  
 Klingenbergstraße 26  
 D-32758 Detmold  
 Germany

[www.weidmueller.com](http://www.weidmueller.com)

## Accessories

Type	SAIL-M8BG-4-10U	Version
Order No.	<a href="#">9457851000</a>	Sensor/actuator line, One end without connector, M8, Number of poles : 4, 10 m, Female socket, straight, Shielded: No, LED: No, Sheath material: PUR, Halogen: No
GTIN (EAN)	4032248285693	
Qty.	1 ST	
Type	SAIL-M8GM8G-4-1.OU	Version
Order No.	<a href="#">1880470100</a>	Sensor/actuator line, Connecting line, M8 / M8, Number of poles : 4, 1 m, pin, straight - socket, straight, Shielded: No, LED: No, Sheath material: PUR, Halogen: No
GTIN (EAN)	4032248555499	
Qty.	1 ST	
Type	SAIL-M8GM8G-4-2.OU	Version
Order No.	<a href="#">1880470200</a>	Sensor/actuator line, Connecting line, M8 / M8, Number of poles : 4, 2 m, pin, straight - socket, straight, Shielded: No, LED: No, Sheath material: PUR, Halogen: No
GTIN (EAN)	4032248733965	
Qty.	1 ST	
Type	SAIL-M8GM8G-4-3.OU	Version
Order No.	<a href="#">1880470300</a>	Sensor/actuator line, Connecting line, M8 / M8, Number of poles : 4, 3 m, pin, straight - socket, straight, Shielded: No, LED: No, Sheath material: PUR, Halogen: No
GTIN (EAN)	4032248487875	
Qty.	1 ST	