

**WIL-SXXXX-FXPF-6500-X140-M8XX-S**

**Weidmüller Interface GmbH & Co. KG**  
Klingenbergstraße 26  
D-32758 Detmold  
Germany

www.weidmueller.com



The S-series, available as compact standard and premium lights. The simple M8 connection technology enables plug-and-play as well as the ability for multiple luminaires to be mounted in a row. The light colors of 5.700K or 6.500K can also be smoothly dimmed. Thanks to full encapsulation of the premium variant, the S series offers a high level of tightness and additional protection against ingress of solid foreign bodies  $\geq 1.0\text{mm}$  (IP69). In addition to their flat installation height of 18mm, this enables their use in machine interiors.

**General ordering data**

Order No.	2899990000
Type	<a href="#">WIL-SXXXX-FXPF-6500-X140-M8XX-S</a>
GTIN (EAN)	4064675907046
Qty.	1 items

**WIL-SXXXX-FXPF-6500-X140-M8XX-S**

**Weidmüller Interface GmbH & Co. KG**  
 Klingenbergstraße 26  
 D-32758 Detmold  
 Germany

www.weidmueller.com

**Technical data**
**Approvals**

Approvals



ROHS Conform

UL File Number Search [UL Website](#)

Certificate No. (cURus) E354496

**Dimensions and weights**

Depth	30 mm	Depth (inches)	1.1811 inch
Height	17.5 mm	Height (inches)	0.689 inch
Width	140 mm	Width (inches)	5.5118 inch
Net weight	159 g		

**Temperatures**

Operating temperature -20 - 70°C

**Environmental Product Compliance**

RoHS Compliance Status Compliant with exemption

RoHS Exemption (if applicable/known) 6c

REACH SVHC Lead 7439-92-1

SCIP 37ebc061-1fa2-4387-80af-82299a5c3412

**Cable technical specifications**

Housing main material hard anodised aluminium

**Connection data**

Version	pin, straight	Number of poles	4
Coding	A-coded	Connection thread	M8
Tightening torque	0.6 Nm	Wiring	Pin 1: control white LED 12-30V DC, Pin 2: dimmable 1.2-10V DC, Pin 3: GND(-), Pin 4: NC

**Electric data**

Rated voltage	12...30 V DC	Power	3.4 W
Dimmable	yes, stepless dimming		

**General technical data**

Type of connection	Pin connector	Electronic equipment on rolling stock	No
Shape of the LED module	Round	Light colour (CCT)	6500K, Cold white
Light current	286 lm	Emitting angle	120 °
Illumination level	88 lux	Operating life	60.000 h
Type of mounting	Screw mounting	Drill hole spacing	196 mm
Protection degree	IP69K	Efficiency class (according to EU Directive No. 874/2012)	Not required

**WIL-SXXXX-FXPF-6500-X140-M8XX-S**

**Weidmüller Interface GmbH & Co. KG**  
Klingenbergstraße 26  
D-32758 Detmold  
Germany

[www.weidmueller.com](http://www.weidmueller.com)

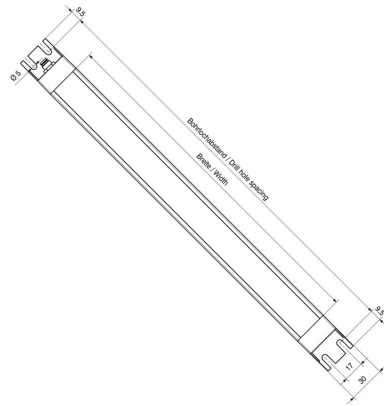
**Technical data****Material data**

Housing main material	hard anodised aluminium	Encapsulation compound	PUR V0
-----------------------	-------------------------	------------------------	--------

**Classifications**

ETIM 8.0	EC000996	ETIM 9.0	EC000996
ETIM 10.0	EC000996	ECLASS 14.0	27-11-06-35
ECLASS 15.0	27-11-06-35		

**Dimensioned drawing**



**Pole scheme**

