

WIL-EXXXX-RXPS-5700-X280-M8DX

Weidmüller Interface GmbH & Co. KG
Klingenbergstraße 26
D-32758 Detmold
Germany

www.weidmueller.com



The E-series, with standard and premium lights, is ideal for focused lighting in work areas. Swiveling mounting brackets provide the necessary flexibility in the positioning of the lighting field. Thanks to the built-in M8 connectors, a simple and quick connection is given and allows the connection of several lights. The cover made of robust PMMA not only provides the necessary protection (IP54) but also ensures a homogeneous illumination with 5.700K.

General ordering data

Order No.	2899830000
Type	WIL-EXXXX-RXPS-5700-X280-M8DX
GTIN (EAN)	4064675906889
Qty.	1 items

WIL-EXXXX-RXPS-5700-X280-M8DX

Weidmüller Interface GmbH & Co. KG
 Klingenbergstraße 26
 D-32758 Detmold
 Germany

www.weidmueller.com

Technical data

Approvals

Approvals



ROHS Conform

UL File Number Search [UL Website](#)

Certificate No. (cURus) E354496

Dimensions and weights

Depth	35 mm	Depth (inches)	1.378 inch
Height	35 mm	Height (inches)	1.378 inch
Width	280 mm	Width (inches)	11.0236 inch
Net weight	195 g		

Temperatures

Operating temperature -20 - 45°C

Environmental Product Compliance

RoHS Compliance Status Compliant with exemption

RoHS Exemption (if applicable/known) 6c

REACH SVHC Lead 7439-92-1

SCIP 3ecd7eed-9477-489c-b868-70515b8da84d

Cable technical specifications

Housing main material hard anodised aluminium

Connection data

LED Modul is attachable	yes	Version	pin, straight - socket, straight
Number of poles	4	Coding	A-coded
Connection thread	M8 / M8	Tightening torque	0.6 Nm
Wiring	Pin 1: control white LED 12-30V DC, Pin 2: dimmable 1.2-10V DC, Pin 3: GND(-), Pin 4: NC		

Electric data

Rated voltage	12...30 V DC	Power	6.8 W
Dimmable	yes, stepless dimming		

General technical data

Type of connection	Pin connector, Socket connector	Electronic equipment on rolling stock	No
Shape of the LED module	Round	Light colour (CCT)	5700K, White
Light current	819 lm	Emitting angle	120 °
Illumination level	245 lux	Operating life	60.000 h

WIL-EXXXX-RXPS-5700-X280-M8DX

Weidmüller Interface GmbH & Co. KG
 Klingenbergstraße 26
 D-32758 Detmold
 Germany

www.weidmueller.com

Technical data

Type of mounting	Screw mounting	Drill hole spacing	289 mm
Protection degree	IP54	Efficiency class (according to EU Directive No. 874/2012)	Not required

Material data

Material of LED cover	PMMA	Housing main material	hard anodised aluminium
-----------------------	------	-----------------------	-------------------------

Classifications

ETIM 8.0	EC000996	ETIM 9.0	EC000996
ETIM 10.0	EC000996	ECLASS 14.0	27-11-06-35
ECLASS 15.0	27-11-06-35		

WIL-EXXXX-RXPS-5700-X280-M8DX

Weidmüller Interface GmbH & Co. KG
Klingenbergstraße 26
D-32758 Detmold
Germany

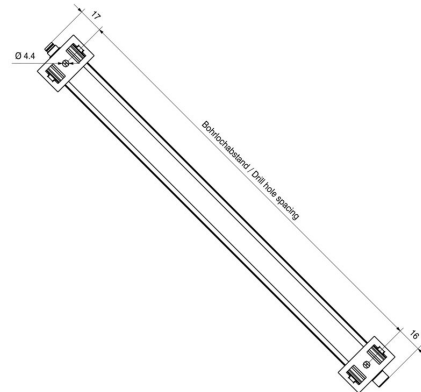
www.weidmueller.com

Drawings

Dimensioned drawing



Dimensioned drawing



Pole scheme



Pole scheme



WIL-EXXXX-RXPS-5700-X280-M8DX

Weidmüller Interface GmbH & Co. KG
Klingenbergstraße 26
D-32758 Detmold
Germany

www.weidmueller.com

Accessories

Straight



Individual cable lengths are often required nowadays. In order to meet these demands, Weidmüller offers a wide range of plug-in connectors for custom assembly. Male plugs and female sockets for customisable assembly for M8, M12, M16 and 7/8" connections which are highly robust and ideally suited to machine engineering, for instance. The M8 round plug-in connectors are particularly suited to applications where space is limited.

The screw connection can be used in a wide range of applications. With this technology the conductor, optionally with wire-end ferrules, can be plugged into connection elements and secured with a screw. It is the classic, cheapest form of connection technology that also supports multi-conductor connections.

General ordering data

Type	SAIBGS-P-4A-3.5/5-M8	Version
Order No.	1803880000	Field attachable connector, M8
GTIN (EAN)	4032248259861	
Qty.	1 ST	
Type	SAISGS-P-4A-3.5/5-M8	Version
Order No.	1803850000	Field attachable connector, M8
GTIN (EAN)	4032248259830	
Qty.	1 ST	

PUR halogen-free black (U)



Sensor/actuator cables are used for wiring sensors and actuators and for transmitting data or power in various applications. The moulded cable offers connected and tested connection of the plug-in connector to the cable ex-works. The cables may be exposed to a wide range of conditions, such as humidity, dust, heat, cold, shock or vibration.

Our developers have focused specifically on this issue and designed a host of different M8 and M12 sensor-actuator cables so you are bound to find the solution you need for your application.

Is there something you have not managed to find or you feel needs explanation? Talk to us!

General ordering data

Type	SAIL-M8BG-4-1.5U	Version
Order No.	9457850150	Sensor/actuator line, One end without connector, M8, Number of poles : 4, 1.5 m, Female socket, straight, Shielded: No, LED: No, Sheath material: PUR, Halogen: No
GTIN (EAN)	4032248403387	
Qty.	1 ST	
Type	SAIL-M8BG-4-3.0U	Version
Order No.	9457850300	Sensor/actuator line, One end without connector, M8, Number of poles : 4, 3 m, Female socket, straight, Shielded: No, LED: No, Sheath material: PUR, Halogen: No
GTIN (EAN)	4032248403394	
Qty.	1 ST	

WIL-EXXXX-RXPS-5700-X280-M8DX

Weidmüller Interface GmbH & Co. KG
 Klingenbergstraße 26
 D-32758 Detmold
 Germany

www.weidmueller.com

Accessories

Type	SAIL-M8BG-4-5.0U	Version
Order No.	9457850500	Sensor/actuator line, One end without connector, M8, Number of
GTIN (EAN)	4032248229208	poles : 4, 5 m, Female socket, straight, Shielded: No, LED: No, Sheath
Qty.	1 ST	material: PUR, Halogen: No
Type	SAIL-M8BG-4-10U	Version
Order No.	9457851000	Sensor/actuator line, One end without connector, M8, Number
GTIN (EAN)	4032248285693	of poles : 4, 10 m, Female socket, straight, Shielded: No, LED: No,
Qty.	1 ST	Sheath material: PUR, Halogen: No
Type	SAIL-M8G-4-1.5U	Version
Order No.	1906270150	Sensor/actuator line, One end without connector, M8, Number of
GTIN (EAN)	4032248541652	poles : 4, 1.5 m, pin, straight, Shielded: No, LED: No, Sheath material:
Qty.	1 ST	PUR, Halogen: No
Type	SAIL-M8G-4-3.0U	Version
Order No.	1906270300	Sensor/actuator line, One end without connector, M8, Number of
GTIN (EAN)	4032248541638	poles : 4, 3 m, pin, straight, Shielded: No, LED: No, Sheath material:
Qty.	1 ST	PUR, Halogen: No
Type	SAIL-M8G-4-5.0U	Version
Order No.	1906270500	Sensor/actuator line, One end without connector, M8, Number of
GTIN (EAN)	4032248541645	poles : 4, 5 m, pin, straight, Shielded: No, LED: No, Sheath material:
Qty.	1 ST	PUR, Halogen: No
Type	SAIL-M8G-4-10U	Version
Order No.	1906271000	Sensor/actuator line, One end without connector, M8, Number of
GTIN (EAN)	4032248664030	poles : 4, 10 m, pin, straight, Shielded: No, LED: No, Sheath material:
Qty.	1 ST	PUR, Halogen: No
Type	SAIL-M8GM8G-4-1.0U	Version
Order No.	1880470100	Sensor/actuator line, Connecting line, M8 / M8, Number of poles :
GTIN (EAN)	4032248555499	4, 1 m, pin, straight - socket, straight, Shielded: No, LED: No, Sheath
Qty.	1 ST	material: PUR, Halogen: No
Type	SAIL-M8GM8G-4-2.0U	Version
Order No.	1880470200	Sensor/actuator line, Connecting line, M8 / M8, Number of poles :
GTIN (EAN)	4032248733965	4, 2 m, pin, straight - socket, straight, Shielded: No, LED: No, Sheath
Qty.	1 ST	material: PUR, Halogen: No
Type	SAIL-M8GM8G-4-3.0U	Version
Order No.	1880470300	Sensor/actuator line, Connecting line, M8 / M8, Number of poles :
GTIN (EAN)	4032248487875	4, 3 m, pin, straight - socket, straight, Shielded: No, LED: No, Sheath
Qty.	1 ST	material: PUR, Halogen: No