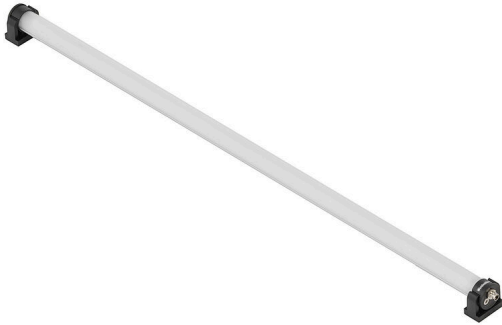


**WIL-EXXXX-RXSS-5700-X700-M8DX**

**Weidmüller Interface GmbH & Co. KG**  
Klingenbergstraße 26  
D-32758 Detmold  
Germany

www.weidmueller.com



The E-series, with standard and premium lights, is ideal for focused lighting in work areas. Swiveling mounting brackets provide the necessary flexibility in the positioning of the lighting field. Thanks to the built-in M8 connectors, a simple and quick connection is given and allows the connection of several lights. The cover made of robust PMMA not only provides the necessary protection (IP54) but also ensures a homogeneous illumination with 5.700K.

**General ordering data**

Order No.	2899730000
Type	<a href="#">WIL-EXXXX-RXSS-5700-X700-M8DX</a>
GTIN (EAN)	4064675906780
Qty.	1 items

## WIL-EXXX-RXSS-5700-X700-M8DX

Weidmüller Interface GmbH & Co. KG  
Klingenbergstraße 26  
D-32758 Detmold  
Germany

www.weidmueller.com

## Technical data

## Approvals

Approvals



ROHS	Conform
UL File Number Search	<a href="#">UL Website</a>
Certificate No. (cURus)	E354496

## Dimensions and weights

Depth	35 mm	Depth (inches)	1.378 inch
Height	35 mm	Height (inches)	1.378 inch
Width	700 mm	Width (inches)	27.559 inch
Net weight	421 g		

## Temperatures

Operating temperature	-20 - 45°C
-----------------------	------------

## Environmental Product Compliance

RoHS Compliance Status	Compliant with exemption
RoHS Exemption (if applicable/known)	6c
REACH SVHC	Lead 7439-92-1
SCIP	3ecd7eed-9477-489c-b868-70515b8da84d

## Cable technical specifications

Housing main material	hard anodised aluminium
-----------------------	-------------------------

## Connection data

LED Modul is attachable	yes	Version	pin, straight - socket, straight
Number of poles	4	Coding	A-coded
Connection thread	M8 / M8	Tightening torque	0.6 Nm
Wiring	Pin 1: control white LED 24V DC, Pin 2: NC, Pin 3: GND(-), Pin 4: NC		

## Electric data

Rated voltage	24 V DC	Rated current	704.2 mA
Power	16.9 W	Dimmable	yes, stepless dimming

## General technical data

Type of connection	Pin connector, Socket connector	Electronic equipment on rolling stock	No
Shape of the LED module	Round	Light colour (CCT)	5700K, White
Light current	1214 lm	Emitting angle	120 °
Illumination level	530 lux	Operating life	60.000 h
Type of mounting	Screw mounting	Drill hole spacing	709 mm
Protection degree	IP54	Efficiency class (according to EU Directive No. 874/2012)	Not required

**WIL-EXXXX-RXSS-5700-X700-M8DX**

**Weidmüller Interface GmbH & Co. KG**  
Klingenbergstraße 26  
D-32758 Detmold  
Germany

[www.weidmueller.com](http://www.weidmueller.com)

**Technical data****Material data**

Material of LED cover	PMMA	Housing main material	hard anodised aluminium
-----------------------	------	-----------------------	-------------------------

**Classifications**

ETIM 8.0	EC000996	ETIM 9.0	EC000996
ETIM 10.0	EC000996	ECLASS 14.0	27-11-06-35
ECLASS 15.0	27-11-06-35		

**WIL-EXXXX-RXSS-5700-X700-M8DX**

**Weidmüller Interface GmbH & Co. KG**  
Klingenbergstraße 26  
D-32758 Detmold  
Germany

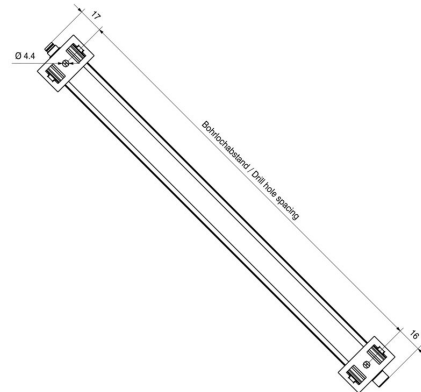
[www.weidmueller.com](http://www.weidmueller.com)

**Drawings**

**Dimensioned drawing**



**Dimensioned drawing**



**Pole scheme**



**Pole scheme**



## WIL-EXXXX-RXSS-5700-X700-M8DX

**Weidmüller Interface GmbH & Co. KG**  
 Klingenbergstraße 26  
 D-32758 Detmold  
 Germany

www.weidmueller.com

## Accessories

### Straight



Individual cable lengths are often required nowadays. In order to meet these demands, Weidmüller offers a wide range of plug-in connectors for custom assembly. Male plugs and female sockets for customisable assembly for M8, M12, M16 and 7/8" connections which are highly robust and ideally suited to machine engineering, for instance. The M8 round plug-in connectors are particularly suited to applications where space is limited.

The screw connection can be used in a wide range of applications. With this technology the conductor, optionally with wire-end ferrules, can be plugged into connection elements and secured with a screw. It is the classic, cheapest form of connection technology that also supports multi-conductor connections.

#### General ordering data

Type	SAIBGS-P-4A-3.5/5-M8	Version
Order No.	<a href="#">1803880000</a>	Field attachable connector, M8
GTIN (EAN)	4032248259861	
Qty.	1 ST	
Type	SAISGS-P-4A-3.5/5-M8	Version
Order No.	<a href="#">1803850000</a>	Field attachable connector, M8
GTIN (EAN)	4032248259830	
Qty.	1 ST	

### PUR halogen-free black (U)



Sensor/actuator cables are used for wiring sensors and actuators and for transmitting data or power in various applications. The moulded cable offers connected and tested connection of the plug-in connector to the cable ex-works. The cables may be exposed to a wide range of conditions, such as humidity, dust, heat, cold, shock or vibration.

Our developers have focused specifically on this issue and designed a host of different M8 and M12 sensor-actuator cables so you are bound to find the solution you need for your application.

Is there something you have not managed to find or you feel needs explanation? Talk to us!

#### General ordering data

Type	SAIL-M8BG-4-1.5U	Version
Order No.	<a href="#">9457850150</a>	Sensor/actuator line, One end without connector, M8, Number of poles : 4, 1.5 m, Female socket, straight, Shielded: No, LED: No, Sheath material: PUR, Halogen: No
GTIN (EAN)	4032248403387	
Qty.	1 ST	
Type	SAIL-M8BG-4-3.0U	Version
Order No.	<a href="#">9457850300</a>	Sensor/actuator line, One end without connector, M8, Number of poles : 4, 3 m, Female socket, straight, Shielded: No, LED: No, Sheath material: PUR, Halogen: No
GTIN (EAN)	4032248403394	
Qty.	1 ST	

## WIL-EXXX-RXSS-5700-X700-M8DX

**Weidmüller Interface GmbH & Co. KG**  
 Klingenbergstraße 26  
 D-32758 Detmold  
 Germany

www.weidmueller.com

## Accessories

Type	SAIL-M8BG-4-5.0U	Version
Order No.	<a href="#">9457850500</a>	Sensor/actuator line, One end without connector, M8, Number of
GTIN (EAN)	4032248229208	poles : 4, 5 m, Female socket, straight, Shielded: No, LED: No, Sheath
Qty.	1 ST	material: PUR, Halogen: No
Type	SAIL-M8BG-4-10U	Version
Order No.	<a href="#">9457851000</a>	Sensor/actuator line, One end without connector, M8, Number
GTIN (EAN)	4032248285693	of poles : 4, 10 m, Female socket, straight, Shielded: No, LED: No,
Qty.	1 ST	Sheath material: PUR, Halogen: No
Type	SAIL-M8G-4-1.5U	Version
Order No.	<a href="#">1906270150</a>	Sensor/actuator line, One end without connector, M8, Number of
GTIN (EAN)	4032248541652	poles : 4, 1.5 m, pin, straight, Shielded: No, LED: No, Sheath material:
Qty.	1 ST	PUR, Halogen: No
Type	SAIL-M8G-4-3.0U	Version
Order No.	<a href="#">1906270300</a>	Sensor/actuator line, One end without connector, M8, Number of
GTIN (EAN)	4032248541638	poles : 4, 3 m, pin, straight, Shielded: No, LED: No, Sheath material:
Qty.	1 ST	PUR, Halogen: No
Type	SAIL-M8G-4-5.0U	Version
Order No.	<a href="#">1906270500</a>	Sensor/actuator line, One end without connector, M8, Number of
GTIN (EAN)	4032248541645	poles : 4, 5 m, pin, straight, Shielded: No, LED: No, Sheath material:
Qty.	1 ST	PUR, Halogen: No
Type	SAIL-M8G-4-10U	Version
Order No.	<a href="#">1906271000</a>	Sensor/actuator line, One end without connector, M8, Number of
GTIN (EAN)	4032248664030	poles : 4, 10 m, pin, straight, Shielded: No, LED: No, Sheath material:
Qty.	1 ST	PUR, Halogen: No
Type	SAIL-M8GM8G-4-1.0U	Version
Order No.	<a href="#">1880470100</a>	Sensor/actuator line, Connecting line, M8 / M8, Number of poles :
GTIN (EAN)	4032248555499	4, 1 m, pin, straight - socket, straight, Shielded: No, LED: No, Sheath
Qty.	1 ST	material: PUR, Halogen: No
Type	SAIL-M8GM8G-4-2.0U	Version
Order No.	<a href="#">1880470200</a>	Sensor/actuator line, Connecting line, M8 / M8, Number of poles :
GTIN (EAN)	4032248733965	4, 2 m, pin, straight - socket, straight, Shielded: No, LED: No, Sheath
Qty.	1 ST	material: PUR, Halogen: No
Type	SAIL-M8GM8G-4-3.0U	Version
Order No.	<a href="#">1880470300</a>	Sensor/actuator line, Connecting line, M8 / M8, Number of poles :
GTIN (EAN)	4032248487875	4, 3 m, pin, straight - socket, straight, Shielded: No, LED: No, Sheath
Qty.	1 ST	material: PUR, Halogen: No