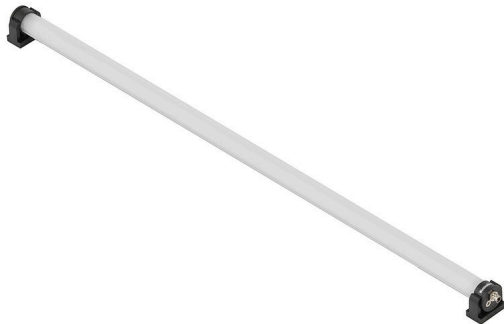


**WIL-EXXXX-RXSS-5700-X700-M8XX**

**Weidmüller Interface GmbH & Co. KG**  
Klingenbergstraße 26  
D-32758 Detmold  
Germany

www.weidmueller.com



The E-series, with standard and premium lights, is ideal for focused lighting in work areas. Swiveling mounting brackets provide the necessary flexibility in the positioning of the lighting field. Thanks to the built-in M8 connectors, a simple and quick connection is given and allows the connection of several lights. The cover made of robust PMMA not only provides the necessary protection (IP54) but also ensures a homogeneous illumination with 5.700K.

**General ordering data**

|            |   |
|------------|---|
| Order No.  | 2899640000                                    |
| Type       | <a href="#">WIL-EXXXX-RXSS-5700-X700-M8XX</a> |
| GTIN (EAN) | 4064675906698                                 |
| Qty.       | 1 items                                       |

## WIL-EXXXX-RXSS-5700-X700-M8XX

**Weidmüller Interface GmbH & Co. KG**  
 Klingenbergstraße 26  
 D-32758 Detmold  
 Germany

www.weidmueller.com

## Technical data

### Approvals

Approvals



ROHS Conform

UL File Number Search [UL Website](#)

Certificate No. (cURus) E354496

### Dimensions and weights

|            |        |                 |             |
|------------|--------|-----------------|-------------|
| Depth      | 35 mm  | Depth (inches)  | 1.378 inch  |
| Height     | 35 mm  | Height (inches) | 1.378 inch  |
| Width      | 700 mm | Width (inches)  | 27.559 inch |
| Net weight | 418 g  |                 |             |

### Temperatures

Operating temperature -20 - 45°C

### Environmental Product Compliance

RoHS Compliance Status Compliant with exemption

RoHS Exemption (if applicable/known) 6c

REACH SVHC Lead 7439-92-1

SCIP 3ecd7eed-9477-489c-b868-70515b8da84d

### Cable technical specifications

Housing main material hard anodised aluminium

### Connection data

|                   |               |                   |  |
|-------------------|---------------|-------------------|--|
| Version           | pin, straight | Number of poles   | 4  |
| Coding            | A-coded       | Connection thread | M8   |
| Tightening torque | 0.6 Nm        | Wiring            | Pin 1: control white LED<br>24V DC, Pin 2: NC, Pin 3:<br>GND(-), Pin 4: NC |

### Electric data

|               |         |               |                       |
|---------------|---------|---------------|-----------------------|
| Rated voltage | 24 V DC | Rated current | 704.2 mA              |
| Power         | 16.9 W  | Dimmable      | yes, stepless dimming |

### General technical data

|                         |                |  |              |
|-------------------------|----------------|--|--------------|
| Type of connection      | Pin connector  | Electronic equipment on rolling stock                        | No           |
| Shape of the LED module | Round          | Light colour (CCT)   | 5700K, White |
| Light current           | 1214 lm        | Emitting angle   | 120 °        |
| Illumination level      | 530 lux        | Operating life   | 60.000 h     |
| Type of mounting        | Screw mounting | Drill hole spacing   | 709 mm       |
| Protection degree       | IP54           | Efficiency class (according to EU<br>Directive No. 874/2012) | Not required |

**WIL-EXXXX-RXSS-5700-X700-M8XX**

**Weidmüller Interface GmbH & Co. KG**  
Klingenbergstraße 26  
D-32758 Detmold  
Germany

[www.weidmueller.com](http://www.weidmueller.com)

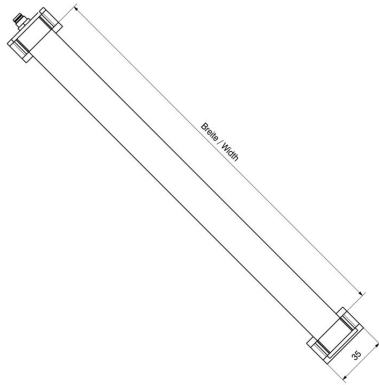
**Technical data****Material data**

|                       |      |                       |                         |
|-----------------------|------|-----------------------|-------------------------|
| Material of LED cover | PMMA | Housing main material | hard anodised aluminium |
|-----------------------|------|-----------------------|-------------------------|

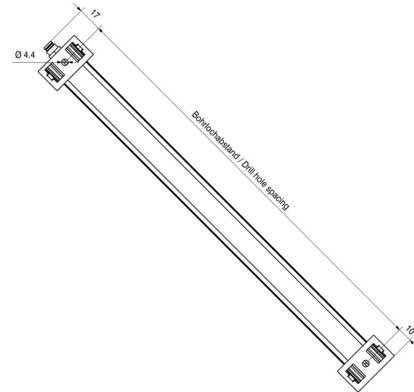
**Classifications**

|             |             |             |             |
|-------------|-------------|-------------|-------------|
| ETIM 8.0    | EC000996    | ETIM 9.0    | EC000996    |
| ETIM 10.0   | EC000996    | ECLASS 14.0 | 27-11-06-35 |
| ECLASS 15.0 | 27-11-06-35 |             |             |

Dimensioned drawing



Dimensioned drawing



Pole scheme

