

WIL-LXXXX-RXPS-5700-X190-M12D-X0

Weidmüller Interface GmbH & Co. KG
Klingenbergstraße 26
D-32758 Detmold
Germany

www.weidmueller.com



Our L-series, as standard and premium variants, is the ideal surface mounted light for the industrial field. The swiveling mounting brackets allow for easy and direct mounting and positioning of the illumination field. With only one power supply, it is possible to connect several lights in series. Simple connection technology with circular connectors enables plug-and-play. A special safety glass protects against industrial influences and at the same time provides homogeneous illumination in the light color 5.700K.

General ordering data

Order No.	2899320000
Type	WIL-LXXXX-RXPS-5700-X190-M12D-X0
GTIN (EAN)	4064675906377
Qty.	1 items

WIL-LXXXX-RXPS-5700-X190-M12D-X0

Weidmüller Interface GmbH & Co. KG
 Klingenbergstraße 26
 D-32758 Detmold
 Germany

www.weidmueller.com

Technical data
Approvals

Approvals



ROHS Conform

UL File Number Search [UL Website](#)

Certificate No. (cURus) E354496

Dimensions and weights

Depth	40 mm	Depth (inches)	1.5748 inch
Height	42 mm	Height (inches)	1.6535 inch
Width	190 mm	Width (inches)	7.4803 inch
Net weight	251 g		

Temperatures

Operating temperature -20 - 45°C

Environmental Product Compliance

RoHS Compliance Status Compliant with exemption

RoHS Exemption (if applicable/known) 6c

REACH SVHC Lead 7439-92-1

SCIP b1b97d04-507a-4265-bbfb-4e884ff5d5a9

Cable technical specifications

Housing main material hard anodised aluminium

Connection data

LED Modul is attachable	yes	Number of attachable LED modules, max.	4 piece
Version	pin, straight - socket, straight	Number of poles	5
Coding	A-coded	Connection thread	M12 / M12
Tightening torque	0.8 Nm	Wiring	Pin 1: control white LED 24V DC, Pin 2: NC, Pin 3: GND(-), Pin 4: NC, Pin 5: NC

Electric data

Rated voltage	24 V DC	Rated current	137.5 mA
Power	3.3 W	Dimmable	Yes

General technical data

Type of connection	Pin connector, Socket connector	Electronic equipment on rolling stock	No
Shape of the LED module	Round	Light colour (CCT)	5700K, White
Light current	339 lm	Emitting angle	100 °
Illumination level	133 lux	Operating life	60.000 h

WIL-LXXXX-RXPS-5700-X190-M12D-X0

Weidmüller Interface GmbH & Co. KG
 Klingenbergstraße 26
 D-32758 Detmold
 Germany

www.weidmueller.com

Technical data

Type of mounting	Screw mounting	Drill hole spacing	220 mm
Protection degree	IP67	Efficiency class (according to EU Directive No. 874/2012)	Not required

Material data

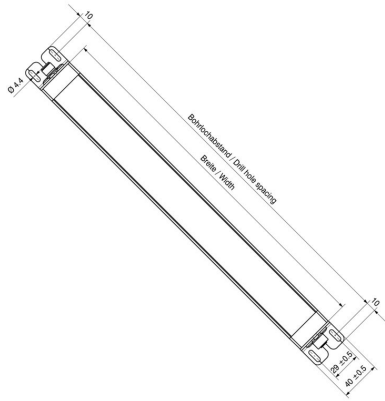
Material of LED cover	ESG	Housing main material	hard anodised aluminium
-----------------------	-----	-----------------------	-------------------------

Classifications

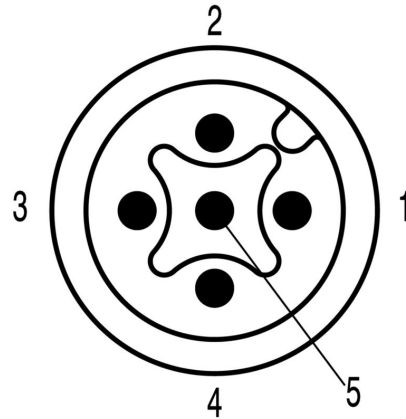
ETIM 8.0	EC000996	ETIM 9.0	EC000996
ETIM 10.0	EC000996	ECLASS 14.0	27-11-06-35
ECLASS 15.0	27-11-06-35		

Drawings

Dimensioned drawing



Pole scheme



Pole scheme

