

**WIL-LXXXX-RXPS-5700-X190-M12X-X0**

**Weidmüller Interface GmbH & Co. KG**  
Klingenbergstraße 26  
D-32758 Detmold  
Germany

www.weidmueller.com



Our L-series, as standard and premium variants, is the ideal surface mounted light for the industrial field. The swiveling mounting brackets allow for easy and direct mounting and positioning of the illumination field. With only one power supply, it is possible to connect several lights in series. Simple connection technology with circular connectors enables plug-and-play. A special safety glass protects against industrial influences and at the same time provides homogeneous illumination in the light color 5.700K.

**General ordering data**

Order No.	2899310000
Type	<a href="#">WIL-LXXXX-RXPS-5700-X190-M12X-X0</a>
GTIN (EAN)	4064675906360
Qty.	1 items

**WIL-LXXXX-RXPS-5700-X190-M12X-X0**

**Weidmüller Interface GmbH & Co. KG**  
 Klingenbergstraße 26  
 D-32758 Detmold  
 Germany

www.weidmueller.com

**Technical data**
**Approvals**

Approvals



ROHS Conform

UL File Number Search [UL Website](#)

Certificate No. (cURus) E354496

**Dimensions and weights**

Depth	40 mm	Depth (inches)	1.5748 inch
Height	42 mm	Height (inches)	1.6535 inch
Width	190 mm	Width (inches)	7.4803 inch
Net weight	238 g		

**Temperatures**

Operating temperature -20 - 45°C

**Environmental Product Compliance**

RoHS Compliance Status Compliant with exemption

RoHS Exemption (if applicable/known) 6c

REACH SVHC Lead 7439-92-1

SCIP b1b97d04-507a-4265-bbfb-4e884ff5d5a9

**Cable technical specifications**

Housing main material hard anodised aluminium

**Connection data**

LED Modul is attachable	no	Version	pin, straight
Number of poles	5	Coding	A-coded
Connection thread	M12	Wiring	Pin 1: control white LED 24V DC, Pin 2: NC, Pin 3: GND(-), Pin 4: NC, Pin 5: NC

**Electric data**

Rated voltage	24 V DC	Rated current	137.5 mA
Power	3.3 W	Dimmable	Yes

**General technical data**

Type of connection	Pin connector	Electronic equipment on rolling stock	No
Light colour (CCT)	5700K, White	Light current	339 lm
Emitting angle	100 °	Illumination level	133 lux
Operating life	60.000 h	Type of mounting	Screw mounting
Drill hole spacing	220 mm	Protection degree	IP67
Efficiency class (according to EU Directive No. 874/2012)	Not required		

**WIL-LXXXX-RXPS-5700-X190-M12X-X0**

**Weidmüller Interface GmbH & Co. KG**  
Klingenbergstraße 26  
D-32758 Detmold  
Germany

[www.weidmueller.com](http://www.weidmueller.com)

**Technical data****Material data**

Material of LED cover	ESG	Housing main material	hard anodised aluminium
-----------------------	-----	-----------------------	-------------------------

**Classifications**

ETIM 8.0	EC000996	ETIM 9.0	EC000996
ETIM 10.0	EC000996	ECLASS 14.0	27-11-06-35
ECLASS 15.0	27-11-06-35		

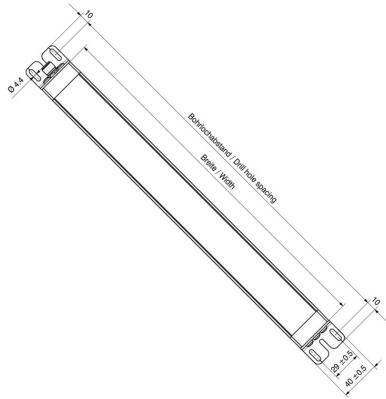
**WIL-LXXXX-RXPS-5700-X190-M12X-X0**

**Weidmüller Interface GmbH & Co. KG**  
Klingenbergstraße 26  
D-32758 Detmold  
Germany

[www.weidmueller.com](http://www.weidmueller.com)

Drawings

Dimensioned drawing



Pole scheme

