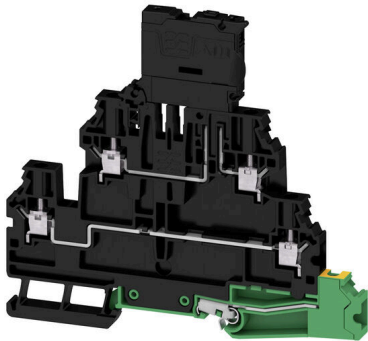


**W2T 4 FS-FT-PE 10-36V BK STB****Weidmüller Interface GmbH & Co. KG**

Klingenbergstraße 26

D-32758 Detmold

Germany

[www.weidmueller.com](http://www.weidmueller.com)

Automation in the process industry requires flexible solutions for complex production processes. Your circuit diagrams are no less complex and often undergo changes shortly before the end. With our new range of DCS marshalling terminal blocks you can solve these challenges. Even a „last minute change“ is feasible for you without having to change the wiring you have already done. Thanks to the single and double-level arrangement of the terminal blocks, combined with the provision of the four basic functions (continuity, disconnect, fuse, ground), you achieve maximum flexibility when connecting your devices wired in the field. We also offer you an alternative to connecting the shield to PE for your potential-free shielding concepts.

**General ordering data**

Version	Fuse terminal, Screw connection, black, 4 mm <sup>2</sup> , 6.3 A, 36 V, Number of connections: 5, Number of levels: 3, TS 35
Order No.	<a href="#">2894110000</a>
Type	W2T 4 FS-FT-PE 10-36V BK STB
GTIN (EAN)	4064675885153
Qty.	50 items

## W2T 4 FS-FT-PE 10-36V BK STB

**Weidmüller Interface GmbH & Co. KG**  
 Klingenbergstraße 26  
 D-32758 Detmold  
 Germany

www.weidmueller.com

## Technical data

### Approvals

Approvals



ROHS	Conform
UL File Number Search	<a href="#">UL Website</a>
Certificate No. (cURus)	E60693

### Dimensions and weights

Depth	99.5 mm	Depth (inches)	3.9173 inch
Height	106.5 mm	Height (inches)	4.1929 inch
Width	6.1 mm	Width (inches)	0.2402 inch
Net weight	36.52 g		

### Temperatures

Ambient temperature	-60 °C...85 °C	Continuous operating temp., min.	-60 °C
Continuous operating temp., max.	130 °C		

### Environmental Product Compliance

RoHS Compliance Status	Compliant with exemption
RoHS Exemption (if applicable/known)	6c
REACH SVHC	Lead 7439-92-1
SCIP	71bca7a4-d3a0-4004-a59e-223f1cfa650d

### Material data

Basic material	Wemid	Colour	black
UL 94 flammability rating	V-0		

### Rating data IECEx/ATEX

Certificate No. (ATEX)	TUEV20ATEX8502U	Certificate No. (IECEX)	IECEXTUR20.0014U
Current (ATEX)	6.3 A	Wire cross section max. (ATEX)	4 mm <sup>2</sup>
Current (IECEX)	6.3 A	Wire cross section max. (IECEX)	4 mm <sup>2</sup>

### System specifications

End cover plate required	Yes	Number of potentials	3
Number of levels	3	Number of clamping points per level	2
Number of potentials per tier	1	Levels cross-connected internally	No
Mounting rail	TS 35	N-function	No
PE function	Yes	PEN function	No

### Additional technical data

Open sides	right	Snap-on	Yes
Installation advice	TS 35	Explosion-tested version	No

## W2T 4 FS-FT-PE 10-36V BK STB

**Weidmüller Interface GmbH & Co. KG**  
 Klingenbergstraße 26  
 D-32758 Detmold  
 Germany

www.weidmueller.com

## Technical data

Type of mounting	TS 35
------------------	-------

### CSA rating data

Wire cross section max. (CSA)	12 AWG	Voltage size C (CSA)	300 V
Current size C (CSA)	10 A	Certificate No. (CSA)	227442-80219640
Voltage size B (CSA)	300 V	Current size B (CSA)	10 A
Voltage size D (CSA)	600 V	Current size D (CSA)	5 A
Wire cross section min. (CSA)	24 AWG		

### Conductors for clamping (additional connection)

Connection type, additional connection	Screw connection
--	------------------

### Conductors for clamping (rated connection)

Gauge to IEC 60947-1	A3	Wire connection cross section AWG, max.	AWG 10
Connection direction	on side	Tightening torque, max.	0.6 Nm
Tightening torque, min.	0.5 Nm	Stripping length	8 mm
Type of connection 2	Screw connection	Type of connection	Screw connection
Number of connections	5	Clamping range, max.	6 mm <sup>2</sup>
Clamping range, min.	0.25 mm <sup>2</sup>	Clamping screw	M 3
Blade size	0.6 x 3.5 mm	Wire connection cross section AWG, min.	AWG 24
Wire connection cross-section, finely stranded with wire-end ferrules DIN 46228/4, max.	4 mm <sup>2</sup>	Wire connection cross-section, finely stranded with wire-end ferrules DIN 46228/4, min.	0.25 mm <sup>2</sup>
Wire connection cross-section, finely stranded with wire-end ferrules DIN 46228/1, max.	4 mm <sup>2</sup>	Wire connection cross-section, finely stranded with wire-end ferrules DIN 46228/1, min.	0.25 mm <sup>2</sup>
Wire connection cross section, finely stranded, max.	6 mm <sup>2</sup>	Wire connection cross section, finely stranded, min.	0.25 mm <sup>2</sup>
Connection cross-section, stranded, max.	6 mm <sup>2</sup>	Connection cross-section, stranded, min.	0.25 mm <sup>2</sup>
Twin wire-end ferrules, max.	1.5 mm <sup>2</sup>	Twin wire-end ferrules, min.	0.5 mm <sup>2</sup>
Wire connection cross-section, solid core, max.	6 mm <sup>2</sup>	Wire connection cross-section, solid core, min.	0.25 mm <sup>2</sup>
Connection cross-section, finely stranded, min.	0.25 mm <sup>2</sup>		

### General

Wire connection cross section AWG, max.	AWG 10	Installation advice	TS 35
Wire connection cross section AWG, min.	AWG 24	Standards	IEC 60947-7-3, IEC 60947-7-2, IEC 60947-7-1
Mounting rail	TS 35		

### Rating data

Rated cross-section	4 mm <sup>2</sup>	Rated voltage	36 V
Rated DC voltage	36 V	Nominal current	6.3 A
Current at maximum wires	6.3 A	Standards	IEC 60947-7-3, IEC 60947-7-2, IEC 60947-7-1
Volume resistance according to IEC 60947-7-x	1 mΩ	Rated impulse withstand voltage	6 kV
Surge voltage category	III	Pollution severity	3

**W2T 4 FS-FT-PE 10-36V BK STB**

**Weidmüller Interface GmbH & Co. KG**  
 Klingenbergstraße 26  
 D-32758 Detmold  
 Germany

www.weidmueller.com

**Technical data**

**UL rating data**

Conductor size Factory wiring max. (cURus)	12 AWG	Certificate No. (cURus)	E60693
Conductor size Field wiring min. (cURus)	24 AWG	Conductor size Factory wiring min. (cURus)	24 AWG
Conductor size Field wiring max. (cURus)	12 AWG		

**Important note**

Product information	The voltage depends on the selected fuse element or the selected indicator light
---------------------	--

**Classifications**

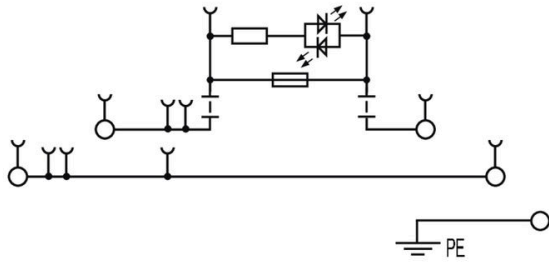
ETIM 8.0	EC000899	ETIM 9.0	EC000899
ETIM 10.0	EC000899	ECLASS 14.0	27-25-01-13
ECLASS 15.0	27-25-01-13		

**W2T 4 FS-FT-PE 10-36V BK STB**

**Weidmüller Interface GmbH & Co. KG**  
Klingenbergstraße 26  
D-32758 Detmold  
Germany

**Drawings**

[www.weidmueller.com](http://www.weidmueller.com)



**Version with hollow screw for testing**