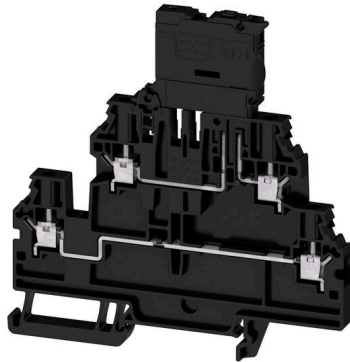


**W2T 4 FS-FT 100-250V BK STB****Weidmüller Interface GmbH & Co. KG**

Klingenbergstraße 26

D-32758 Detmold

Germany

[www.weidmueller.com](http://www.weidmueller.com)

Automation in the process industry requires flexible solutions for complex production processes. Your circuit diagrams are no less complex and often undergo changes shortly before the end. With our new range of DCS marshalling terminal blocks you can solve these challenges. Even a „last minute change“ is feasible for you without having to change the wiring you have already done. Thanks to the single and double-level arrangement of the terminal blocks, combined with the provision of the four basic functions (continuity, disconnect, fuse, ground), you achieve maximum flexibility when connecting your devices wired in the field. We also offer you an alternative to connecting the shield to PE for your potential-free shielding concepts.

**General ordering data**

|            |  |
|------------|--|
| Version    | Fuse terminal, Screw connection, black, 4 mm <sup>2</sup> , 6.3 A, 250 V, Number of connections: 4, Number of levels: 2, TS 35 |
| Order No.  | <a href="#">2894040000</a>   |
| Type       | W2T 4 FS-FT 100-250V BK STB  |
| GTIN (EAN) | 4064675885085  |
| Qty.       | 50 items   |

## W2T 4 FS-FT 100-250V BK STB

Weidmüller Interface GmbH & Co. KG  
Klingenbergstraße 26  
D-32758 Detmold  
Germany

www.weidmueller.com

## Technical data

## Approvals

Approvals



|                         |                            |
|-------------------------|----------------------------|
| ROHS                    | Conform                    |
| UL File Number Search   | <a href="#">UL Website</a> |
| Certificate No. (cURus) | E60693                     |

## Dimensions and weights

|            |         |                 |             |
|------------|---------|-----------------|-------------|
| Depth      | 99.5 mm | Depth (inches)  | 3.9173 inch |
| Height     | 95.5 mm | Height (inches) | 3.7598 inch |
| Width      | 6.1 mm  | Width (inches)  | 0.2402 inch |
| Net weight | 31.53 g |                 |             |

## Temperatures

|                                  |        |                                  |        |
|----------------------------------|--------|----------------------------------|--------|
| Continuous operating temp., min. | -60 °C | Continuous operating temp., max. | 130 °C |
|----------------------------------|--------|----------------------------------|--------|

## Environmental Product Compliance

|                                      |                                      |
|--------------------------------------|--------------------------------------|
| RoHS Compliance Status               | Compliant with exemption             |
| RoHS Exemption (if applicable/known) | 6c                                   |
| REACH SVHC                           | Lead 7439-92-1                       |
| SCIP                                 | 71bca7a4-d3a0-4004-a59e-223f1cfa650d |

## Material data

|                           |       |        |       |
|---------------------------|-------|--------|-------|
| Basic material            | Wemid | Colour | black |
| UL 94 flammability rating | V-0   |        |       |

## Rating data IECEx/ATEX

|                        |                 |                                 |                   |
|------------------------|-----------------|---------------------------------|-------------------|
| Certificate No. (ATEX) | TUEV20ATEX8502U | Certificate No. (IECEX)         | IECEXTUR20.0014U  |
| Current (ATEX)         | 6.3 A           | Wire cross section max. (ATEX)  | 4 mm <sup>2</sup> |
| Current (IECEX)        | 6.3 A           | Wire cross section max. (IECEX) | 4 mm <sup>2</sup> |

## System specifications

|                               |       |                                     |    |
|-------------------------------|-------|-------------------------------------|----|
| End cover plate required      | Yes   | Number of potentials                | 2  |
| Number of levels              | 2     | Number of clamping points per level | 2  |
| Number of potentials per tier | 1     | Levels cross-connected internally   | No |
| Mounting rail                 | TS 35 | N-function                          | No |
| PE function                   | No    | PEN function                        | No |

## Additional technical data

|                     |       |                          |     |
|---------------------|-------|--------------------------|-----|
| Open sides          | right | Snap-on                  | Yes |
| Installation advice | TS 35 | Explosion-tested version | No  |
| Type of mounting    | TS 35 |                          |     |

## W2T 4 FS-FT 100-250V BK STB

Weidmüller Interface GmbH &amp; Co. KG

Klingenbergstraße 26

D-32758 Detmold

Germany

www.weidmueller.com

## Technical data

## CSA rating data

|                               |        |                       |                 |
|-------------------------------|--------|-----------------------|-----------------|
| Wire cross section max. (CSA) | 12 AWG | Voltage size C (CSA)  | 300 V           |
| Current size C (CSA)          | 10 A   | Certificate No. (CSA) | 227442-80219640 |
| Voltage size B (CSA)          | 300 V  | Current size B (CSA)  | 10 A            |
| Voltage size D (CSA)          | 600 V  | Current size D (CSA)  | 5 A             |
| Wire cross section min. (CSA) | 24 AWG |                       |                 |

## Conductors for clamping (additional connection)

Connection type, additional connection Screw connection

## Conductors for clamping (rated connection)

|   |                      |   |                      |
|---|----------------------|---|----------------------|
| Gauge to IEC 60947-1  | A3                   | Wire connection cross section AWG, max.   | AWG 10               |
| Connection direction  | on side              | Tightening torque, max.   | 0.6 Nm               |
| Tightening torque, min.   | 0.5 Nm               | Stripping length  | 8 mm                 |
| Type of connection 2  | Screw connection     | Type of connection  | Screw connection     |
| Number of connections   | 4                    | Clamping range, max.  | 6 mm <sup>2</sup>    |
| Clamping range, min.  | 0.25 mm <sup>2</sup> | Clamping screw  | M 3                  |
| Blade size  | 0.6 x 3.5 mm         | Wire connection cross section AWG, min.   | AWG 24               |
| Wire connection cross-section, finely stranded with wire-end ferrules DIN 46228/4, max. | 4 mm <sup>2</sup>    | Wire connection cross-section, finely stranded with wire-end ferrules DIN 46228/4, min. | 0.25 mm <sup>2</sup> |
| Wire connection cross-section, finely stranded with wire-end ferrules DIN 46228/1, max. | 4 mm <sup>2</sup>    | Wire connection cross-section, finely stranded with wire-end ferrules DIN 46228/1, min. | 0.25 mm <sup>2</sup> |
| Wire connection cross section, finely stranded, max.                                    | 6 mm <sup>2</sup>    | Wire connection cross section, finely stranded, min.                                    | 0.25 mm <sup>2</sup> |
| Connection cross-section, stranded, max.  | 6 mm <sup>2</sup>    | Connection cross-section, stranded, min.  | 0.25 mm <sup>2</sup> |
| Twin wire-end ferrules, max.  | 1.5 mm <sup>2</sup>  | Twin wire-end ferrules, min.  | 0.5 mm <sup>2</sup>  |
| Wire connection cross-section, solid core, max.   | 6 mm <sup>2</sup>    | Wire connection cross-section, solid core, min.   | 0.25 mm <sup>2</sup> |
| Connection cross-section, finely stranded, min.   | 0.25 mm <sup>2</sup> |   |                      |

## General

|   |        |                     |                              |
|---|--------|---------------------|------------------------------|
| Wire connection cross section AWG, max. | AWG 10 | Installation advice | TS 35                        |
| Wire connection cross section AWG, min. | AWG 24 | Standards           | IEC 60947-7-3, IEC 60947-7-1 |
| Mounting rail                           | TS 35  |                     |                              |

## Rating data

|  |                   |                                 |                              |
|--|-------------------|---------------------------------|------------------------------|
| Rated cross-section                          | 4 mm <sup>2</sup> | Rated voltage                   | 250 V                        |
| Rated DC voltage                             | 250 V             | Nominal current                 | 6.3 A                        |
| Current at maximum wires                     | 6.3 A             | Standards                       | IEC 60947-7-3, IEC 60947-7-1 |
| Volume resistance according to IEC 60947-7-x | 1 mΩ              | Rated impulse withstand voltage | 6 kV                         |
| Surge voltage category                       | III               | Pollution severity              | 3                            |

**W2T 4 FS-FT 100-250V BK STB**

**Weidmüller Interface GmbH & Co. KG**  
 Klingenbergstraße 26  
 D-32758 Detmold  
 Germany

www.weidmueller.com

**Technical data**

**UL rating data**

|  |        |  |        |
|--|--------|--|--------|
| Conductor size Factory wiring max. (cURus) | 12 AWG | Certificate No. (cURus)                    | E60693 |
| Conductor size Field wiring min. (cURus)   | 24 AWG | Conductor size Factory wiring min. (cURus) | 24 AWG |
| Conductor size Field wiring max. (cURus)   | 12 AWG |  |        |

**Important note**

|                     |  |
|---------------------|--|
| Product information | The voltage depends on the selected fuse element or the selected indicator light |
|---------------------|--|

**Classifications**

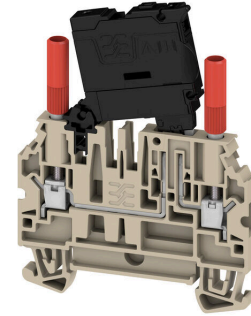
|             |             |             |             |
|-------------|-------------|-------------|-------------|
| ETIM 8.0    | EC000899    | ETIM 9.0    | EC000899    |
| ETIM 10.0   | EC000899    | ECLASS 14.0 | 27-25-01-13 |
| ECLASS 15.0 | 27-25-01-13 |             |             |

**W2T 4 FS-FT 100-250V BK STB**

**Weidmüller Interface GmbH & Co. KG**  
Klingenbergstraße 26  
D-32758 Detmold  
Germany

**Drawings**

[www.weidmueller.com](http://www.weidmueller.com)



**Version with hollow screw for testing**