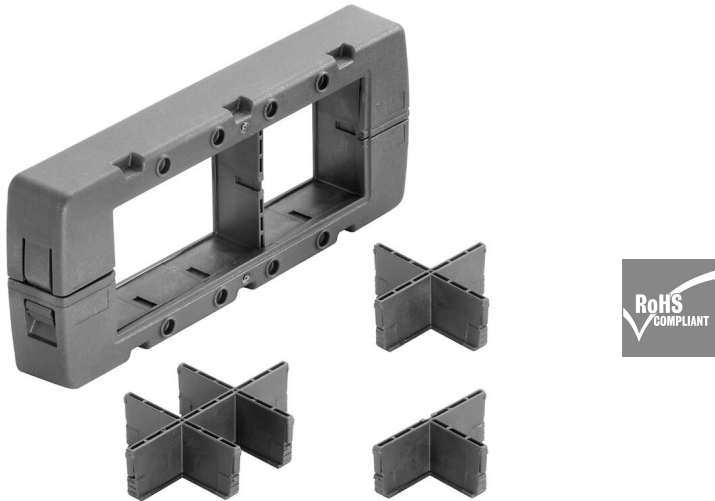


CABTITE FRFT 24/10 SET

Weidmüller Interface GmbH & Co. KG
 Klingenbergstraße 26
 D-32758 Detmold
 Germany

www.weidmueller.com



The frame, fabricated from a single piece, is quick and easy to assemble and consists of dimensionally stable, fibre-glass reinforced plastic. The captive foamed seal guarantees effective IP66 sealing in accordance with DIN EN 60529, even on painted and rough surfaces.

General ordering data

| | |
|------------|---|
| Version | Frame, Cabtite (cable entry system), Polyamide, glass fibre-reinforced, Deep black, Height: 64 mm, Width: 153 mm, Depth: 24.2 mm, -40 °C...120 °C, IP66 |
| Order No. | 2891560000 |
| Type | CABTITE FRFT 24/10 SET |
| GTIN (EAN) | 4064675880653 |
| Qty. | 1 items |

CABTITE FRFT 24/10 SET

Weidmüller Interface GmbH & Co. KG
 Klingenbergstraße 26
 D-32758 Detmold
 Germany

www.weidmueller.com

Technical data

Approvals

Approvals



ROHS Conform

Dimensions and weights

| | | | |
|------------|---------|-----------------|-------------|
| Depth | 24.2 mm | Depth (inches) | 0.9528 inch |
| Height | 64 mm | Height (inches) | 2.5197 inch |
| Width | 153 mm | Width (inches) | 6.0236 inch |
| Net weight | 111.5 g | | |

Temperatures

Operating temperature -40 °C...120 °C

Environmental Product Compliance

RoHS Compliance Status Compliant without exemption
 REACH SVHC No SVHC above 0.1 wt%

General information

| | | | |
|---------------------------|--|-----------------------|-----------------------------------|
| Tightening torque | 3 Nm | Silicone | No |
| UL 94 flammability rating | V-0 | Halogen | No, halogen-free |
| Protection degree | IP66 | Basic material | Polyamide, glass fibre-reinforced |
| Sealing | TPE | Protection class (UL) | Type 12, Type 4X |
| Opening length | 113.5 mm | Opening width | 36 mm |
| Sealing element | 2 large sealing elements and 4 small sealing elements or 1 large sealing element and 6 small sealing elements or 10 small sealing elements | | |

Standard features

| | | | |
|---------|-----------------|-------------------|--|
| Version | in closed state | Reference product | CABTITE FRFT 24/10 , CABTITE GI T BK , CABTITE GI X BK , CABTITE GI H BK |
|---------|-----------------|-------------------|--|

Important note

Product information The set is made from UR-certified individual parts, so the approval is also valid for the set. Fixing material for mounting on the enclosure or control cabinet, is not included.

Classifications

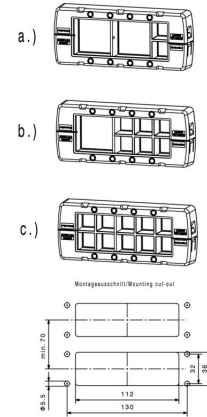
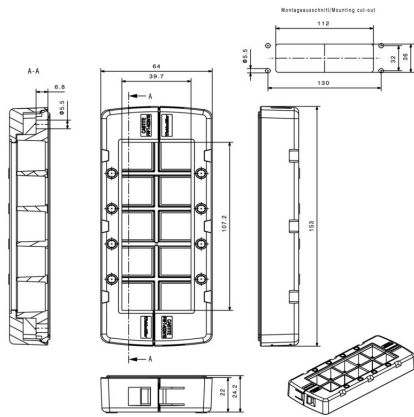
| | | | |
|-------------|-------------|-------------|-------------|
| ETIM 8.0 | EC002624 | ETIM 9.0 | EC002624 |
| ETIM 10.0 | EC002624 | ECLASS 14.0 | 27-18-28-15 |
| ECLASS 15.0 | 27-18-28-15 | | |

CABTITE FRFT 24/10 SET

Weidmüller Interface GmbH & Co. KG
 Klingenbergstraße 26
 D-32758 Detmold
 Germany

Drawings

www.weidmueller.com



Example of use

