

CABTITE FRFT 24/10

Weidmüller Interface GmbH & Co. KG
Klingenbergstraße 26
D-32758 Detmold
Germany

www.weidmueller.com



The frame, fabricated from a single piece, is quick and easy to assemble and consists of dimensionally stable, fibre-glass reinforced plastic. The captive foamed seal guarantees effective IP66 sealing in accordance with DIN EN 60529, even on painted and rough surfaces.

General ordering data

Version	Frame, Cabtite (cable entry system), Polyamide, glass fibre-reinforced, Deep black, Height: 70 mm, Width: 81 mm, Depth: 19.6 mm, -40 °C...120 °C, IP66
Order No.	2891540000
Type	CABTITE FRFT 24/10
GTIN (EAN)	4064675880639
Qty.	1 items

CABTITE FRFT 24/10

Weidmüller Interface GmbH & Co. KG
 Klingenbergstraße 26
 D-32758 Detmold
 Germany

www.weidmueller.com

Technical data

Approvals

Approvals



ROHS	Conform
UL File Number Search	UL Website
Certificate No. (cURus)	E223801

Dimensions and weights

Depth	19.6 mm	Depth (inches)	0.7717 inch
Height	70 mm	Height (inches)	2.7559 inch
Width	81 mm	Width (inches)	3.189 inch
Net weight	94 g		

Temperatures

Operating temperature	-40 °C... 120 °C
-----------------------	------------------

Environmental Product Compliance

RoHS Compliance Status	Compliant without exemption
REACH SVHC	No SVHC above 0.1 wt%

General information

Tightening torque	3 Nm	Silicone	No
UL 94 flammability rating	V-0	Halogen	No, halogen-free
Protection degree	IP66	Basic material	Polyamide, glass fibre-reinforced
Sealing	TPE	Protection class (UL)	Type 12, Type 4X
Opening length	113.5 mm	Opening width	36 mm
Sealing element	2 large sealing elements and 4 small sealing elements or 1 large sealing element and 6 small sealing elements or 10 small sealing elements		

Classifications

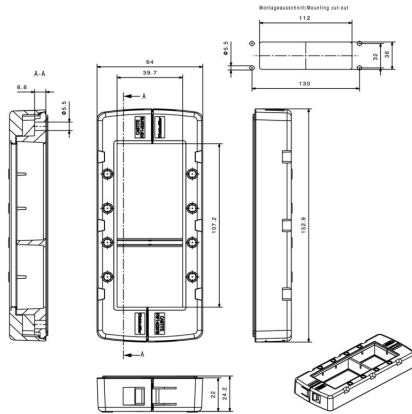
ETIM 8.0	EC002624	ETIM 9.0	EC002624
ETIM 10.0	EC002624	ECLASS 14.0	27-18-28-15
ECLASS 15.0	27-18-28-15		

CABTITE FRFT 24/10

Weidmüller Interface GmbH & Co. KG
Klingenbergstraße 26
D-32758 Detmold
Germany

Drawings

www.weidmueller.com



CABTITE FRFT 24/10

Weidmüller Interface GmbH & Co. KG
 Klingenbergstraße 26
 D-32758 Detmold
 Germany

www.weidmueller.com

Accessories

Inlays



The pluggable click inlays allow the frame openings to be configured as required for use with small or large sealing elements. An audible "click" confirms correct installation. This means that the Cabtite cable entry system can be variably configured for different requirements (cables, conductors, hoses, pneumatic and hydraulic lines).

General ordering data

Type	CABTITE GI H BK	Version
Order No.	2584270000	Inlay, Cabtite (cable entry system), Polyamide, glass fibre-reinforced,
GTIN (EAN)	4050118617122	Deep black, Height: 44 mm, Width: 67 mm, Depth: 17.5 mm, -40 °C...
Qty.	5 ST	120 °C, IP66
Type	CABTITE GI X BK	Version
Order No.	2584290000	Inlay, Cabtite (cable entry system), Polyamide, glass fibre-reinforced,
GTIN (EAN)	4050118616439	Deep black, Height: 44 mm, Width: 44 mm, Depth: 17.5 mm, -40 °C...
Qty.	5 ST	120 °C, IP66
Type	CABTITE GI T BK	Version
Order No.	2584300000	Inlay, Cabtite (cable entry system), Polyamide, glass fibre-reinforced,
GTIN (EAN)	4050118619195	Deep black, Height: 25 mm, Width: 44 mm, Depth: 17.5 mm, -40 °C...
Qty.	5 ST	120 °C, IP66

Shield connection rails



In combination with a large number of different shield connection clamps (KLBÜ), the shield connection rails enable practical, uncomplicated and fast shielding of cables.

General ordering data

Type	CABTITE CR 24/10 EMV	Version
Order No.	2583890000	Shield connection rail, Cabtite (cable entry system), Steel, galvanized,
GTIN (EAN)	4050118647068	silver, Height: 35.23 mm, Width: 140 mm, Depth: 16 mm
Qty.	10 ST	

CABTITE FRFT 24/10

Weidmüller Interface GmbH & Co. KG
 Klingenbergstraße 26
 D-32758 Detmold
 Germany

www.weidmueller.com

Accessories

Locking frame



The frame, fabricated from a single piece, is quick and easy to assemble and consists of dimensionally stable, fibre-glass reinforced plastic. The captive foamed seal guarantees effective IP66 sealing in accordance with DIN EN 60529, even on painted and rough surfaces.

General ordering data

Type	CABTITE OFRL BK	Version	
Order No.	2907560000	Locking frame, Cabtite (cable entry system), Polyamide, Deep black,	
GTIN (EAN)	4099986539549	Height: 77 mm, Width: 9 mm, Depth: 62 mm, -40 °C...120 °C	
Qty.	20 ST		

Fixing material



The Cabtite cable entry system offers maximum flexibility in the cable management of control cabinets, enclosures and machines, while at the same time saving time, as well as providing secure sealing and strain relief for pre-terminated and non-terminated cables.

Cabtite's modular design of frame, grid inlays and sealing elements enables rapid configuration of cut-outs for pre-terminated cables - without the use of tools and with a reliable sealing of IP66 according to DIN EN 60529. Frame. Inlay. Sealing element. Three basic components in the modular system guarantee highest flexibility, variability and diversity of variants.

General ordering data

Type	CABTITE SC M5X25 SET	Version	
Order No.	2635120000	Mounting screw, Cabtite (cable entry system), Stainless steel, rust-	
GTIN (EAN)	4050118662160	proof, silver, Height: 30 mm, Width: 8.5 mm, Depth: 8.5 mm	
Qty.	1 ST		

CABTITE FRFT 24/10

Weidmüller Interface GmbH & Co. KG
 Klingenbergstraße 26
 D-32758 Detmold
 Germany

Accessories

www.weidmueller.com

SE small 20x20mm in grey



Whether a large or small cable diameter – Cabtite always offers the right seal insert.

The conical shape of the sealing elements allows the previously positioned snap-in grid inlays to be pushed in easily from the inside to the outside. It reliably seals intermediate spaces and provides strain relief in accordance with DIN EN 62444. The seal inserts combined with the frames achieve an IP 66 degree of protection. As a result of its slotted design with wave cut, it is especially suitable for pre-assembled cables.

- The black seal inserts are designed for a particularly high operating temperature and offer fire safety class UL 94 HB
- The grey sealing elements comply with fire safety class UL 94 V0 and are therefore suitable for the demands of the railway industry
- By using multiple inserts, two or more cables, as well as special cables, can be passed through a sealing element

General ordering data

Type	CABTITE BSE SML GY	Version
Order No.	2583350000	Sealing element, Cabtite (cable entry system), TPE, Light Grey, Height:
GTIN (EAN)	4050118615609	20.3 mm, Width: 20.3 mm, Depth: 17.7 mm, -40 °C...90 °C, IP66
Qty.	10 ST	
Type	CABTITE SE 5-6 SML GY	Version
Order No.	2583450000	Sealing element, Cabtite (cable entry system), TPE, Light Grey, Height:
GTIN (EAN)	4050118616538	20.3 mm, Width: 20.3 mm, Depth: 17.7 mm, -40 °C...90 °C, IP66
Qty.	10 ST	
Type	CABTITE SE 6-7 SML GY	Version
Order No.	2583460000	Sealing element, Cabtite (cable entry system), TPE, Light Grey, Height:
GTIN (EAN)	4050118616668	20.3 mm, Width: 20.3 mm, Depth: 17.7 mm, -40 °C...90 °C, IP66
Qty.	10 ST	
Type	CABTITE SE 2/5-6 SML GY	Version
Order No.	2584890000	Sealing element, Cabtite (cable entry system), TPE, Light Grey, Height:
GTIN (EAN)	4050118616781	20.3 mm, Width: 20.3 mm, Depth: 17.7 mm, -40 °C...90 °C, IP66
Qty.	10 ST	

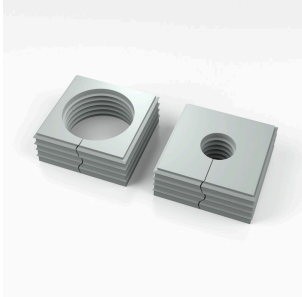
CABTITE FRFT 24/10

Weidmüller Interface GmbH & Co. KG
 Klingenbergstraße 26
 D-32758 Detmold
 Germany

Accessories

www.weidmueller.com

SE large 40x40mm in grey



Whether a large or small cable diameter – Cabtite always offers the right seal insert.

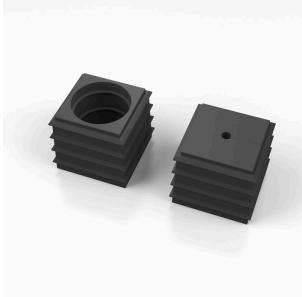
The conical shape of the sealing elements allows the previously positioned snap-in grid inlays to be pushed in easily from the inside to the outside. It reliably seals intermediate spaces and provides strain relief in accordance with DIN EN 62444. The seal inserts combined with the frames achieve an IP 66 degree of protection. As a result of its slotted design with wave cut, it is especially suitable for pre-assembled cables.

- The black seal inserts are designed for a particularly high operating temperature and offer fire safety class UL 94 HB
- The grey sealing elements comply with fire safety class UL 94 V0 and are therefore suitable for the demands of the railway industry
- By using multiple inserts, two or more cables, as well as special cables, can be passed through a sealing element

General ordering data

Type	CABTITE BSE LRG GY	Version
Order No.	2584520000	Sealing element, Cabtite (cable entry system), TPE, Light Grey, Height:
GTIN (EAN)	4050118616330	42.8 mm, Width: 42.8 mm, Depth: 17.7 mm, -40 °C...90 °C, IP66
Qty.	10 ST	
Type	CABTITE SE 19-20 LRG GY	Version
Order No.	2584460000	Sealing element, Cabtite (cable entry system), TPE, Light Grey, Height:
GTIN (EAN)	4050118616491	42.8 mm, Width: 42.8 mm, Depth: 17.7 mm, -40 °C...90 °C, IP66
Qty.	10 ST	

SE small 20x20mm in black



Whether a large or small cable diameter – Cabtite always offers the right seal insert.

The conical shape of the sealing elements allows the previously positioned snap-in grid inlays to be pushed in easily from the inside to the outside. It reliably seals intermediate spaces and provides strain relief in accordance with DIN EN 62444. The seal inserts combined with the frames achieve an IP 66 degree of protection. As a result of its slotted design with wave cut, it is especially suitable for pre-assembled cables.

- The black seal inserts are designed for a particularly high operating temperature and offer fire safety class UL 94 HB
- The grey sealing elements comply with fire safety class UL 94 V0 and are therefore suitable for the demands of the railway industry
- By using multiple inserts, two or more cables, as well as special cables, can be passed through a sealing element

CABTITE FRFT 24/10

Weidmüller Interface GmbH & Co. KG
 Klingenbergstraße 26
 D-32758 Detmold
 Germany

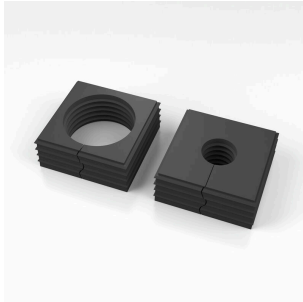
Accessories

www.weidmueller.com

General ordering data

Type	CABTITE BSE SML BK	Version
Order No.	2584790000	Sealing element, Cabtite (cable entry system), TPE, Deep black,
GTIN (EAN)	4050118616057	Height: 20.3 mm, Width: 20.3 mm, Depth: 17.7 mm, -40 °C...120 °C,
Qty.	10 ST	IP66
Type	CABTITE SE 7-8 SML BK	Version
Order No.	2584670000	Sealing element, Cabtite (cable entry system), TPE, Deep black,
GTIN (EAN)	4050118616989	Height: 20.3 mm, Width: 20.3 mm, Depth: 17.7 mm, -40 °C...120 °C,
Qty.	10 ST	IP66
Type	CABTITE SE 9-10 SML BK	Version
Order No.	2584080000	Sealing element, Cabtite (cable entry system), TPE, Deep black,
GTIN (EAN)	4050118616309	Height: 20.3 mm, Width: 20.3 mm, Depth: 17.7 mm, -40 °C...120 °C,
Qty.	10 ST	IP66
Type	CABTITE SE 4/4-5 SML BK	Version
Order No.	2583560000	Sealing element, Cabtite (cable entry system), TPE, Deep black,
GTIN (EAN)	4050118616897	Height: 20.3 mm, Width: 20.3 mm, Depth: 17.7 mm, -40 °C...120 °C,
Qty.	10 ST	IP66

SE large 40x40mm in black



Whether a large or small cable diameter – Cabtite always offers the right seal insert.

The conical shape of the sealing elements allows the previously positioned snap-in grid inlays to be pushed in easily from the inside to the outside. It reliably seals intermediate spaces and provides strain relief in accordance with DIN EN 62444. The seal inserts combined with the frames achieve an IP 66 degree of protection. As a result of its slotted design with wave cut, it is especially suitable for pre-assembled cables.

- The black seal inserts are designed for a particularly high operating temperature and offer fire safety class UL 94 HB
- The grey sealing elements comply with fire safety class UL 94 V0 and are therefore suitable for the demands of the railway industry
- By using multiple inserts, two or more cables, as well as special cables, can be passed through a sealing element

General ordering data

Type	CABTITE BSE LRG BK	Version
Order No.	2583900000	Sealing element, Cabtite (cable entry system), TPE, Deep black,
GTIN (EAN)	4050118616378	Height: 42.8 mm, Width: 42.8 mm, Depth: 17.7 mm, -40 °C...120 °C,
Qty.	10 ST	IP66
Type	CABTITE CSE 7-24 LRG BK	Version
Order No.	2583500000	Sealing element, Cabtite (cable entry system), TPE, Deep black,
GTIN (EAN)	4050118615975	Height: 42.8 mm, Width: 42.8 mm, Depth: 63 mm, -40 °C...120 °C,
Qty.	10 ST	IP66

CABTITE FRFT 24/10

Weidmüller Interface GmbH & Co. KG
 Klingenbergstraße 26
 D-32758 Detmold
 Germany

www.weidmueller.com

Accessories

Blanking plug

The blanking plugs are used for the safe closing of unneeded cable passages in the sealing elements.



General ordering data

Type	CABTITE BP 5MM PA	Version
Order No.	2652330000	Blind plug, Cabtite (cable entry system), Polyamide, white, Height: 12 mm, Width: 5 mm, Depth: 12 mm, -40 °C...120 °C, IP66
GTIN (EAN)	4050118661835	
Qty.	25 ST	
Type	CABTITE BP 6MM PA	Version
Order No.	2652340000	Blind plug, Cabtite (cable entry system), Polyamide, white, Height: 16 mm, Width: 6 mm, Depth: 16 mm, -40 °C...120 °C, IP66
GTIN (EAN)	4050118661842	
Qty.	25 ST	
Type	CABTITE BP 7MM PA	Version
Order No.	2652350000	Blind plug, Cabtite (cable entry system), Polyamide, white, Height: 16 mm, Width: 7 mm, Depth: 16 mm, -40 °C...120 °C, IP66
GTIN (EAN)	4050118662450	
Qty.	25 ST	
Type	CABTITE BP 8MM PA	Version
Order No.	2652360000	Blind plug, Cabtite (cable entry system), Polyamide, white, Height: 16 mm, Width: 8 mm, Depth: 16 mm, -40 °C...120 °C, IP66
GTIN (EAN)	4050118662467	
Qty.	25 ST	
Type	CABTITE BP 9MM PA	Version
Order No.	2652370000	Blind plug, Cabtite (cable entry system), Polyamide, white, Height: 16 mm, Width: 9 mm, Depth: 16 mm, -40 °C...120 °C, IP66
GTIN (EAN)	4050118662474	
Qty.	25 ST	
Type	CABTITE BP 10MM PA	Version
Order No.	2652380000	Blind plug, Cabtite (cable entry system), Polyamide, white, Height: 16 mm, Width: 10 mm, Depth: 16 mm, -40 °C...120 °C, IP66
GTIN (EAN)	4050118662481	
Qty.	25 ST	

Rectangular splitting stamp for heavy-duty connectors



Weidmüller punching tools should be your first choice for making cut-outs in your electrical cabinets!

- PG cable glands
- M cable glands
- Special cable glands

Not suitable for stainless steel!

CABTITE FRFT 24/10

Weidmüller Interface GmbH & Co. KG
Klingenbergstraße 26
D-32758 Detmold
Germany

www.weidmueller.com

Accessories

General ordering data

Type	KOK-112X36	Version	
Order No.	9204870000	Sheet holes	
GTIN (EAN)	4032248693801		
Qty.	1 ST		