

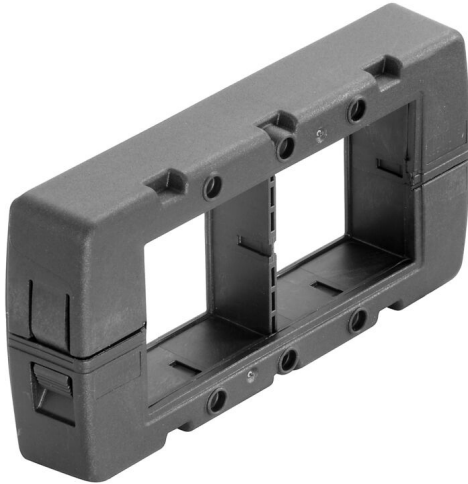
CABTITE FRFT 16/8**Weidmüller Interface GmbH & Co. KG**

Klingenbergstraße 26

D-32758 Detmold

Germany

www.weidmueller.com



The frame, fabricated from a single piece, is quick and easy to assemble and consists of dimensionally stable, fibre-glass reinforced plastic. The captive foamed seal guarantees effective IP66 sealing in accordance with DIN EN 60529, even on painted and rough surfaces.

General ordering data

Version	Frame, Cabtite (cable entry system), Polyamide, glass fibre-reinforced, Deep black, Height: 70 mm, Width: 81 mm, Depth: 19.6 mm, -40 °C...120 °C, IP66
Order No.	2891510000
Type	CABTITE FRFT 16/8
GTIN (EAN)	4064675880608
Qty.	1 items

CABTITE FRFT 16/8

Weidmüller Interface GmbH & Co. KG
 Klingenbergstraße 26
 D-32758 Detmold
 Germany

www.weidmueller.com

Technical data

Approvals

Approvals



ROHS	Conform
UL File Number Search	UL Website
Certificate No. (cURus)	E223801

Dimensions and weights

Depth	19.6 mm	Depth (inches)	0.7717 inch
Height	70 mm	Height (inches)	2.7559 inch
Width	81 mm	Width (inches)	3.189 inch
Net weight	79 g		

Temperatures

Operating temperature	-40 °C...120 °C
-----------------------	-----------------

Environmental Product Compliance

RoHS Compliance Status	Compliant without exemption
REACH SVHC	No SVHC above 0.1 wt%

General information

Tightening torque	3 Nm	Silicone	No
UL 94 flammability rating	V-0	Halogen	No, halogen-free
Protection degree	IP66	Basic material	Polyamide, glass fibre-reinforced
Sealing	TPE	Protection class (UL)	Type 12, Type 4X
Opening length	91 mm	Opening width	36 mm
Sealing element	2 large sealing elements or 4 small sealing elements or 1 large sealing element and 4 small sealing elements or 8 small sealing elements		

Classifications

ETIM 8.0	EC002624	ETIM 9.0	EC002624
ETIM 10.0	EC002624	ECLASS 14.0	27-18-28-15
ECLASS 15.0	27-18-28-15		

CABTITE FRFT 16/8

Weidmüller Interface GmbH & Co. KG
Klingenbergstraße 26
D-32758 Detmold
Germany

Drawings

www.weidmueller.com

