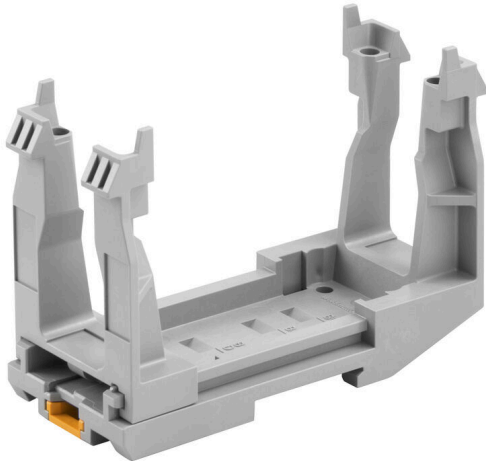


HDC RAILMATE BASIS N**Weidmüller Interface GmbH & Co. KG**

Klingenbergstraße 26

D-32758 Detmold

Germany

www.weidmueller.com

Currently, heavy-duty connectors are used wherever there is a need for a secure, simple and time-saving assembly of machinery and facilities. The connector housings are made of die-cast aluminium and offer excellent protection against dirt, moisture and mechanical stress. Special modular connectors make it possible to integrate signals, power supply and data connections into a single connector. With the RockStar® heavy-duty connectors, Weidmüller offers a product line with many patented innovations that is oriented towards the future. The RockStar® product line defines new standards with the comprehensive depth and width of its features. What other suppliers offer only as a custom configuration, Weidmüller supplies in its standard product line. As a result, selecting the proper connector is now easier than ever. You save both time and money. And your work flow is optimised. Thus you can strengthen your position on the market and leverage your competitive advantage

General ordering data

Version	Heavy-duty connectors, Accessories, Terminal rail mounting system
Order No.	2883430000
Type	HDC RAILMATE BASIS N
GTIN (EAN)	4064675848035
Qty.	1 items

HDC RAILMATE BASIS N

Weidmüller Interface GmbH & Co. KG
 Klingenbergstraße 26
 D-32758 Detmold
 Germany

www.weidmueller.com

Technical data

Approvals

ROHS	Conform
------	---------

Dimensions and weights

Net weight	35 g
------------	------

Environmental Product Compliance

RoHS Compliance Status	Compliant without exemption
REACH SVHC	No SVHC above 0.1 wt%

Version

Installation size	3, 4, 6, 8	Colour (RAL)	RAL 7042
BG	3, 4, 6, 8	Suitable for ModuPlug®	Yes

Classifications

ETIM 8.0	EC002943	ETIM 9.0	EC002943
ETIM 10.0	EC002943	ECLASS 14.0	27-44-02-92
ECLASS 15.0	27-44-02-92		

HDC RAILMATE BASIS N

Weidmüller Interface GmbH & Co. KG
Klingenbergstraße 26
D-32758 Detmold
Germany

Drawings

www.weidmueller.com

