

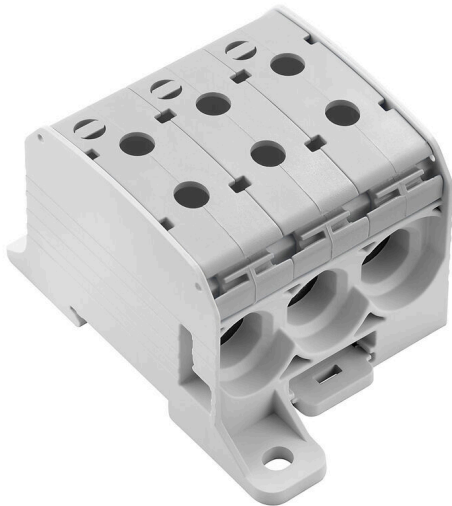
**WPD 331CC 3X95/3X95 GY****Weidmüller Interface GmbH & Co. KG**

Klingenbergstraße 26

D-32758 Detmold

Germany

www.weidmueller.com



Klippon® Connect power feed-in terminal blocks WPD allow for an easy and safe installation of aluminium and copper conductors on a small footprint. A power supply or monitoring connection can also be used as an option. Customers can use the power feed-in terminal blocks WPD, regardless of the conductor material. They can be mounted either directly or on DIN rail TS35.

**General ordering data**

Version	Potential distributor terminal, Screw connection, Light Grey, 95 mm <sup>2</sup> , 232 A, 1000 V, Number of connections: 6, Number of levels: 1
Order No.	<a href="#">2874560000</a>
Type	WPD 331CC 3X95/3X95 GY
GTIN (EAN)	4064675648482
Qty.	1 items

## WPD 331CC 3X95/3X95 GY

**Weidmüller Interface GmbH & Co. KG**  
 Klingenbergstraße 26  
 D-32758 Detmold  
 Germany

www.weidmueller.com

## Technical data

## Approvals

Approvals



ROHS	Conform
UL File Number Search	<a href="#">UL Website</a>
Certificate No. (cURus)	E60693

## Dimensions and weights

Depth	57 mm	Depth (inches)	2.2441 inch
Height	95 mm	Height (inches)	3.7401 inch
Width	68.6 mm	Width (inches)	2.7008 inch
Net weight	76 g		

## Temperatures

Storage temperature	-25 °C...55 °C	Ambient temperature	-50 °C...75 °C
Continuous operating temp., min.	-50 °C	Continuous operating temp., max.	120 °C

## Environmental Product Compliance

RoHS Compliance Status	Compliant without exemption
REACH SVHC	No SVHC above 0.1 wt%

## Material data

Basic material	Wemid	Colour	Light Grey
UL 94 flammability rating	V-0		

## System specifications

Version	Screw connection	End cover plate required	No
Number of potentials	1	Number of levels	1
Number of clamping points per level	6	Number of potentials per tier	1
Levels cross-connected internally	No	Mounting rail	TS 35, Mounting plate
N-function	No	PE function	No
PEN function	No		

## Additional technical data

Open sides	closed	Snap-on	Yes
Explosion-tested version	No	Type of mounting	Snap-on

## Conductors for clamping (additional connection)

Connection type, additional connection Screw connection

## Conductors for clamping (rated connection)

Wire connection cross section AWG, max.	AWG 3/0	Connection direction	on side
Stripping length	26 mm	Type of connection 2	Screw connection
Type of connection	Screw connection	Number of connections	6
Clamping range, max.	95 mm <sup>2</sup>	Clamping range, min.	10 mm <sup>2</sup>

## WPD 331CC 3X95/3X95 GY

**Weidmüller Interface GmbH & Co. KG**

Klingenbergstraße 26  
D-32758 Detmold  
Germany

www.weidmueller.com

## Technical data

Clamping screw	M 14	Wire connection cross section AWG, min.	AWG 16
Wire connection cross-section, finely stranded with wire-end ferrules DIN 46228/4, min.	10 mm <sup>2</sup>	Wire connection cross-section, finely stranded with wire-end ferrules DIN 46228/1, max.	70 mm <sup>2</sup>
Wire connection cross-section, finely stranded with wire-end ferrules DIN 46228/1, min.	10 mm <sup>2</sup>	Wire connection cross section, finely stranded, max.	95 mm <sup>2</sup>
Wire connection cross section, finely stranded, min.	10 mm <sup>2</sup>	Connection cross-section, stranded, max.	95 mm <sup>2</sup>
Connection cross-section, stranded, min. 10 mm <sup>2</sup>		Wire connection cross-section, solid core, max.	95 mm <sup>2</sup>
Wire connection cross-section, solid core, min.	10 mm <sup>2</sup>		

### General

Number of poles	1	Wire connection cross section AWG, max.	AWG 3/0
Wire connection cross section AWG, min.	AWG 16	Standards	IEC 60947-7-1
Mounting rail	TS 35, Mounting plate		

### Rating data

Rated cross-section	95 mm <sup>2</sup>	Rated voltage	1000 V
Rated AC voltage	1000 V	Rated DC voltage	1000 V
Nominal current	232 A	Current at maximum wires	232 A
Standards	IEC 60947-7-1	Volume resistance according to IEC 60947-7-x	0.14 mΩ
Rated impulse withstand voltage	8 kV	Power loss in accordance with IEC 60947-7-x	7.42 W
Short-time withstand current resistance	8/20μs with 50 kA	Surge voltage category	III
Pollution severity	3		

### UL rating data

Certificate No. (cURus)	E60693
-------------------------	--------

### Classifications

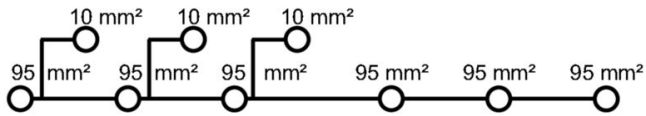
ETIM 8.0	EC000897	ETIM 9.0	EC000897
ETIM 10.0	EC000897	ECLASS 14.0	27-25-01-19
ECLASS 15.0	27-25-01-19		

WPD 331CC 3X95/3X95 GY

Weidmüller Interface GmbH & Co. KG  
 Klingenbergstraße 26  
 D-32758 Detmold  
 Germany

Drawings

www.weidmueller.com



**Conductor connection data according to IEC 60947-1 (Cu)**

Input (x1) / Output (x1)	Copper		Aluminum	
	Stranded	Solid	Flexible with ferrule	Sector shaped
95 mm²				
70 mm²				
50 mm²	19 Nm	19 Nm	22,8 Nm	22,8 Nm
35 mm²				
25 mm²				
16 mm²	14 Nm	14 Nm		
10 mm²				
max. current with 2 x 95 mm² (acc. to IEC)	464 A		200 A	
Stripping lengths	35 mm			
Allen screw	M14 (SW 6 mm)			

**Auxiliary connection**

	Copper	
	Stranded	Solid
10 mm²		
6 mm²		
4 mm²	1,2 Nm	1,2 Nm
2,5 mm²		
1,5 mm²		
max. current	57 A	
Stripping lengths	10 mm	
screw	M4 (+/- PZ2)	

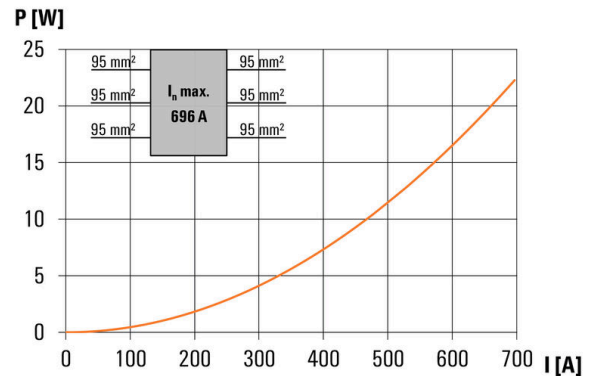
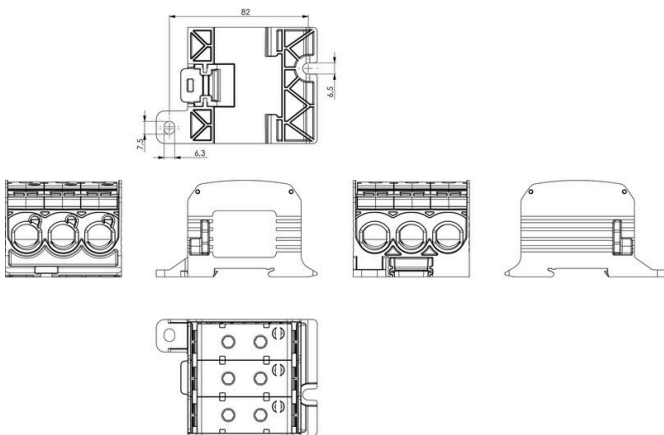
**Conductor connection data according to UL 1059 (Al+Cu)**

Input (x1) / Output (x1)	Copper		Aluminum	
	Stranded	Solid	Flexible with ferrule	Sector shaped
ANSI 3/0				
ANSI 2/0				
ANSI 1/0	200 lb In.	200 lb In.	200 lb In.	123 lb In.
ANSI 2				
ANSI 4				
ANSI 6				
max. current at 1 x 95 mm² (acc. to UL)	200 A		155 A	
Stripping lengths	28 mm			
Allen screw	M14 (SW 6 mm)			

**Auxiliary connection**

	Copper	
	Stranded	Solid
ANSI 8		
ANSI 10		
ANSI 12	20.3 lb In.	20.3 lb In.
ANSI 14		
ANSI 16		
max. current	57 A	
Stripping lengths	10 mm	
screw	M4 (+/- PZ2)	



## WPD 331CC 3X95/3X95 GY

**Weidmüller Interface GmbH & Co. KG**  
Klingenbergstraße 26  
D-32758 Detmold  
Germany

www.weidmueller.com

## Accessories

### Cover



Our systems for touch protection ensure greater safety in your cabinet. They provide protection against electric shock caused by accidental contact with live parts due to operation or faults.

### General ordering data

Type	WPDPC X31 GY	Version	
Order No.	<a href="#">2503370000</a>	Version	Cover hood (terminal), Wemid
GTIN (EAN)	4050118533330		
Qty.	20 ST		

### Blank



The Dekafix (DEK) marker is the universal marker for all conductor and plug-in connectors as well as for electronic sub-assemblies. The system is ideal for short number sequences and covers a wide range of ready-printed markers.

Strips for fast installation in only one work step. The printing is easy to read, rich in contrast and available in various widths.

- Large range of ready-to-use markers
  - Strips for fast installation
  - Terminal markers, suitable for all Weidmüller cable connectors
  - Available as blank MultiCard or with standard printing
- For custom printing: Please send us a file of our labeling software M-Print PRO or M-Print PRO Online (without installation) for your labeling specifications.

### General ordering data

Type	DEK 5/5 MC NE WS	Version	
Order No.	<a href="#">1609801044</a>	Version	Dekafix, Terminal marker, 5 x 5 mm, Pitch in mm (P): 5.00
GTIN (EAN)	4008190397111		Weidmueller, white
Qty.	1000 ST		

### Socket wrench sets

Allen key made from fully hardened, high-alloy chromium-vanadium- steel, acc. to DIN ISO 2936 L (DIN 911), high-quality refined surface.



## WPD 331CC 3X95/3X95 GY

**Weidmüller Interface GmbH & Co. KG**  
 Klingenbergstraße 26  
 D-32758 Detmold  
 Germany

www.weidmueller.com

## Accessories

### General ordering data

Type	SK WSD-S 1,5-10,0	Version
Order No.	<a href="#">9008850000</a>	Mounting tool
GTIN (EAN)	4032248266609	
Qty.	1 ST	
Type	SKS 2,0-8,0 MR	Version
Order No.	<a href="#">9008870000</a>	socket wrenches
GTIN (EAN)	4032248266623	
Qty.	1 ST	

### Marker holder



The marker holder offer the possibility of additional mounting of standard markers with a pitch of 5 or 5.1 mm. The angled holders can be optionally snapped together and could be mounted in all standard marking channels of the Klippon® Connect modular terminal blocks. Fitting marker types could be found under the respective accessories of the designation marking holder.

### General ordering data

Type	BZT 1 WS 10/5	Version
Order No.	<a href="#">1805490000</a>	Accessories, Marker holder
GTIN (EAN)	4032248270231	
Qty.	100 ST	
Type	BZT 1 ZA WS 10/5	Version
Order No.	<a href="#">1805520000</a>	Accessories, Marker holder
GTIN (EAN)	4032248270248	
Qty.	100 ST	