



SPElink®

Service interface FrontCom® Micro with SPE coupling acc. to IEC 63171-2 in IP65

Single pair Ethernet is a technology that only requires one pair of wires to transmit data and power.

The resulting benefits will make SPE the preferred network at the field level and beyond. Advantages of Single Pair Ethernet

- Consistent: Single Pair Ethernet enables uniform Ethernet-based communication from the sensor to the cloud
- Future-proof: key technology for Industry 4.0 and IIoT
- Flexible: ranges of up to 1000 m and transmission properties of up to 1 Gbps enable use across applications
- Innovative: lighter, less space required, and reduced installation effort

General ordering data

Version	FrontCom Micro SPE coupling, 2-core
Order No.	2870820000
Type	IE-FCM-SP0-C
GTIN (EAN)	406467563529 1
Qty.	10 items

IE-FCM-SP0-C

Weidmüller Interface GmbH & Co. KG

Klingenbergstraße 26

D-32758 Detmold

Germany

www.weidmueller.com

Technical data

Approvals

ROHS	Conform
------	---------

Dimensions and weights

Depth	42.9 mm	Depth (inches)	1.689 inch
Height	44 mm	Height (inches)	1.7323 inch
Width	29.5 mm	Width (inches)	1.1614 inch
Wall thickness, min.	1 mm	Wall thickness, max.	5 mm
Net weight	17.02 g		

Temperatures

Storage temperature	Operating temperature	-40 °C...70 °C
Installation temperature		

Environmental Product Compliance

RoHS Compliance Status	Compliant without exemption
REACH SVHC	No SVHC above 0.1 wt%

General data

Tightening torque fixing nut	2.0 Nm	Connection 1	SPE socket acc. to IEC 63171-2
Connection 2	SPE socket acc. to IEC 63171-2	Description of article	FrontCom Micro SPE coupling
Wiring	2-core	Colour	black
Housing main material	PA UL 94 V0	Category	T1-B
Contact surface	Gold over nickel	Type of mounting	Cabinet, Distribution box
Shielding	360°; shield contact	Protection degree	IP65, in closed state
Plugging cycles	750		

Electrical properties

Dielectric strength, contact / shield	2250 V DC	Dielectric strength, contact / contact	≥ 1000 V DC
Rated current	3.5 A at 0°C	PoE / PoE+	PoDL acc. to IEEE 802.3bu / cg

General standards

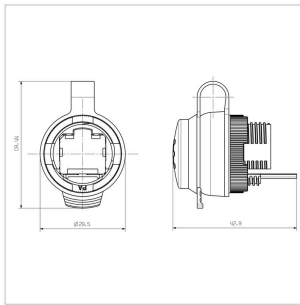
Connector standard	IEC 63171-2
--------------------	-------------

Classifications

ETIM 8.0	EC001031	ETIM 9.0	EC001031
ETIM 10.0	EC001031	ECLASS 14.0	27-18-28-92
ECLASS 15.0	27-18-28-92		

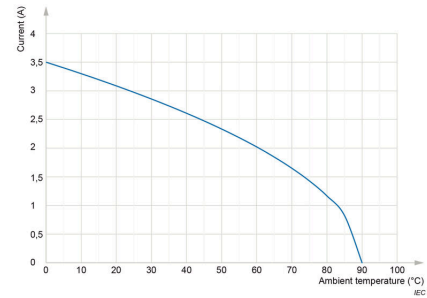
Drawings

Dimensioned drawing



Derating curve

Level I gem. IEC 63171



Installation cut-out

